

Data sheet

Commercial Art.No.: 57.504.1055.0

Feed-through terminal WK 4 / U F1/V0

Feed-through DIN rail terminal block with screw connection for mounting on TS 35 and TS 32, nominal cross section 4 mm², width 6 mm, color gray



Commercial Art.No.	57.504.1055.0
EAN	4015573605107
Order Unit	100

Certificates / Approvals



Technical data

General

Nominal cross section	4 mm ²
Color	Grey
Number of levels	1
Number of clamp positions per level	2
Width/grid dimension	6 mm
Insulating housing	PA666
Inflammability class of insulation material acc. with UL94	V0
Explosion-tested version "Ex e"	No
Mounting method	DIN rail (top hat rail)/G-rail
Terminal blocks for electrical installations	yes

Technical data

Rated current	32 A
Rated voltage	400 V
Rated impulse voltage	6 kV
Pollution degree	3
Closing plate required	yes
Type of insulation material	Thermoplastic
Length	53.5 mm

Connection Data

Connection type 1	Soldering flag connection
Connection type 2	screw connection
Minimum cross section solid	0.5 mm ²
Maximum cross section solid	6 mm ²
Minimum cross section fine stranded	0.5 mm ²
Maximum cross section fine stranded	4 mm ²
Wire strip length	9 mm
Torque conductor mounting	0.5 Nm

Technical Data UL/CSA

Cross section UL	22-10 AWG
------------------	-----------

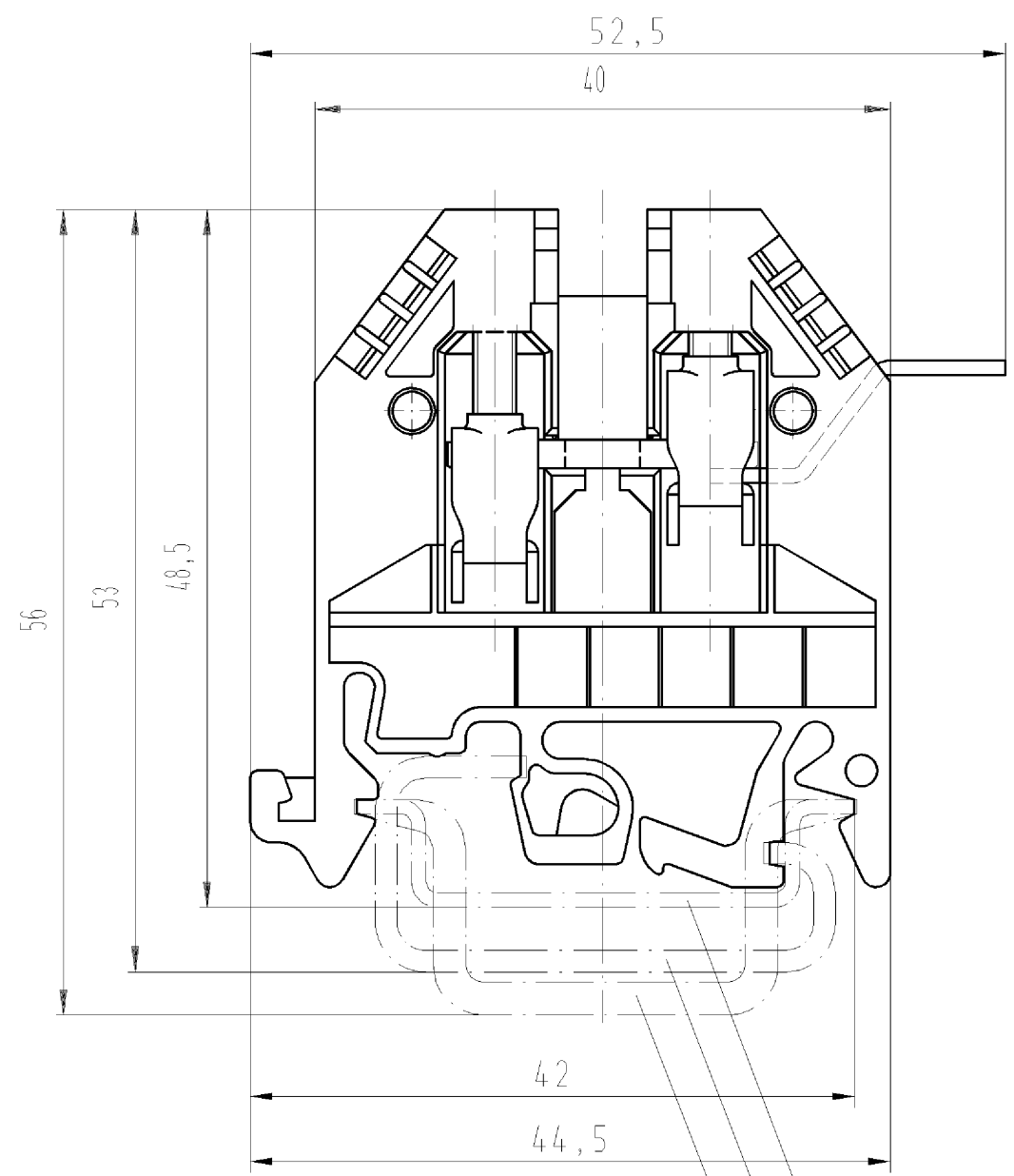
Voltage UL	300 V
Current factory wiring	30 A
Current field wiring	30 A
Cross section CSA	22-10 AWG
Voltage CSA	300 V
Current CSA	20 A

Classification

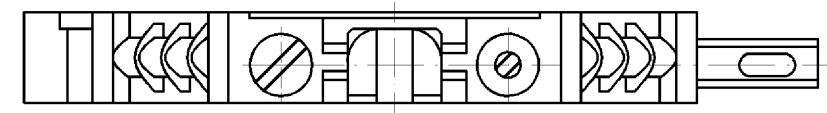
ECLASS 11	
ECLASS 8.1	27141120
ETIM 7.0	EC000897
ETIM 6.0	EC000897
ETIM 5.0	EC000897
ETIM 4.0	EC000897
ETIM 3.0	EC000897

Accessories

Commercial Art.No.:	Article-type description:	Description:
Z7.281.1227.0	Insulated jumper bar IVBWK 4 - 2	Cross connector, insulated for DIN rail terminal blocks type WK ..., 2 - pole
Z7.281.1327.0	Insulated jumper bar IVBWK 4 - 3	Cross connector, insulated for DIN rail terminal blocks type WK ..., 3 - pole
Z7.281.1427.0	Insulated jumper bar IVBWK 4 - 4	Cross connector, insulated for DIN rail terminal blocks type WK ..., 4 - pole
Z7.281.1527.0	Insulated jumper bar IVBWK 4 - 5	Cross connector, insulated for DIN rail terminal blocks type WK ..., 5 - pole
Z7.281.1627.0	Insulated jumper bar IVBWK 4 - 6	Cross connector, insulated for DIN rail terminal blocks type WK ..., 6 - pole
Z7.281.1727.0	Insulated jumper bar IVBWK 4 - 7	Cross connector, insulated for DIN rail terminal blocks type WK ..., 7 - pole
Z7.281.1827.0	Insulated jumper bar IVBWK 4 - 8	Cross connector, insulated for DIN rail terminal blocks type WK ..., 8 - pole
Z7.281.1927.0	Insulated jumper bar IVBWK 4 - 9	Cross connector, insulated for DIN rail terminal blocks type WK ..., 9 - pole
Z7.281.2027.0	Insulated jumper bar IVBWK 4 - 10	Cross connector, insulated for DIN rail terminal blocks type WK ..., 10 - pole
Z7.281.2127.0	Insulated jumper bar IVBWK 4 - 11	Cross connector, insulated for DIN rail terminal blocks type WK ..., 11 - pole
Z7.281.2227.0	Insulated jumper bar IVBWK 4 - 12	Cross connector, insulated for DIN rail terminal blocks type WK ..., 12 - pole



- Hutschiene EN 60715-35x7,5
mounting rail EN 60715-35x7,5
- G-Schiene EN 60715-G 32
g-rail EN 60715-G 32
- Hutschiene EN 60715-35x15
mounting rail EN 60715-35x15



Weitere Daten siehe Katalog
further data see catalog

Freitoleranz nach DIN -		CAD - Zeichnung, keine manuellen Änderungen			1. Verwendung: -		Bl.: 1 von 1	
	/	Maßstab			2005	Tag	Name	
	/	2:1			Entworfen	17.03.	Schmitt J.	
	/				Geprüft	-	-	
	/				Normgepr.	-	-	
	/	 wieland Elektrische Verbindungen		Benennung		Ersatz für: -		
	/			Typ	DURCHGANGSKLEMME			
Buchstabe	Datum / Blatt			WK4/U F1		mit Lötanschluß		
Änderung				modular terminal with solder connection				

○ Diese Maße werden bei Abnahme besonders geprüft
 ○ Ausschließlich Prüfmaße
 ○ Mit /E gekennzeichnete Maße sind nur für interne Zwecke gültig

Weitergabe sowie Vervielfältigung dieses Dokuments, Verwertung und Mitteilung seines Inhalts sind verboten, soweit nicht ausdrücklich gestattet.
 The reproduction, distribution and utilization of this document as well as the communication of its contents to others without express authorization is prohibited.

A
1
2
3
4
5
6
7
8
9
10
11
12
13
14
15
16
17
18
19
20
M1
M2
M3
L
G
1
1.1
2.1
1.1
575041055001K_4_CAD/028_Schmitt_2005-03-21T07:02:53_1.000