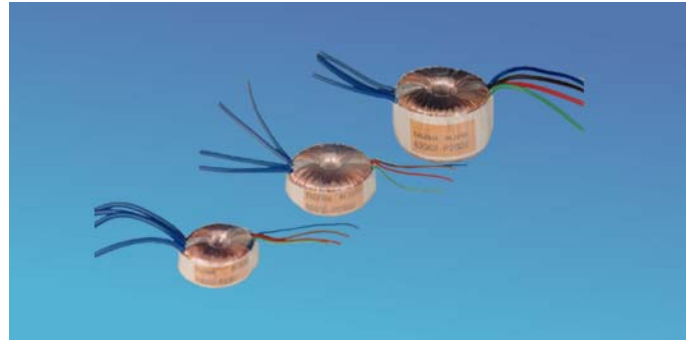


Standard Miniature Toroidal Transformers

Features

- Tapped 0-115-230V, 50/60Hz Primary windings suitable for 115V or 230V
- Lower strayfield
- High efficiency
- Reduced standby current
- Small size & low weight
- Extremely low level of radiated magnetic field
- Very low induced noise (hum)
- Very low iron loss
- Test Voltage Primary - Secondary 4.0 KV
- 100% electrical and flash tested
- Ambient operating temp.: +60°C Max.
- Insulation system recognized for Class A (105°C) meets all requirements of Class E (120°C)
- Manufactured in an ISO 9001:2015 and ISO 14001:2015 certified Talema facility
- Fully RoHS & REACH Compliant



Standards

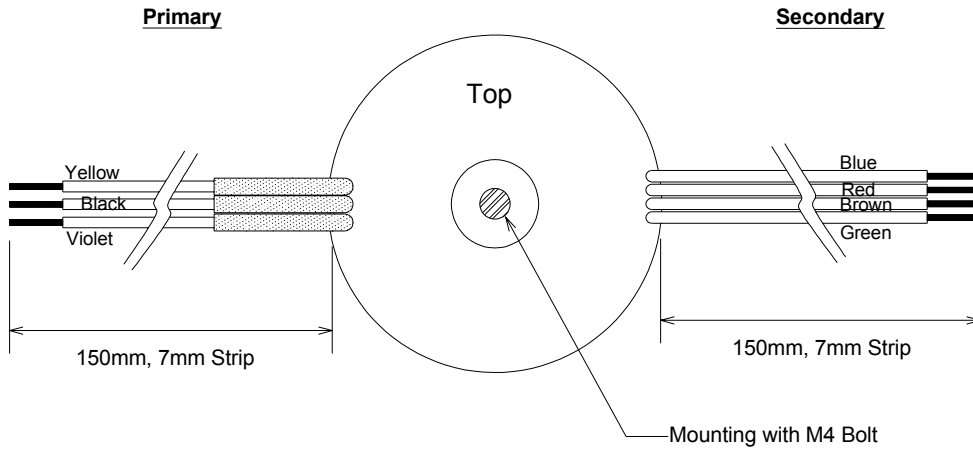
- High quality manufacturing and testing in accordance to EN61558, EN60950, EN60065 and BS415
- Tested and Approved by DEKRA to EN61558
- Recognized to UL5085, under family approval file E215495

Power VA	Part Number 0 - 115 - 230V Primary	Secondary Full Load Voltage V	Secondary Current mA	Open Circuit Voltage V
1.6	60000	2 x 7	114	2 x 8.9
	60001	2 x 9	89	2 x 11.6
	60002	2 x 12	67	2 x 15.4
	60003	2 x 15	53	2 x 19.3
	60004	2 x 18	44	2 x 23.4
	60005	2 x 22	36	2 x 28.2
3.2	60010	2 x 7	229	2 x 10.2
	60011	2 x 9	178	2 x 13.0
	60012	2 x 12	133	2 x 17.3
	60013	2 x 15	107	2 x 21.4
	60014	2 x 18	89	2 x 25.7
	60015	2 x 22	73	2 x 30.5
5.0	60020	2 x 7	357	2 x 9.7
	60021	2 x 9	278	2 x 12.4
	60022	2 x 12	208	2 x 17.0
	60023	2 x 15	167	2 x 21.3
	60024	2 x 18	139	2 x 25.5
	60025	2 x 22	114	2 x 30.5
7.0	60030	2 x 7	500	2 x 9.5
	60031	2 x 9	389	2 x 12.2
	60032	2 x 12	292	2 x 16.2
	60033	2 x 15	233	2 x 20.3
	60034	2 x 18	194	2 x 24.3
	60035	2 x 22	159	2 x 29.7
10	60040	2 x 7	714	2 x 8.3
	60041	2 x 9	556	2 x 10.8
	60042	2 x 12	417	2 x 14.4
	60043	2 x 15	333	2 x 18.0
	60044	2 x 18	278	2 x 21.7
	60045	2 x 22	227	2 x 26.3

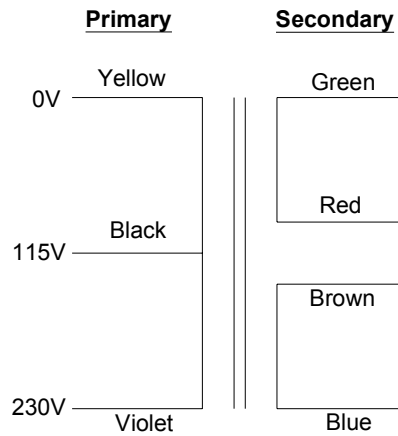
Power VA	Part Number 0 - 115 - 230V Primary	Secondary Full Load Voltage V	Secondary Current mA	Open Circuit Voltage V
15	60050	2 x 7	1071	2 x 8.9
	60051	2 x 9	833	2 x 11.1
	60052	2 x 12	625	2 x 14.8
	60053	2 x 15	500	2 x 18.5
	60054	2 x 18	417	2 x 22.2
	60055	2 x 22	341	2 x 27.2
25	60060	2 x 7	1785	2 x 8.3
	60061	2 x 9	1377	2 x 10.7
	60062	2 x 12	1041	2 x 14.2
	60063	2 x 15	832	2 x 17.8
	60064	2 x 18	694	2 x 21.4
	60065	2 x 22	568	2 x 26.2
35	60070	2 x 7	2500	2 x 8.2
	60071	2 x 9	1944	2 x 10.6
	60072	2 x 12	1458	2 x 14.0
	60073	2 x 15	1166	2 x 17.6
	60074	2 x 18	972	2 x 20.9
	60075	2 x 22	795	2 x 25.7
50	60080	2 x 7	3571	2 x 8.1
	60081	2 x 9	2777	2 x 10.4
	60082	2 x 12	2083	2 x 13.8
	60083	2 x 15	1666	2 x 17.3
	60084	2 x 18	1388	2 x 20.7
	60085	2 x 22	1136	2 x 25.4

Standard Miniature Toroidal Transformers

Mechanical Drawing - 600xx Series (0-115V-230V Primary)



Schematic



Standard Output (Electrical measurements @ 20°C ambient temperature)

Power VA	Dimensions OD x ID x H mm	Weight grams	No Load Regulation Delta Volts (%)	Delta Temp Å °C	Efficiency %	No Load mA (typ.)	230V Fuse mA	Secondary Power (Max.)				
								VA	Delta Volts Sec. %	Delta Temp Å °C	Efficiency %	Rec. Fuse mA
1.6	37.5x7.0x17.0	71	29	10	77	1.0	32	2.0	60	30	60	32
3.2	42.0x7.0x17.5	89	41	20	70	1.5	32	3.7	80	40	50	50
5.0	47.0x6.0x18.0	115	45	29	70	2.0	50	5.5	80	40	50	63
7.0	47.0x6.8x21.5	145	34	25	74	3.0	63	7.5	70	40	60	80
10	53.5x6.8x23.5	216	20	24	82	3.0	80	12.0	60	45	60	100
15	57.5x7.0x24.0	262	23	27	81	4.0	100	16.0	60	40	65	125
25	58.0x13.8x34.5	388	19.0	28	84	5.0	160	--	--	--	--	--
35	72.0x17.0x33.5	453	17.7	31	85	7.0	200	--	--	--	--	--
50	78.0x22.5x35.0	670	15.5	30	86	8.0	315	--	--	--	--	--

Regional Locations - Design, Manufacturing, Sales & Marketing

Talema Group Regional Offices

North America

**United States
(Sales & Marketing)**

Talema Group, LLC
 PO Box 935
 900 Innovation Drive
 Suite 120, Rolla
 Missouri 65402
 Tel: +1 573-303-3675
 E-Mail:
 sales@talemagroup.com
 Web: www.talema.com

Asia

**India
(Design, Manufacturing, Sales & Marketing)**

Administrative Office
Talema Electronic India Private Limited
 Door No. 221, 1st and 2nd Floor
 KJ Plaza, Opp.to Vidya Mandir School
 Meyanoor Main Road
 Salem - 636 004 Tamil Nadu INDIA
 Tel: +91 427 - 243 3100
 Fax: +91 427 - 243 3109
 E-Mail: talema@talemaindia.net
 Web: www.talema.com

Factory Premises
Talema Electronic India Private Limited
 Plot Nos. 30, 31 Electrical and Electronic
 Industrial Estate
 Suramangalam
 Salem - 636 005 Tamil Nadu INDIA
 Tel: +91 427 - 243 3000
 E-Mail: talema@talemaindia.net
 Web: www.talema.com

Europe

**Germany
(Design, Sales & Marketing)**

Talema Elektronik GmbH
 Sembdnerstr. 5
 82110 Germering
 Tel: +49 89 - 841 00 - 0
 Fax: +49 89 - 841 00 25
 E-Mail: info@talema.de
 Web: www.talema.com

**Ireland
(Design, Sales & Marketing)**

Nuvotem TEO
 Units W & X, Gweedore Business Park
 Derrybeg, Letterkenny, Co. Donegal
 Tel: +353 (0) 74 95 48666
 Fax: +353 (0) 74 95 48139
 E-Mail: info@nuvotem.com
 Web: www.nuvotem.com

**Czech Republic
(Design, Manufacturing, Sales & Marketing)**

NT Magnetics s.r.o.
 Chebská 27
 322 00 Plzeň
 Tel: +420 377 - 338 351
 Fax: +420 377 - 338 350
 E-Mail: talema@talema.cz
 Web: www.ntmagnetics.cz

Locations of Talema Group Regional Offices

