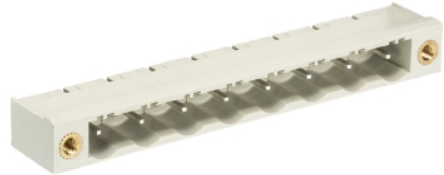


## Data sheet

Commercial Art.No.: 25.398.2253.0

PCB pin header 8413 S / 2 WF OB

PCB pin header with pin header, connection method depends on used socket part , 2 poles, pitch: 7.62 mm, type of packing: carton, color: grey



Commercial Art.No.	25.398.2253.0
EAN	4015573201644
Order Unit	100

Certificates / Approvals



## Technical data

### General

Modular spacing	7.62 mm
Soldering process	Wave soldering
Packaging	Carton
Number of poles	2
Number of levels	1
Marking	No
Fastening	Flange
Mating direction towards (circuit) board	180°

### Technical data

Rated current	12 A
Overvoltage Category I	1000 V
Overvoltage Category II	690 V
Overvoltage Category III	400 V
Rated impulse voltage	6 kV

### Technical Data UL/CSA

Voltage UL	300 V
Current field wiring	15 A
Current factory wiring	15 A
Voltage CSA	300 V
Current CSA	15 A

### Other

Type of insulation material	Thermoplastic
Color	Grey
Height	8.4 mm
Length	25.66 mm
Depth	12 mm
Material contact base	CuZn

Material contact surface	Sn
--------------------------	----

**Classification**

ECLASS 8.1	27440402
ETIM 7.0	EC002637
ETIM 6.0	EC002637
ETIM 5.0	EC002637
ETIM 4.0	EC002637

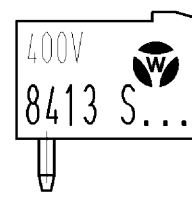
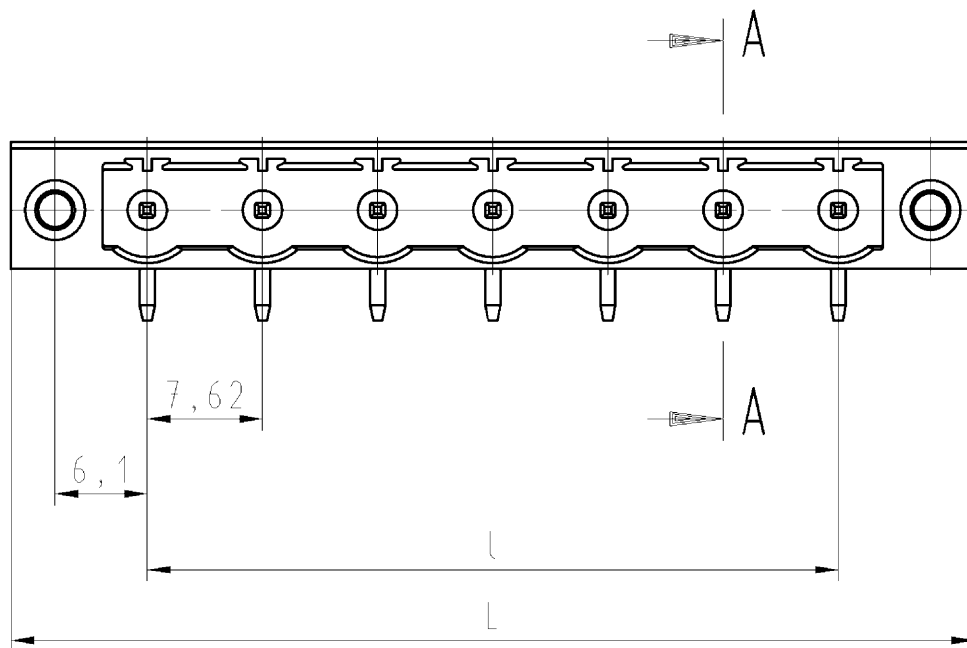
**Product compliance**

ROHS conformity status	Compliant/Exempted
ROHS exceptions	III-6(c)
REACH-SVHC conformity status	Duty-To-Declare
REACH-SVHC substances	Lead
REACH-SVHC CAS numbers	7439-92-1

**Fits with**

Commercial Art.No.:	Article-type description:	Description:
25.324.6253.0	PCB connector 8413 B / 2 F OB	PCB female connector with screw connection with rising cage clamp system, 2 poles, max. cross section: 2.5 mm <sup>2</sup> , pitch: 7.62 mm, type of packing: carton, color: grey
25.324.4253.0	PCB connector 8413 B / 2 F	PCB female connector with screw connection with rising cage clamp system, 2 poles, printed version, max. cross section: 2.5 mm <sup>2</sup> , pitch: 7.62 mm, type of packing: carton, color: grey
25.881.3253.0	PCB connector 8413 BFK / 2 TOP F OB	PCB female connector with tension spring connection, 2 poles, max. cross section: 2.5 mm <sup>2</sup> , pitch: 7.62 mm, type of packing: carton, color: grey
25.881.0253.0	PCB connector 8413 BFK / 2 TOP F	PCB female connector with tension spring connection, 2 poles, printed version, max. cross section: 2.5 mm <sup>2</sup> , pitch: 7.62 mm, type of packing: carton, color: grey

These dimensions will be especially checked at delivery  
 Only inspection dimensions  
 With /E marked dimensions are only valid for internal use

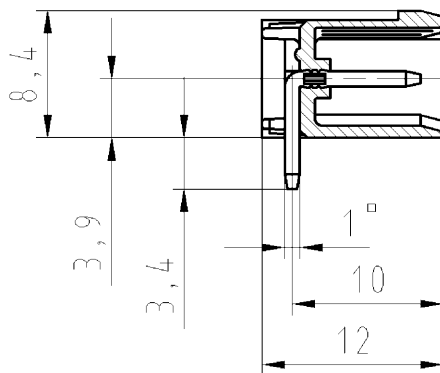


Weitergabe sowie Vervielfältigung dieses Dokuments, Verwertung und Mitteilung seines Inhalts sind verboten, soweit nicht ausdrücklich gestattet. Die Reproduktion, Distribution und Utilization of this document as well as the communication of its contents to others without express authorization is prohibited.

**Schnitt A-A**  
 section A-A

gezeichnete Ausführung:  
7-polig

Diese Maße werden bei Abnahme besonders geprüft  
 Ausschließlich Prüfmaße  
 Mit /E gekennzeichnete Maße sind nur für interne Zwecke gültig



gezeichnete Ausführung:  
7-polig

Farbe/colour	.F
grau /grey	.0
schwarz/black	.1
grün/green	.7

Weitere Daten siehe Katalog  
 further data see catalog

Artikel-Nr. part number	Pol-Z pole	L	l	Typ type
25.398.2253.F	2	25,66	7,62	8413 S/ 2WF OB
25.398.2353.F	3	33,25	15,24	8413 S/ 3WF OB
25.398.2453.F	4	40,90	22,86	8413 S/ 4WF OB
25.398.2553.F	5	48,52	30,48	8413 S/ 5WF OB
25.398.2653.F	6	56,14	38,10	8413 S/ 6WF OB
25.398.2753.F	7	63,76	45,72	8413 S/ 7WF OB
25.398.2853.F	8	71,38	53,34	8413 S/ 8WF OB
25.398.2953.F	9	79,00	60,96	8413 S/ 9WF OB
25.398.3053.F	10	86,62	68,58	8413 S/ 10WF OB
25.398.3153.F	11	94,24	76,20	8413 S/ 11WF OB
25.398.3253.F	12	101,86	83,82	8413 S/ 12WF OB

Tolerierung nach DIN 7167/Tolerance system acc. to DIN 7167.  
 (This DIN-standard describes the envelope principle. According to the envelope principle the deviations of form and parallelism are limited by the size tolerances).

ja/yes  Stoffverbots- und Deklarationsliste nach UU-TQM-05/03 ist einzuhalten.  
 Conformity with Wieland document UU-TQM-05/03 (list of prohibited / declarable hazardous substances) to be declared!

Freitoleranz nach DIN ISO 2768 - m CAD - Zeichnung, keine manuellen Änderungen I.Verwendung: - Blatt: 1 von 1  
 General tolerance CAD - drawing, no manual modifications allowed First Use: Sheet: of

Index	Datum / Blatt Date / Sheet	Werkstoff/Material	2011	Tag/Date	Name	Zeichnung Nr./Drawing No.	Index
			gezeichnet drawn	29.11.	Schmitt J.		
Änderung/Revision	Maßstab/Scale	Vol.	mm <sup>3</sup>	Öl./Surf.	mm <sup>2</sup>	Ersatz für/Replacement for: -	Maße in mm/Dimensions are in mm
wieland		Type		Benennung/Tittle		LP_STIFTLISTE	
Elektrische Verbindungen		Typ		8413 S/..		Rastermaß/pitch 7,62	
		WF OB				PCB header	

253982253001K\_2 CADWZ035 Schmitt 2011-11-29 10:19:46 1:000