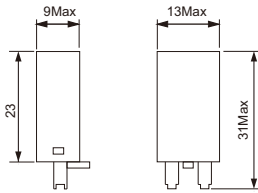




DMD


Features

- Peak voltage inhibit, over voltage protection, voltage indicator.
- Green product **RoHS**.

DMD-ML 1-D24-00A (H)

Product Category: DMD, DND

Function option:

L: LED; ML: Varistor+LED

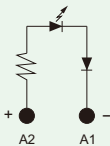
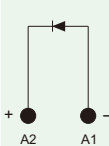
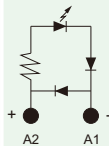
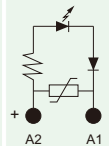
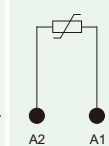
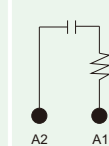
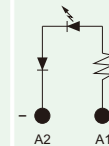
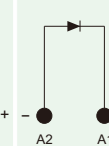
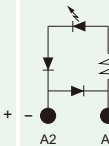
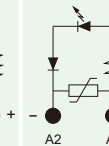
LD: LED+diode; M: Varistor

RC: Resistance capacity; D: diode

Direction of current: Blank: A1-; 1: A1+

Voltage: See table corresponding

RoHS: H

Function	L	D	LD	ML	M	RC	L1	D1	LD1	ML1
Wiring diagrams										
Voltage option	6-24V	6-250VDC	6-24VDC	24V	24V	6-24VDC	6-24V	6-250VDC	6-24VDC	24V
	110-240V		110/240VDC	120V	120V	110/240VDC	110-240V		110/240VDC	120V
				240V	240V					240V