

## Data sheet

Commercial Art.No.: 25.358.3853.0

PCB pin header 8213 S / 8 WF OB

PCB pin header, connection method depends on used socket part , 8 poles, pitch: 5.08 mm, type of packing: carton, color: grey



|                    |               |
|--------------------|---------------|
| Commercial Art.No. | 25.358.3853.0 |
| EAN                | 4015573195332 |
| Order Unit         | 50            |

Certificates / Approvals



## Technical data

### General

|  |                |
|--|----------------|
| Modular spacing                          | 5.08 mm        |
| Soldering process                        | Wave soldering |
| Packaging                                | Carton         |
| Number of poles                          | 8              |
| Number of levels                         | 1              |
| Marking                                  | No             |
| Fastening                                | Flange         |
| Mating direction towards (circuit) board | 180°           |

### Technical data

|                          |        |
|--------------------------|--------|
| Rated current            | 12 A   |
| Overvoltage Category I   | 1000 V |
| Overvoltage Category II  | 400 V  |
| Overvoltage Category III | 250 V  |
| Rated impulse voltage    | 4 kV   |

### Technical Data UL/CSA

|                        |       |
|------------------------|-------|
| Voltage UL             | 300 V |
| Current field wiring   | 15 A  |
| Current factory wiring | 15 A  |
| Voltage CSA            | 300 V |
| Current CSA            | 15 A  |

### Other

|                             |               |
|-----------------------------|---------------|
| Type of insulation material | Thermoplastic |
| Color                       | Grey          |
| Height                      | 8.4 mm        |

|                          |         |
|--------------------------|---------|
| Length                   | 50.8 mm |
| Depth                    | 12 mm   |
| Material contact base    | CuZn    |
| Material contact surface | Sn      |

#### Classification

|            |          |
|------------|----------|
| ECLASS 11  |          |
| ECLASS 8.1 | 27440402 |
| ETIM 7.0   | EC002637 |
| ETIM 6.0   | EC002637 |
| ETIM 5.0   | EC002637 |
| ETIM 4.0   | EC002637 |

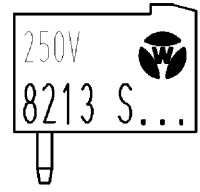
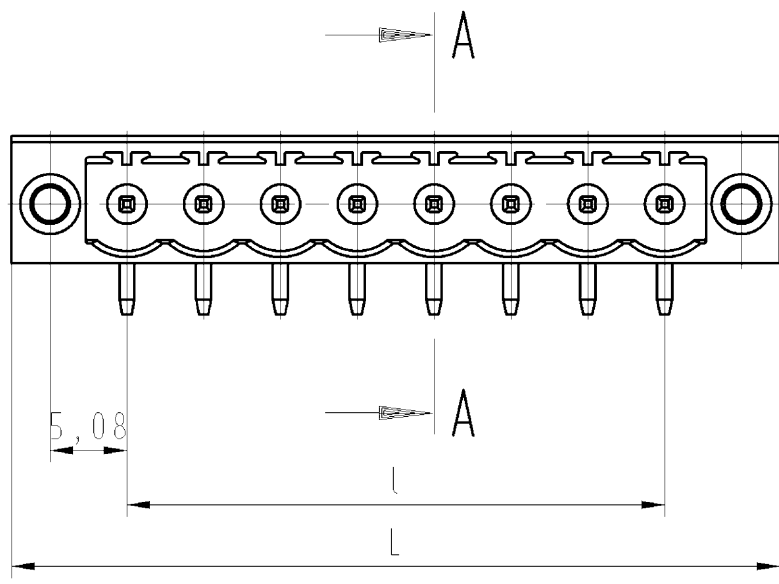
#### Product compliance

|                              |                    |
|------------------------------|--------------------|
| ROHS conformity status       | Compliant/Exempted |
| ROHS exceptions              | III-6(c)           |
| REACH-SVHC conformity status | Duty-To-Declare    |
| REACH-SVHC substances        | Lead               |
| REACH-SVHC CAS numbers       | 7439-92-1          |

#### Fits with

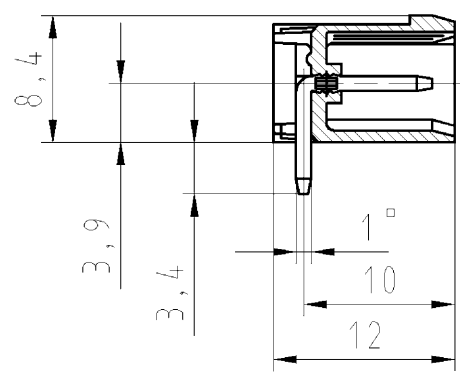
| Commercial Art.No.: | Article-type description:           | Description:   |
|---------------------|-------------------------------------|--|
| 25.245.0853.0       | PCB connector 8213 B / 8 TOP F OB   | PCB female connector with front/top screw connection, 8 poles, max. cross section: 2.5 mm <sup>2</sup> , pitch: 5.08 mm, type of packing: carton, color: grey                                      |
| 25.245.3853.0       | PCB connector 8213 B / 8 TOP F      | PCB female connector with front/top screw connection, 8 poles, printed version, max. cross section: 2.5 mm <sup>2</sup> , pitch: 5.08 mm, type of packing: carton, color: grey                     |
| 25.323.3853.0       | PCB connector 8213 B / 8 F OB       | PCB female connector with screw connection with rising cage clamp system, 8 poles, max. cross section: 2.5 mm <sup>2</sup> , pitch: 5.08 mm, type of packing: carton, color: grey                  |
| 25.323.0853.0       | PCB connector 8213 B / 8 F          | PCB female connector with screw connection with rising cage clamp system, 8 poles, printed version, max. cross section: 2.5 mm <sup>2</sup> , pitch: 5.08 mm, type of packing: carton, color: grey |
| 25.344.3853.0       | PCB connector 8213 B / 8 VR F OB    | PCB female connector with screw connection with rising cage clamp system, 8 poles, max. cross section: 2.5 mm <sup>2</sup> , pitch: 5.08 mm, type of packing: carton, color: grey                  |
| 25.344.0853.0       | PCB connector 8213 B / 8 VR F       | PCB female connector with screw connection with rising cage clamp system, 8 poles, printed version, max. cross section: 2.5 mm <sup>2</sup> , pitch: 5.08 mm, type of packing: carton, color: grey |
| 25.349.3853.0       | PCB connector 8213 B / 8 VL F OB    | PCB female connector with screw connection with rising cage clamp system, 8 poles, max. cross section: 2.5 mm <sup>2</sup> , pitch: 5.08 mm, type of packing: carton, color: grey                  |
| 25.349.0853.0       | PCB connector 8213 B / 8 VL F       | PCB female connector with screw connection with rising cage clamp system, 8 poles, printed version, max. cross section: 2.5 mm <sup>2</sup> , pitch: 5.08 mm, type of packing: carton, color: grey |
| 25.841.3853.0       | PCB connector 8213 BFK / 8 TOP F OB | PCB female connector with tension spring connection, 8 poles, max. cross section: 2.5 mm <sup>2</sup> , pitch: 5.08 mm, type of packing: carton, color: grey                                       |
| 25.841.0853.0       | PCB connector 8213 BFK / 8 TOP F    | PCB female connector with tension spring connection, 8 poles, printed version, max. cross section: 2.5 mm <sup>2</sup> , pitch: 5.08 mm, type of packing: carton, color: grey                      |

These dimensions will be especially checked at delivery  
 Only inspection dimensions  
 With /E marked dimensions are only valid for internal use



Diese Maße werden bei Abnahme besonders geprüft  
 Ausschließlich Prüfmaße  
 Mit /E gekennzeichnete Maße sind nur für interne Zwecke gültig

Schnitt A-A  
 section A-A



gezeichnete Ausführung: 8-polig  
 drawn version: 8-poles

|                |    |
|----------------|----|
| Farbe / colour | .F |
| grau / grey    | .0 |
| schwarz/black  | .1 |
| grün / green   | .7 |

| Art.-Nr.<br>part number | Pol-Z<br>pole | L     | l     | Typ<br>type      | Art.-Nr.<br>part number | Pol-Z<br>pole | L      | l      | Typ<br>type      |
|-------------------------|---------------|-------|-------|------------------|-------------------------|---------------|--------|--------|------------------|
| 25.358.3253.F           | 2             | 20,32 | 5,08  | 8213 S/ 2 WF OB  | 25.358.4353.F           | 13            | 76,20  | 60,96  | 8213 S/ 13 WF OB |
| 25.358.3353.F           | 3             | 25,40 | 10,16 | 8213 S/ 3 WF OB  | 25.358.4453.F           | 14            | 81,28  | 66,04  | 8213 S/ 14 WF OB |
| 25.358.3453.F           | 4             | 30,48 | 15,24 | 8213 S/ 4 WF OB  | 25.358.4553.F           | 15            | 86,36  | 71,12  | 8213 S/ 15 WF OB |
| 25.358.3553.F           | 5             | 35,56 | 20,32 | 8213 S/ 5 WF OB  | 25.358.4653.F           | 16            | 91,44  | 76,20  | 8213 S/ 16 WF OB |
| 25.358.3653.F           | 6             | 40,64 | 25,40 | 8213 S/ 6 WF OB  | 25.358.4753.F           | 17            | 96,52  | 81,28  | 8213 S/ 17 WF OB |
| 25.358.3753.F           | 7             | 45,72 | 30,48 | 8213 S/ 7 WF OB  | 25.358.4853.F           | 18            | 101,60 | 86,36  | 8213 S/ 18 WF OB |
| 25.358.3853.F           | 8             | 50,80 | 35,56 | 8213 S/ 8 WF OB  | 25.358.4953.F           | 19            | 106,68 | 91,44  | 8213 S/ 19 WF OB |
| 25.358.3953.F           | 9             | 55,88 | 40,64 | 8213 S/ 9 WF OB  | 25.358.5053.F           | 20            | 111,76 | 96,52  | 8213 S/ 20 WF OB |
| 25.358.4053.F           | 10            | 60,96 | 45,72 | 8213 S/ 10 WF OB | 25.358.5153.F           | 21            | 116,84 | 101,60 | 8213 S/ 21 WF OB |
| 25.358.4153.F           | 11            | 66,04 | 50,80 | 8213 S/ 11 WF OB | 25.358.5253.F           | 22            | 121,92 | 106,68 | 8213 S/ 22 WF OB |
| 25.358.4253.F           | 12            | 71,12 | 55,88 | 8213 S/ 12 WF OB |                         |               |        |        |                  |

Tolerierung nach DIN 7167/Tolerance system acc. to DIN 7167. (This DIN-standard describes the envelope principle. According to the envelope principle the deviations of form and parallelism are limited by the size tolerances). ja/yes  Stoffverbots- und Deklarationsliste nach UU-TOM-05/03 ist einzuhalten. Conformity with Wieland document UU-TOM-05/03 (list of prohibited / declarable hazardous substances) to be declared!

Freitoleranz nach DIN ISO 2768 - m CAD - Zeichnung, keine manuellen Änderungen 1.Verwendung: Blatt: 1 von 1  
 General tolerance CAD - drawing, no manual modifications allowed First Use: Sheet: 1 of 1

|                                 |                               |                           |                      |                               |                   |
|---------------------------------|-------------------------------|---------------------------|----------------------|-------------------------------|-------------------|
| Werkstoff/Material              | 2011                          | Tag/Date                  | Name                 | Zeichnung Nr./Drawing No.     | Index             |
|                                 | gezeichnet<br>drawn           | 21.11.                    | Schmitt J.           |                               |                   |
| Maßstab/Scale                   | 2:1                           | geprüft<br>checked        | -                    | T                             | 25.358.3253.0 01K |
|                                 |                               | Normgepr.<br>Stand. check | -                    |                               |                   |
| Maße in mm/Dimensions are in mm |                               |                           |                      |                               |                   |
| Vol.                            | mm <sup>3</sup>               | Offt./Surf.               | mm <sup>2</sup>      | Ersatz für/Replacement for: - |                   |
| wieland                         |                               | Type                      | Benennung/Title      |                               |                   |
| Elektrische Verbindungen        |                               | Typ                       | LP_STIFTLISTE        |                               |                   |
|                                 |                               | 8213 S/..                 | Rastermaß/pitch 5,08 |                               |                   |
|                                 |                               | WF OB                     | PCB header           |                               |                   |
| Index                           | Datum / Blatt<br>Date / Sheet |                           |                      |                               |                   |
| Änderung/Revision               |                               |                           |                      |                               |                   |

Weitergabe sowie Vervielfältigung dieses Dokuments, Verwertung und Mitteilung seines Inhalts sind verboten, soweit nicht ausdrücklich gestattet. Die Reproduktion, Distribution und Utilization of this document as well as the communication of its contents to others without express authorization is prohibited.

253583253001K\_2 CADW2035 Schmitt 2011-11-22T10:25:26 1.000