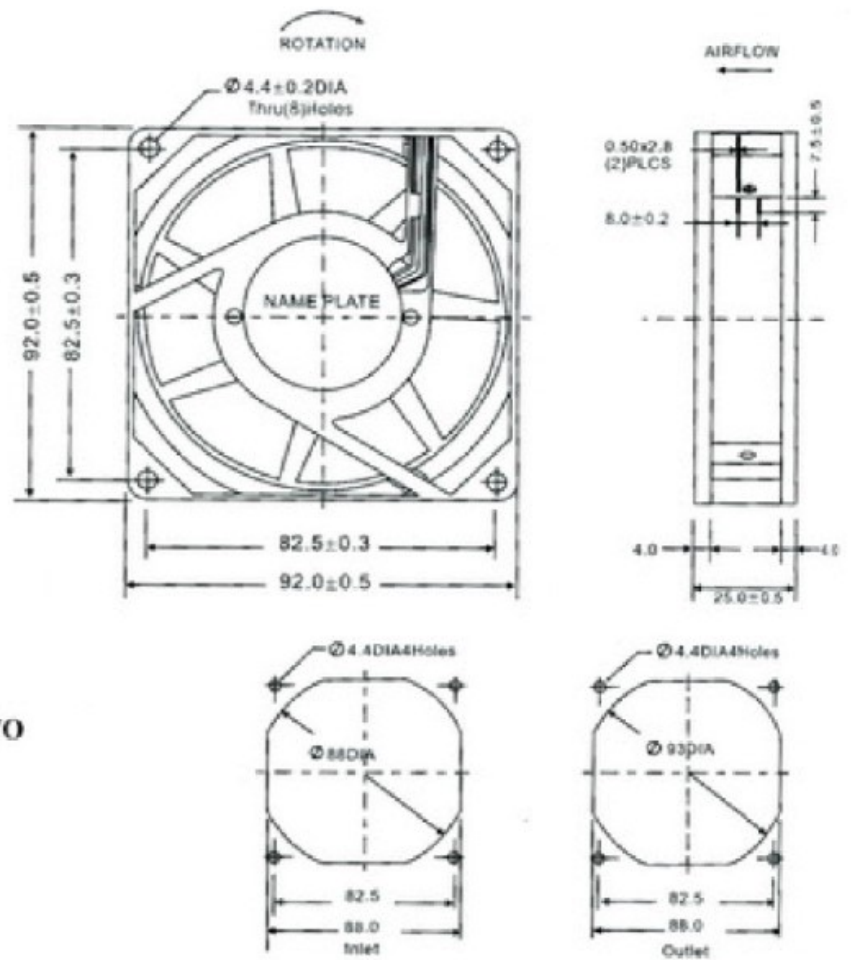


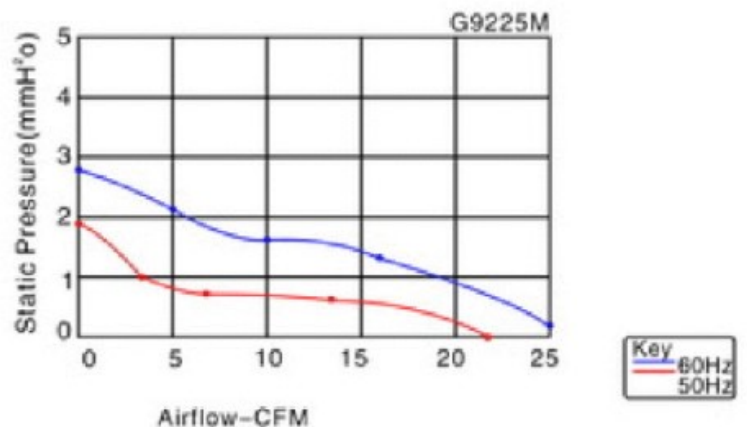
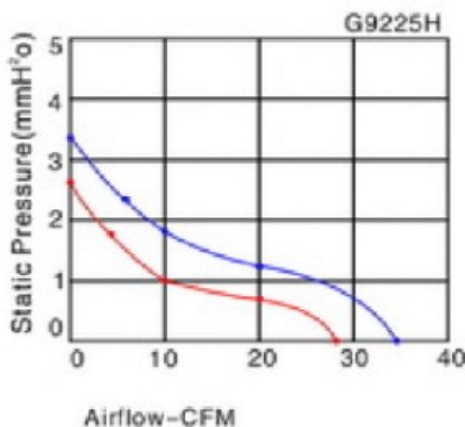


Size:92mmx92mmx25mm  
 Airflow:37~58m<sup>3</sup>/hr  
 22~34CFM

Weight:268g  
 Noise:28~40dBA  
 Impeller: PBT Thermoplastic Black,UL94-V0  
 Frame:Aluminum Alloy  
 Terminals:0.5mm  
 Lead Wire: AWG#22 UL 1007(Optional)  
 Motor:Shaded Pole Induction Motor  
 Safety:UL > CUL > TUV > CE >   
 Operation Temperature:-10°C~+65°C



Model	Bearing System	Voltage VAC	Freq. Hz	Current A	Power W	Speed RPM	Noise dBA	Air Flow (风量)		Phase	Capacitor
								M3/hr	CFM		
G9225HA,S	Sleeve	100-125	50/60	0.14	13	2300/2800	34/40	47/58	28/34	1	/
G9225HA,S		200-240	50/60	0.07	13	2300/2800	34/40	47/58	28/34	1	/
G9225HA,B	Ball	100-125	50/60	0.14	13	2300/2800	34/40	47/58	28/34	1	/
G9225HA,B		200-240	50/60	0.17	13	2300/2800	34/40	47/58	28/34	1	/
G9225MA,S	Sleeve	100-125	50/60	0.14	13	1800/2300	28/35	37/45	22/26	1	/
G9225MA,S		200-240	50/60	0.07	13	1800/2300	28/35	34/45	22/26	1	/
G9225MA,B	Ball	100-125	50/60	0.14	13	1800/2300	28/35	37/45	22/26	1	/
G9225MA,B		200-240	50/60	0.07	13	1800/2300	28/35	37/45	22/26	1	/



Key  
 60Hz  
 50Hz