

6 & 8 VERSIONS

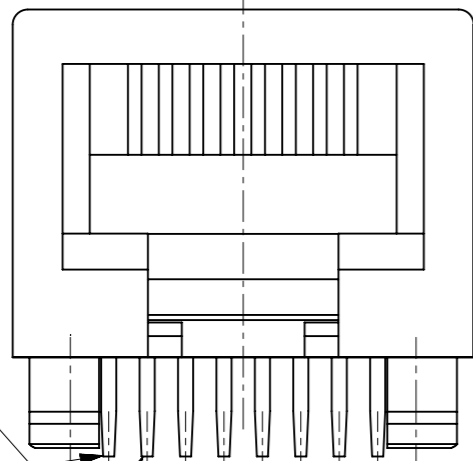
8 VERSION SHOWN

CIRCUIT 1
(8 CKTS VERSION)

④ 1.27

CIRCUIT 1
(6 CKTS VERSION)

Z

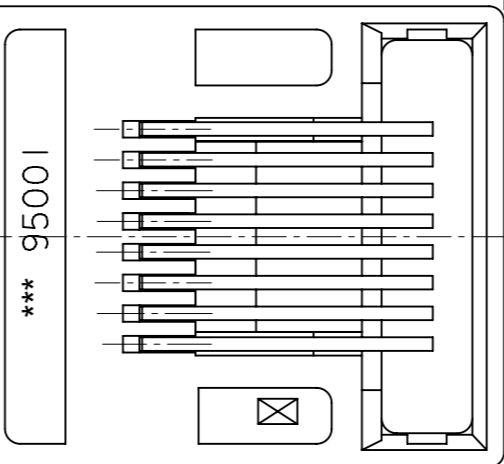


⑥ A

⑤ 18.10

18.10

VIEW Z



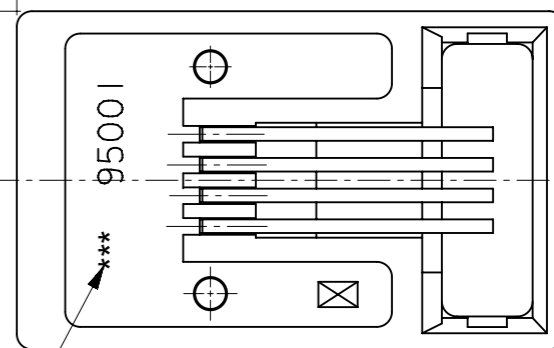
4 VERSION ONLY

⑦ 18.10

18.10

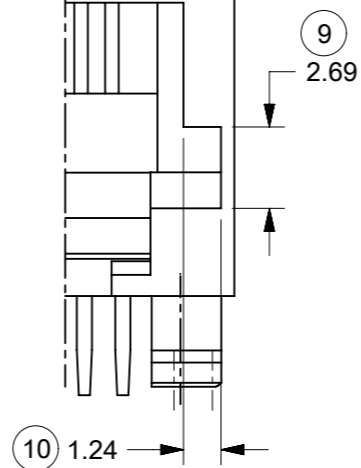
⑧ A

NOTE 5



NOTES:

- MATERIAL**
HOUSING: LCP GLASS FILLED UL 94 V-0, COLOUR BLACK.
TERMINAL: COPPER ALLOY
BASE FINISH: NICKEL
CONTACT SURFACE FINISH:
GOLD
OR
GOLD FLASH OVER PALLADIUM NICKEL.
EXCEEDS PRODUCT REQUIREMENTS BASED ON PSD-95501
- JACK FOR MATING WITH F.C.C. 68 PLUGS 90075 MOLEX SERIES.
- PRODUCT SPECIFICATION PSD-95501.
- PACKAGING SPECIFICATION PK-95001: STANDARD PACKAGING SHEET 1.
SPECIAL PACKAGING SHEET 2. TUBE PACKAGING SHEET 3.
- MANUFACTURING I.D. CAN BE EITHER MXF, MG, MXI OR MXCH.
- RECOMMENDED PCB THICKNESS: 1.57mm
INSPECTION NUMBERS USED: 1 - 50
LAST INSPECTION NUMBER: 21



OPTIONAL
KEYING

CIRCUIT 1
(4 CKTS VERSION)

⑨ 2.69

⑩ 1.24

⑭ 1.27

⑫ B

⑪ 0.10 Y

⑬ C

Y

⑳ 3.00

㉑ 1.80

⑲ 7.88

⑱ 2.54

⑰ 8.89

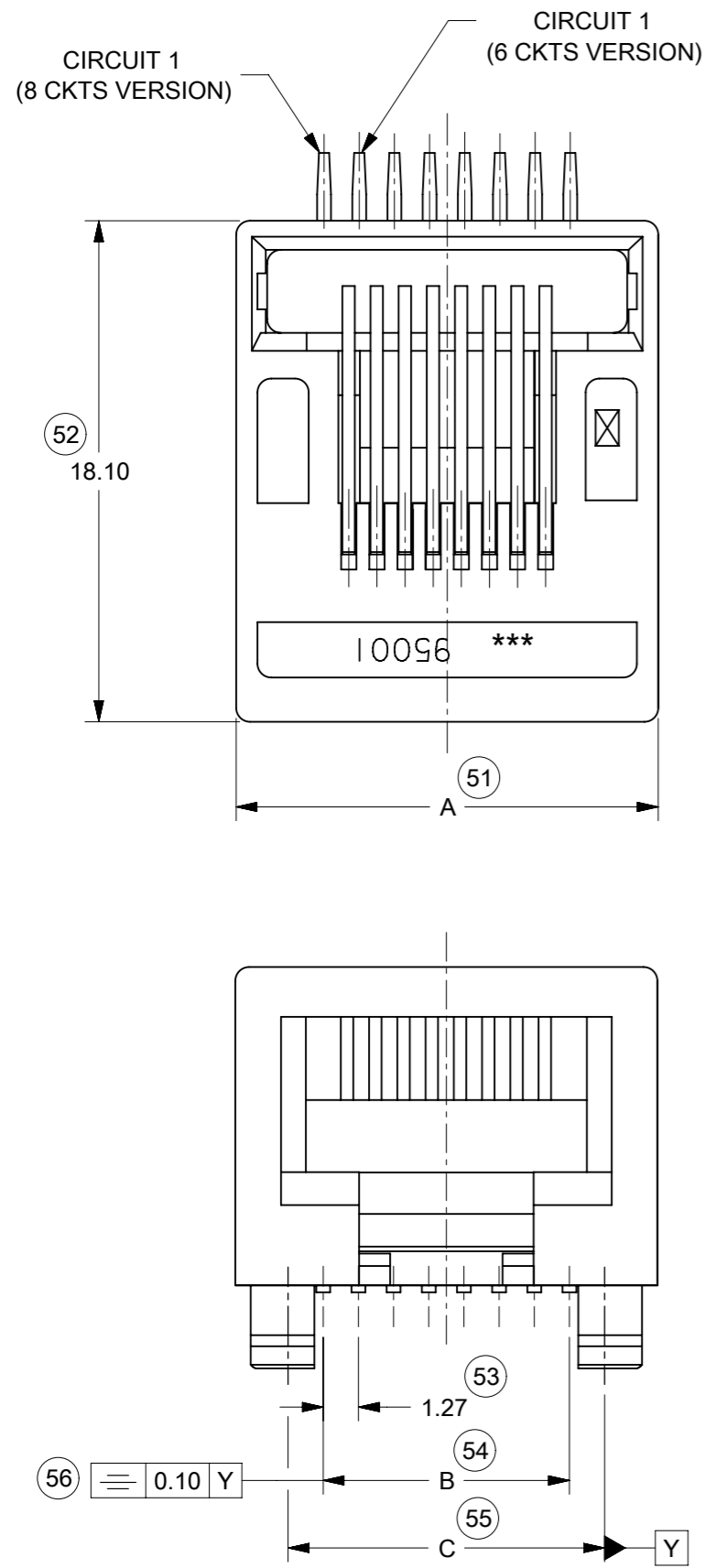
⑮ 11.50

⑯ 3.3 ±0.35

DIM.	TYPE	POS. 4	POS. 6		POS. 8
		4 CKTS.	4 CKTS.	6 CKTS.	8 CKTS.
A		11.18	13.21	13.21	15.24
C		7.62	10.16	10.16	11.43
B		3.81	3.81	6.35	8.89

FUNCTIONAL SYMBOLS	THIS DRAWING CONTAINS INFORMATION THAT IS PROPRIETARY TO MOLEX ELECTRONIC TECHNOLOGIES, LLC AND SHOULD NOT BE USED WITHOUT WRITTEN PERMISSION		
	DIMENSION UNITS mm	SCALE 1:1	CURRENT REV DESC: ADD "MXCH" AS MANUFACTURING I.D. SEE NOTE 5.
DIVISIONAL SYMBOLS	GENERAL TOLERANCES (UNLESS SPECIFIED)		molex R/A LOW PROFILE PC JACK 4,6,8 CKTS SIZE THROUGH HOLE VERSION
	ANGULAR TOL ± °	EC NO: 641518 DRWN: BCAFFREY CHK'D: KLANG APPR: KLANG	
4 PLACES ± 3 PLACES ± 2 PLACES ± 0.15 1 PLACE ± 0.25 0 PLACES ±			PRODUCT CUSTOMER DRAWING DOCUMENT NUMBER SD-95501-001
DRAFT WHERE APPLICABLE MUST REMAIN WITHIN DIMENSIONS			INITIAL REVISION: DRWN: DBYRNES APPR: EOMAHONY 2006/10/11 2006/10/12
THIRD ANGLE PROJECTION 		DRAWING A3-SIZE	DOC TYPE DOC PART REVISION PSD 001 F
SERIES 95501		MATERIAL NUMBER SEE CHART	CUSTOMER GENERAL MARKET
		SHEET NUMBER 1 OF 5	

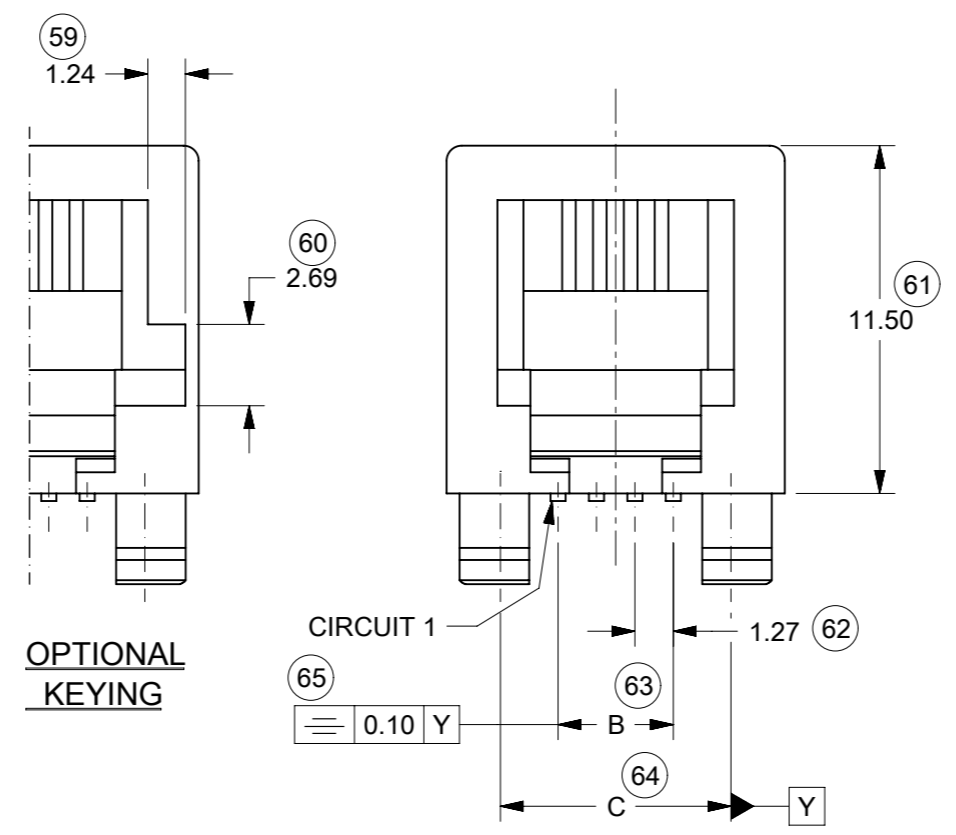
6 & 8 VERSIONS
8 VERSION SHOWN



DIM. \ TYPE	POS. 4	POS. 6		POS. 8
	4 CKTS.	4 CKTS.	6 CKTS.	8 CKTS.
A	11.18	13.21	13.21	15.24
C	7.62	10.16	10.16	11.43
B	3.81	3.81	6.35	8.89

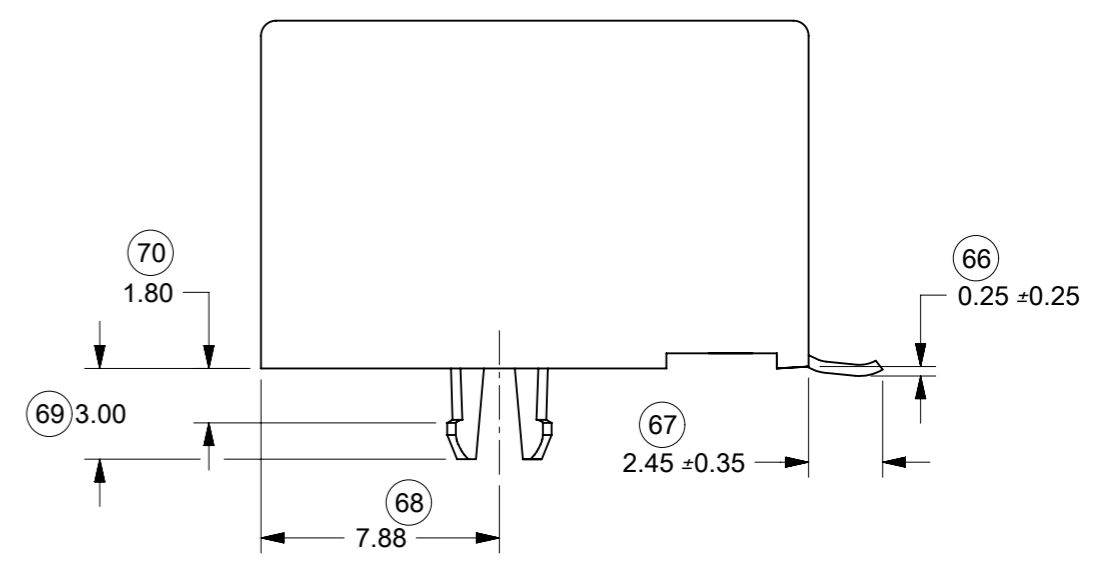
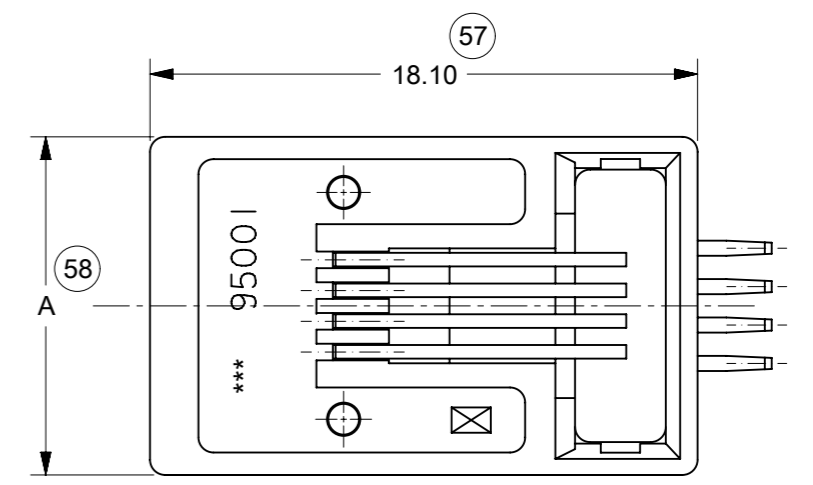
- NOTES:**
- MATERIAL:**
HOUSING: LCP GLASS FILLED UL 94V-0.
COLOUR BLACK.
 - SEE OTHER NOTES SHEET 1.
 - COPLANARITY OF SIGNAL TAILS 0.10mm.

INSPECTION NUMBERS USED: 51 - 100
LAST INSPECTION NUMBER: 70



OPTIONAL KEYING

4 VERSION ONLY



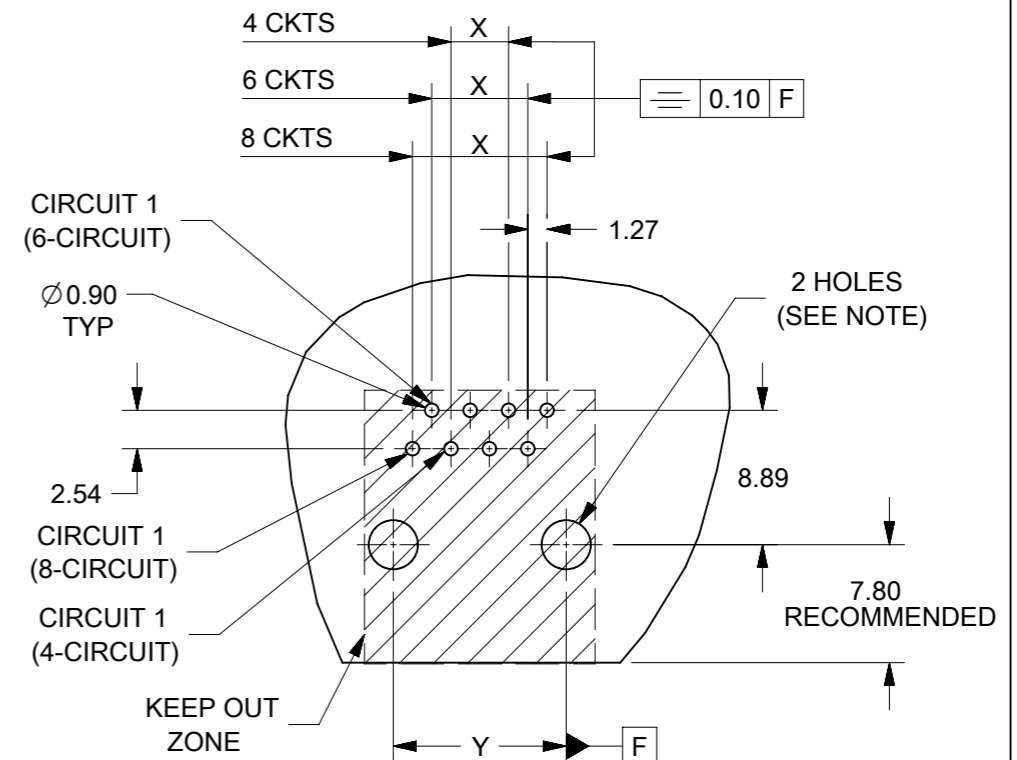
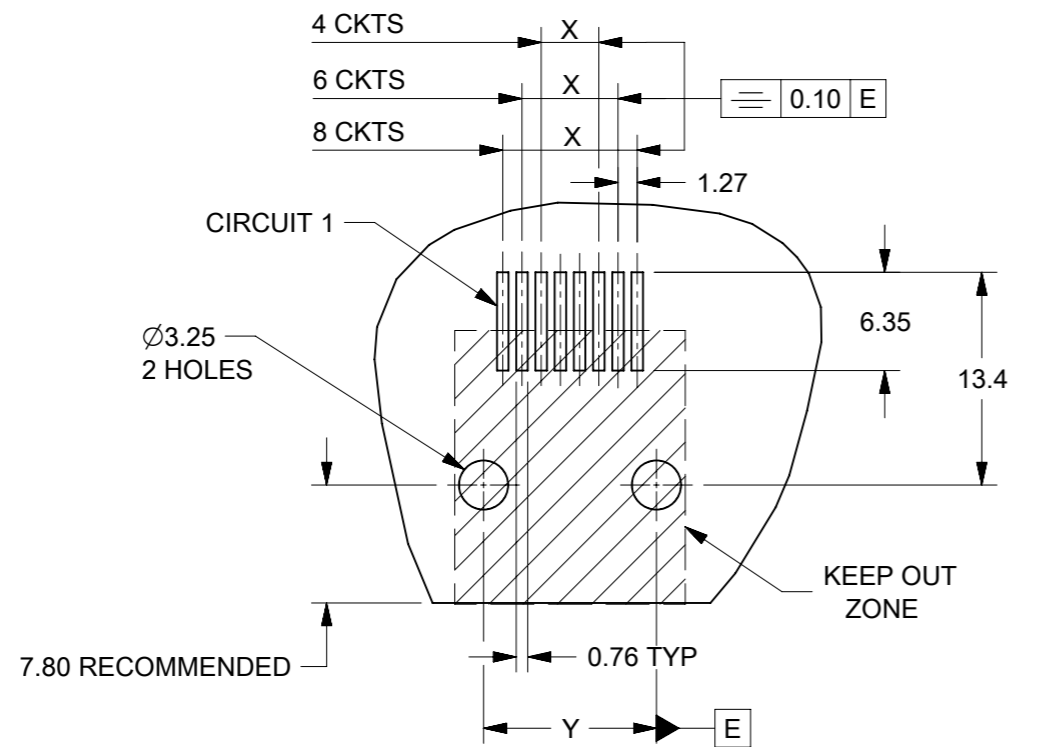
FUNCTIONAL SYMBOLS	THIS DRAWING CONTAINS INFORMATION THAT IS PROPRIETARY TO MOLEX ELECTRONIC TECHNOLOGIES, LLC AND SHOULD NOT BE USED WITHOUT WRITTEN PERMISSION			
	DIMENSION UNITS	SCALE		
▽ = 0	mm	1:1	EC NO: 641518	R/A LOW PROFILE PC JACK 4,6,8 CKTS SIZE THROUGH HOLE VERSION
∇ = 0	GENERAL TOLERANCES (UNLESS SPECIFIED)		DRWN: BCAFFREY 2017/06/30	
∇ = 0	ANGULAR TOL ± °		CHK'D: KLANG 2020/08/25	PRODUCT CUSTOMER DRAWING
∇ = 0	4 PLACES ±		APPR: KLANG 2020/08/25	
DIVISIONAL SYMBOLS	3 PLACES ±		INITIAL REVISION:	DOCUMENT NUMBER
	2 PLACES ± 0.15		DRWN: DBYRNES 2006/10/11	
1 PLACE ± 0.25		APPR: EOMAHONY 2006/10/12	DOC TYPE	DOC PART
0 PLACES ±		THIRD ANGLE PROJECTION	DRAWING	REVISION
DRAFT WHERE APPLICABLE MUST REMAIN WITHIN DIMENSIONS		SEE CHART	SERIES	PSD 001 F
		A3-SIZE	95501	CUSTOMER
				GENERAL MARKET
				SHEET NUMBER
				2 OF 5

DIM. \ TYPE	POS. 4	POS. 6		POS. 8
	4 CKTS.	4 CKTS.	6 CKTS.	8 CKTS.
Y±0.05	7.62	10.16	10.16	11.43
X±0.05	3.81	3.81	6.35	8.89

P.C.B. MOUNTING PATTERNS - SEE FROM COMPONENT SIDE

FOR SMT JACK TYPE (SURFACE MOUNT)

FOR STANDARD JACK TYPE (THROUGH HOLE)

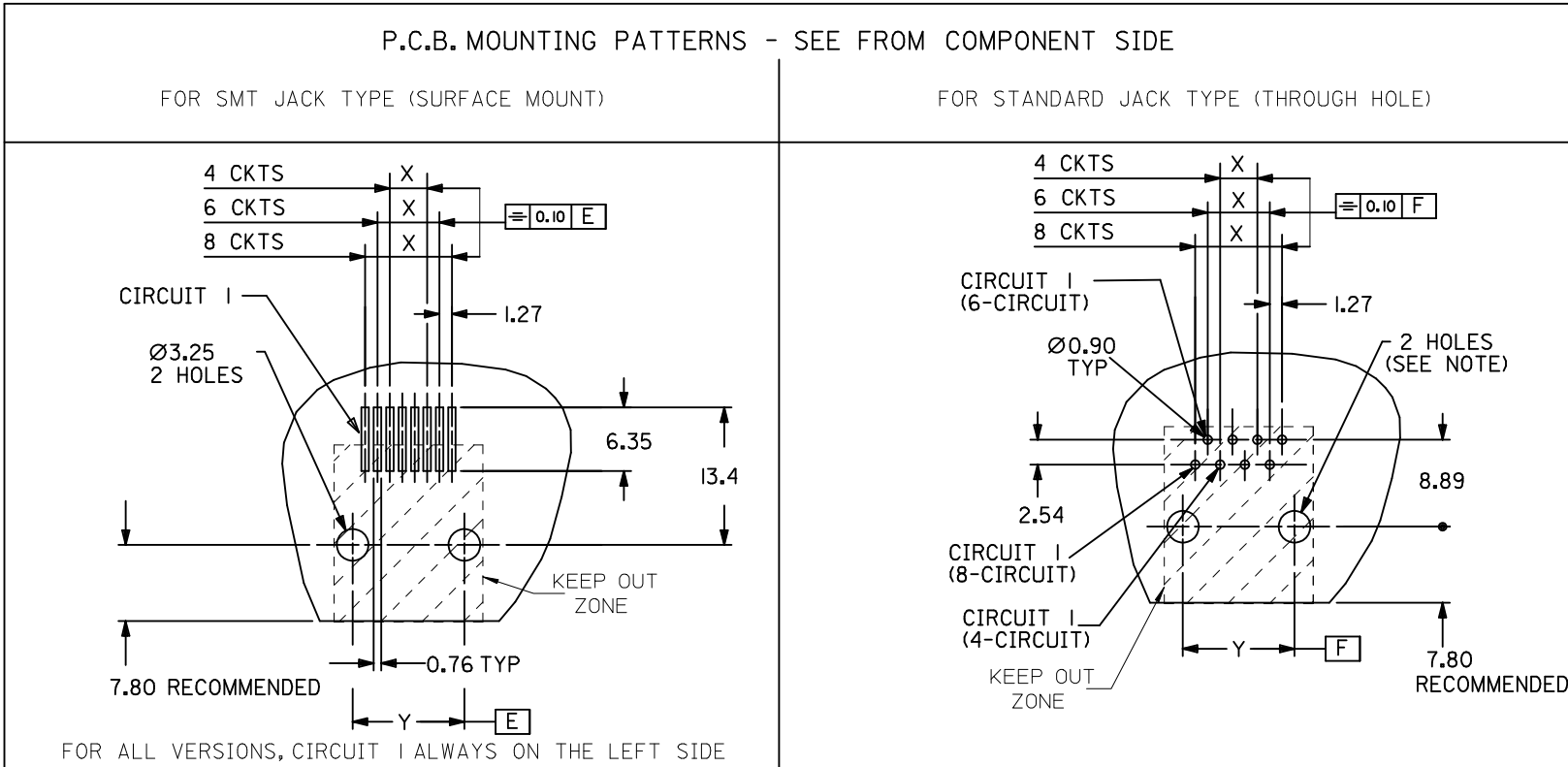


FOR ALL VERSIONS, CIRCUIT 1 ALWAYS ON THE LEFT SIDE _FT SIDE

NOTE:
 FOR CONVECTION SOLDERING: DIA 3.25±0.05
 FOR WAVE SOLDERING: DIA 3.20±0.10
 ALL DIMENSIONS REF DIMENSIONS

FUNCTIONAL SYMBOLS	THIS DRAWING CONTAINS INFORMATION THAT IS PROPRIETARY TO MOLEX ELECTRONIC TECHNOLOGIES, LLC AND SHOULD NOT BE USED WITHOUT WRITTEN PERMISSION			
	$\nabla = 0$ $\nabla = 0$ $\nabla = 0$	DIMENSION UNITS: mm SCALE: 1:1 GENERAL TOLERANCES (UNLESS SPECIFIED): ANGULAR TOL ± °		
DIVISIONAL SYMBOLS	4 PLACES ± 3 PLACES ± 2 PLACES ± 0.15 1 PLACE ± 0.25 0 PLACES ±	INITIAL REVISION: DRWN: DBYRNES 2006/10/11 APPR: EOMAHONY 2006/10/12	PRODUCT CUSTOMER DRAWING	
	DRAFT WHERE APPLICABLE MUST REMAIN WITHIN DIMENSIONS	THIRD ANGLE PROJECTION	DRAWING: A3-SIZE SERIES: 95501	DOCUMENT NUMBER: SD-95501-001 DOC TYPE: PSD DOC PART: 001 REVISION: F
DOCUMENT STATUS: P1 RELEASE DATE: 2020/08/25 03:53:18	MATERIAL NUMBER: SEE CHART CUSTOMER: GENERAL MARKET	SHEET NUMBER: 3 OF 5		

TYPE \ DIM.	POS. 4	POS. 6		POS. 8
	4 CKTS.	4 CKTS.	6 CKTS.	8 CKTS.
Y ±0.05	7.62	10.16	10.16	11.43
X ±0.05	3.81	3.81	6.35	8.89



NOTE:
 FOR CONVECTION SOLDERING: DIA 3.25±0.05
 FOR WAVE SOLDERING: DIA 3.20±0.10
 ALL DIMENSIONS REF DIMENSIONS

REMOVED INCHES EC NO: E2012-0079 DRWN: JOCONNOR 2011/02/23 CHKD: APPR: EFOLAN 2011/09/28	QUALITY SYMBOLS ▽=0 ◻=0	GENERAL TOLERANCES (UNLESS SPECIFIED) <table border="1" style="font-size: small;"> <thead> <tr> <th></th> <th>mm</th> <th>INCH</th> </tr> </thead> <tbody> <tr> <td>4 PLACES</td> <td>±---</td> <td>±---</td> </tr> <tr> <td>3 PLACES</td> <td>±---</td> <td>±---</td> </tr> <tr> <td>2 PLACES</td> <td>±0.15</td> <td>±---</td> </tr> <tr> <td>1 PLACE</td> <td>±0.25</td> <td>±---</td> </tr> <tr> <td colspan="3" style="text-align: center;">ANGULAR ±---°</td> </tr> </tbody> </table>		mm	INCH	4 PLACES	±---	±---	3 PLACES	±---	±---	2 PLACES	±0.15	±---	1 PLACE	±0.25	±---	ANGULAR ±---°			DIMENSION STYLE MM ONLY	SCALE 2:1	DESIGN UNITS METRIC	THIRD ANGLE PROJECTION
		mm	INCH																					
	4 PLACES	±---	±---																					
	3 PLACES	±---	±---																					
2 PLACES	±0.15	±---																						
1 PLACE	±0.25	±---																						
ANGULAR ±---°																								
DRAWN BY: DBYRNES CHECKED BY: EOMAHONY APPROVED BY: EOMAHONY	DATE: 2006/08/02 DATE: 2006/08/12 DATE: 2006/08/12	TITLE R/A LOW PROFILE JACK PC JACK 4,6,8 CKT SIZE SMT AND STANDARD VERSION		MOLEX INCORPORATED																				
DRAFT WHERE APPLICABLE MUST REMAIN WITHIN DIMENSIONS		MATERIAL NO. SEE CHART SHEETS 4 & 5		DOCUMENT NO. SD-95501-001		SHEET NO. 3 OF 5																		
THIS DRAWING CONTAINS INFORMATION THAT IS PROPRIETARY TO MOLEX INCORPORATED AND SHOULD NOT BE USED WITHOUT WRITTEN PERMISSION																								