



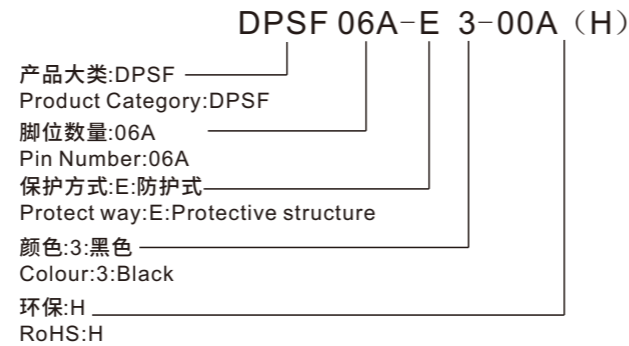
DPSF

特点

- 防护式插座、6A。
- 环保产品 RoHS。

Features

- Protective socket,6A.
- Green product RoHS.



DPSF黑色系列底座将于2023年Q3计划停产，具体参考我司通知
DPSF series black socket will be stopped in 2023 Q3, we will publish official PDN

性能参数 Performance Parameters

技术参数 Technical parameters

产品型号 Product type	DPSF06A-E3
额定电流 Rated current	6A
额定电压 Rated voltage	250V
线圈/触点介质耐压 Coil/Contact dielectric voltage	4000V/S
触点间介质耐压 Dielectric voltage between contact	2500V/S
螺钉扭矩 Screw torque	0.5Nm
外连接导线 External connection wire	20-16AWG/0.5-1.5mm ²
环境温度 Ambient temperature	-40~+70°C
重量 Weight	22g

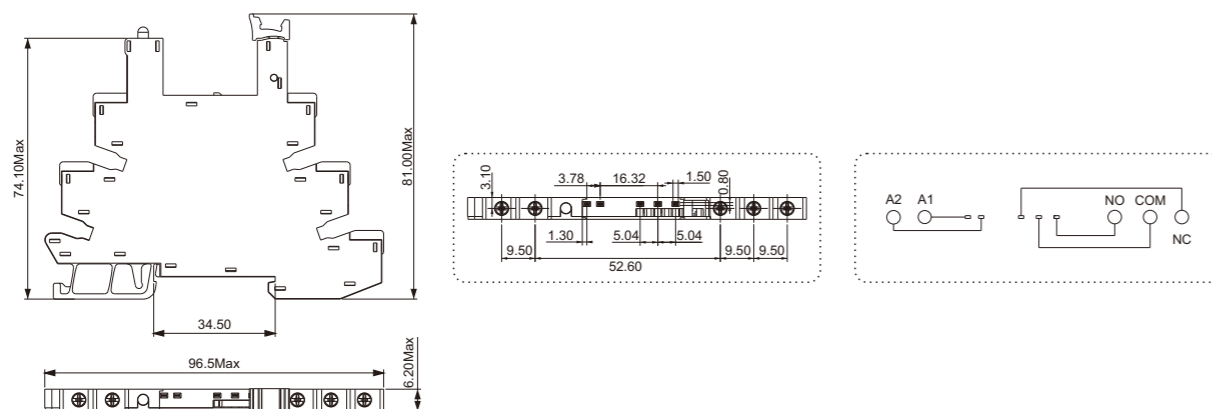
配套继电器及附件 Supporting relays and accessories

产品型号 Product type	继电器 Relay	短接片 Short splice
DPSF06A-E3	DRPS	DBA20-6-12-00A(H) 颜色: 蓝色 DBA20-6-12-00A(H) Color: blue
		DBA20-6-13-00A(H) 颜色: 黑色 DBA20-6-13-00A(H) Color: black
		DBA20-6-16-00A(H) 颜色: 红色 DBA20-6-16-00A(H) Color: red



外形尺寸图、接线图 Overall Dimensions, Wiring Diagrams

DPSF06A-E3



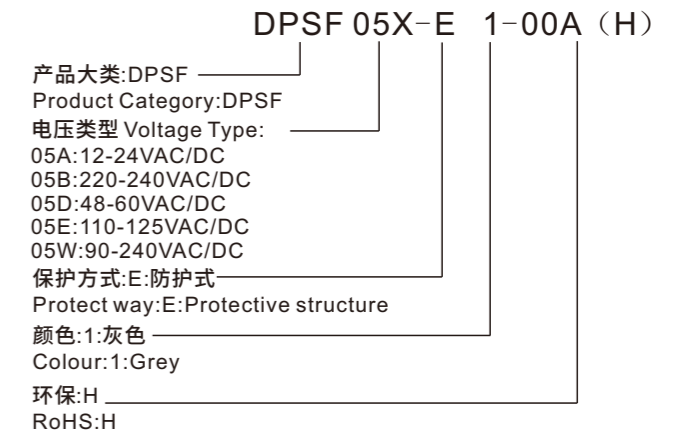
DPSF

特点

- 防护式插座、6A。
- 环保产品 RoHS。

Features

- Protective socket,6A.
- Green product RoHS.



性能参数 Performance Parameters

技术参数 Technical parameters

产品型号 Product type	DPSF05X-E1
额定电流 Rated current	6A
额定电压 Rated voltage	250V
线圈/触点介质耐压 Coil/Contact dielectric voltage	4000V/S
触点间介质耐压 Dielectric voltage between contact	2500V/S
螺钉扭矩 Screw torque	0.5Nm
外连接导线 External connection wire	20-16AWG/0.5-1.5mm ²
环境温度 Ambient temperature	-40~+70°C
重量 Weight	26g

配套继电器及附件 Supporting relays and accessories

产品型号 Product type	继电器 Relay	短接片 Short splice
DPSF05A-E1	DRPS-1C-D12/D24	DBA20-6-12-00A(H) 颜色: 蓝色 DBA20-6-12-00A(H) Color: blue DBA20-6-13-00A(H) 颜色: 黑色 DBA20-6-13-00A(H) Color: black DBA20-6-16-00A(H) 颜色: 红色 DBA20-6-16-00A(H) Color: red
DPSF05B-E1/DPSF05E-E1	DRPS-1C-D60	
DPSF05D-E1	DRPS-1C-D48/D60	
DPSF05W-E1	DRPS-1C-D24	



外形尺寸图、接线图 Overall Dimensions, Wiring Diagrams

DPSF05X-E1

