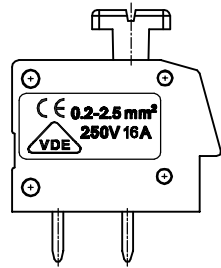
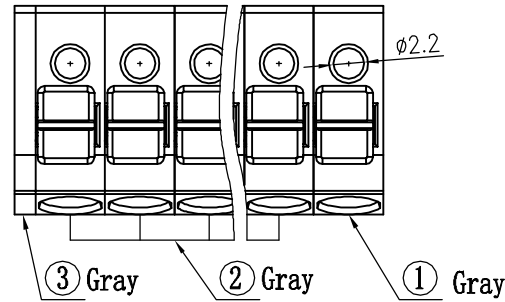


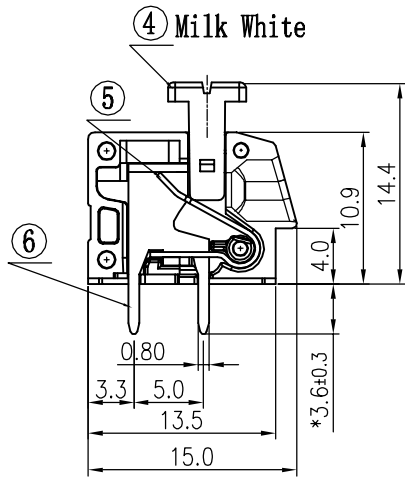
REVISION RECORD				
REV	ECO	DESCRIPTION	DRFT	DATE



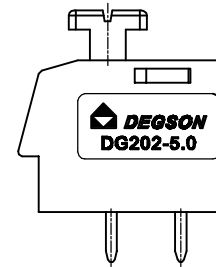
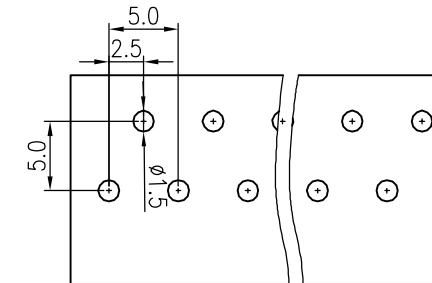
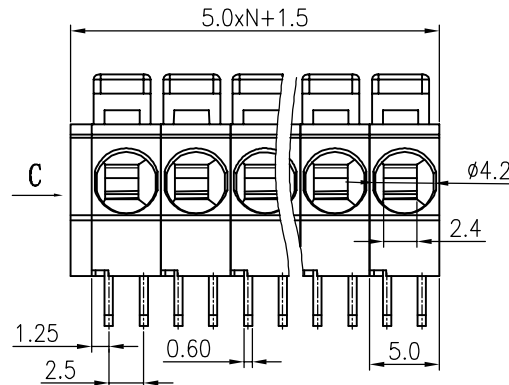
C向



③ Gray ② Gray ① Gray



Out of Cover



Notes:

1. Pitch:5.0mm , Poles:XXP
2. Rated voltage/current: UL1059 300V/10A VDE 250V/16A
3. Operation temperatures:-40℃~+105℃
4. Withstanding Voltage:AC2500V/1Min
5. Insulation Resistance:5000MΩ/DC1000V
6. Wire Range:20-12AWG 0.5-2.5mm²
7. Undimensioned Tolerances:

Pitch range in mm		Nominal dimension range in mm					—	
to	over	to	over	to	over	to		
6	10	6	10	30	60	100	150	∩
±0.10	±0.15	±0.25	±0.2	±0.3	±0.5	±0.7	±1	□

ITEM	NAME OF PART	NO. OF PART	Q'TY	MATERIAL	NOTES
6	DG202-Pin header	3044B00010 (H)	XX	Copper	SnCe
5	DG202-Spring	X000003840 (H)	XX	Stainless steel	
4	DG202-Button	3044D4901A (H)	XX	PA66	UL94V-0
3	DG202-Cover	3044C0101A (H)	1	PA66	UL94V-0
2	DG202-5.0-Center Housing	3044A0101C (H)	XX-1	PA66	UL94V-0
1	DG202-5.0-Left Housing	3044A0101A (H)	1	PA66	UL94V-0

DETACHED LISTS	MM (INCH)	DFTO Apple	DATE 12/01/09*	宁波高正电子有限公司 DEGSON ELECTRONICS CO., LTD
	TOLERANCES EXCEPT AS NOTED		CHKD DATE	
			MFO DATE	
			APPVL DATE	
MM	±	MATERIAL :		NAME
.0 ±	±			DG202-5.0-XXP-1Y-00A(H)
.00 ±	±			DRAWING NO. DG202-5.0-E01
.000 ±	±			/PART NO.
ANGLES ± 1°		G.E :		SIZE A3
THIRD ANGLE PROJECTION		FINISH :		REV TO 12/01/09*
		SCALE : 1:1		DO NOT SCALE DRAWING
				SHEET 1 OF 1