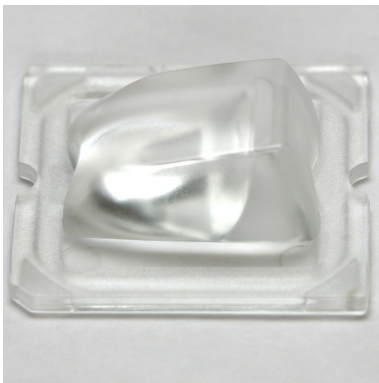


<b>Ordering number</b>	<b>C11816</b>		
<b>Description</b>	<b>C11816_Strada-SQ-T-DN-XP</b>		
Family	Strada-SQ	FWHM	Asym degrees
Type	Lens	Efficiency	89 %
LED	XP-E	cd/lm	-
Color	Transparent	Gerber File	Available
Diameter	25 + 25 mm		
Height	8.77 mm		
Style	Square		
Optic Material	PMMA		
Holder Material	-		
Fastening	Glue, screw		
Status	Ready		



<b>Ordering number</b>	<b>CA11817</b>		
<b>Description</b>	<b>CA11817_Strada-SQ-T-DN-XP-TAPE</b>		
Family	Strada-SQ	FWHM	Asym degrees
Type	Lens	Efficiency	89 %
LED	XP-E	cd/lm	-
Color	Transparent	Gerber File	Available
Diameter	25 + 25 mm		
Height	8.92 mm		
Style	Square		
Optic Material	PMMA		
Holder Material	-		
Fastening	Tape, screw		
Status	Ready		

**NOTE: The typical divergence will be changed by different color, chip size and chip position tolerance. The typical total divergence is the full angle measured where the luminous intensity is half of the peak value.**



## PRODUCT DATASHEET Strada-SQ-T-DN series



### GENERAL INFORMATION

- Product series especially designed & optimized for XP-E series of LEDs.
- Special care taken to make light distribution as uniform as possible.
- Lens material optical grade PMMA with high UV and temperature resistance (105 degrees of Celcius / 220 degrees of Fahrenheit). Allows use of high current and temperature conditions.

Please find more information about used material from below:

[http://ledil.fi/sites/default/files/Documents/Technical/Material/PMMA%20N%20UL94\\_Yellow%20Card.pdf](http://ledil.fi/sites/default/files/Documents/Technical/Material/PMMA%20N%20UL94_Yellow%20Card.pdf)

<http://ledil.fi/sites/default/files/Documents/Technical/Material/PMMA%20N%20PLEXIGLAS-Datasheet.pdf>

- Fastening to heat sink with a PU foam adhesive tape of automotive grade. Please find fastening details by clicking link: [http://www.ledil.com/datasheets/DataSheet\\_TAPE.pdf](http://www.ledil.com/datasheets/DataSheet_TAPE.pdf)

- Fastening to PCB with appropriate adhesive. By clicking link below you can find Ledil recommended glue options.

[http://www.ledil.com/datasheets/DataSheet\\_GLUES.pdf](http://www.ledil.com/datasheets/DataSheet_GLUES.pdf)

**NOTE 1: We advise customer to ensure the suitability and sufficiency of the bond in the end product. For example, mechanical stress, vibration and holes on the surface of the circuit board weaken the strength of the tape.**

**NOTE 2: Assembly to the surface must be made straight, so the tape bonds constant and balanced with fastening surface. Slanted assembly might cause unbalanced bond to the surface. All surfaces where tape is applied must be clean, dry and free from grease and dirt.**

**If cleaning of PCB surfaces is needed, please follow strictly the cleaning instructions of your LED manufacturer - this is important as cleaning shall under no circumstances damage LEDs or other electronics components on the PCB.**

**Further note that optical components shall not be cleaned with any chemicals - only micro fiber cloth may be used to remove fingerprints or other traces from handling.**

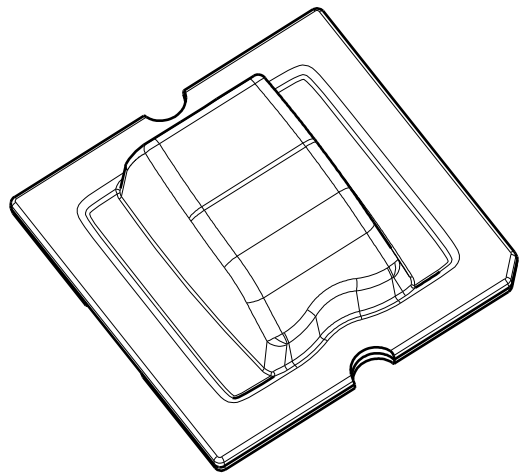
**NOTE 1: We advise customer to ensure the suitability and sufficiency of the bond in the end product. For example, mechanical stress, vibration and holes on the surface of the circuit board weaken the strength of the glue.**

**NOTE 2: All surfaces where glue is applied must be clean, dry and free from grease and dirt. If cleaning of PCB surfaces is needed, please follow strictly the cleaning instructions of your LED manufacturer -this is important as cleaning shall under no circumstances damage LEDs or other electronics components on the PCB.**

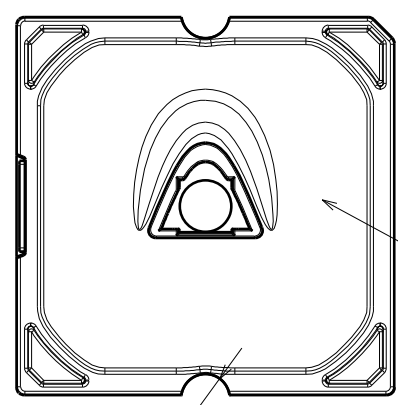
**Further note that optical components shall not be cleaned with any chemicals - only micro fiber cloth may be used to remove fingerprints or other traces from handling.**

D C B A

4



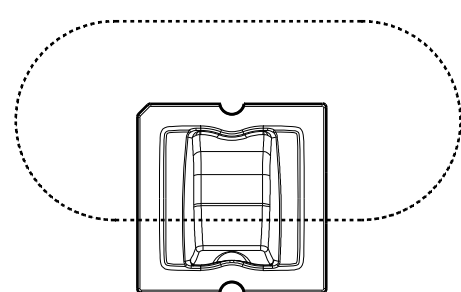
Isometric view



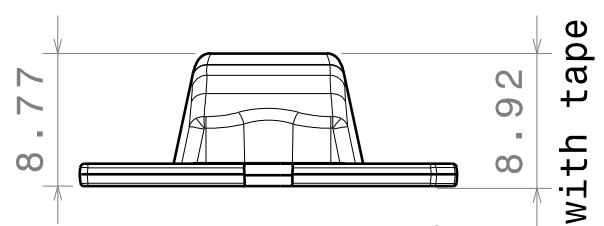
Bottom view  
 $\varnothing 3.2$

Tape area

3



Beam direction



Front view

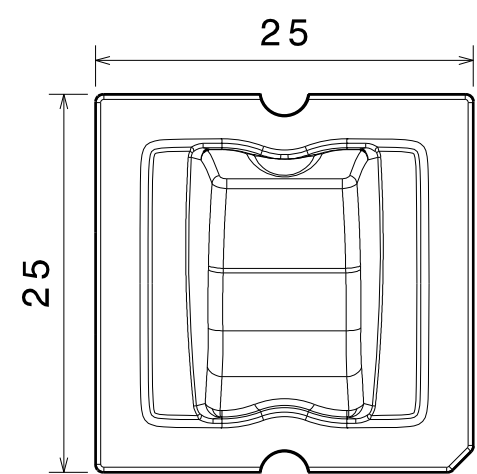
8.77  
 8.92  
 with tape

2

Part no.s:  
 C11816\_Strada-SQ-T-DN-XP  
 C11816\_Strada-SQ-T-DN-XP-G

Part no.s with tape:  
 CA11817\_Strada-SQ-T-DN-XP-TAPE  
 CA11817\_Strada-SQ-T-DN-XP-G-TAPE

MATERIALS  
 Lens: PMMA  
 Tape(optional): PU Foam



Top view

4

3

2

This drawing is our property.  
 It can't be reproduced  
 or communicated without  
 our written agreement.



Ledil Oy  
 Tehdaskatu 13  
 FIN-24100 SALO  
 Finland

DRAWING TITLE

Datasheet Strada-SQ-T-DN-XP Lens

DRAWN BY  
 mav

DATE  
 01.12.2010

CHECKED BY  
 pv

DATE  
 01.12.2010

SIZE  
 A4

DRAWING NUMBER  
 C11816

REV  
 1

DESIGNED BY  
 hh

DATE  
 01.12.2010

SCALE 2:1

WEIGHT (g)

SHEET

1 / 1

1

1

D

A