

Octal Buffer/Line Driver with 3-STATE Outputs

74AC244, 74ACT244

General Description

The AC/ACT244 is an octal buffer and line driver designed to be employed as a memory address driver, clock driver and bus-oriented transmitter/receiver which provides improved PC board density.

Features

- I_{CC} and I_{OZ} Reduced by 50%
- 3-STATE Outputs Drive Bus Lines or Buffer Memory Address Registers
- Outputs Source/Sink 24 mA
- ACT244 has TTL-Compatible Inputs

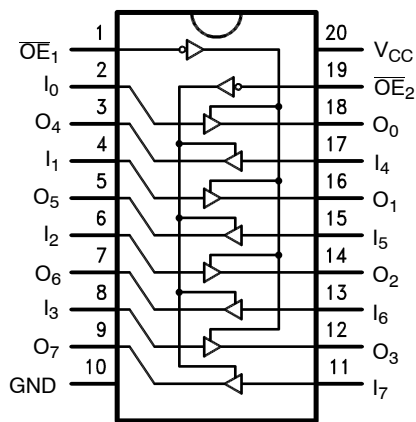


Figure 1. Connection Diagram

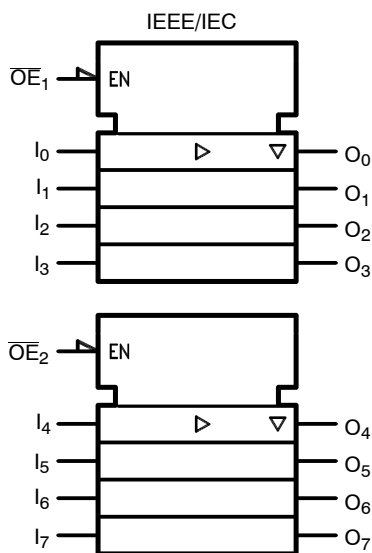
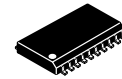
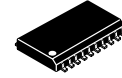


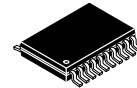
Figure 2. Logic Symbol



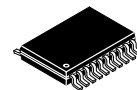
SOIC-20, 300 mils
CASE 751BJ-01



SOIC-20 WB
CASE 751D-05

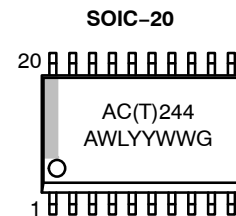


TSSOP-20 WB
CASE 948E

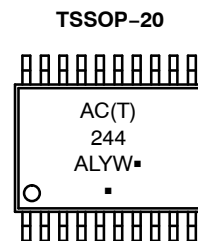


TSSOP20, 4.4 x 6.5
CASE 948AQ-01

MARKING DIAGRAMS



AC244, ACT244 = Specific Device Code
A = Assembly Location
WL = Wafer Lot
YY = Year
WW = Work Week
G = Pb-Free Package



AC244, ACT244 = Specific Device Code
A = Assembly Location
L = Wafer Lot
Y = Year
W = Work Week
▪ = Pb-Free Package

(Note: Microdot may be in either location)

ORDERING INFORMATION

See detailed ordering and shipping information in the package dimensions section on page 6 of this data sheet.

74AC244, 74ACT244

PIN DESCRIPTION

| Pin Name | Description |
|------------------------------------|------------------------------|
| $\overline{OE}_1, \overline{OE}_2$ | 3-STATE Output Enable Inputs |
| I_0-I_7 | Inputs |
| O_0-O_7 | Outputs |

TRUTH TABLE

| Inputs | | Outputs |
|-------------------|-------|-----------------------|
| \overline{OE}_1 | I_n | (Pins 12, 14, 16, 18) |
| L | L | L |
| L | H | H |
| H | X | Z |

TRUTH TABLE (continued)

| Inputs | | Outputs |
|-------------------|-------|-------------------|
| \overline{OE}_2 | I_n | (Pins 3, 5, 7, 9) |
| L | L | L |
| L | H | H |
| H | X | Z |

NOTE: X = Immaterial, Z = High Impedance

ABSOLUTE MAXIMUM RATINGS

| Parameter | Symbol | Rating | Unit |
|--|-----------------------|------------------------|-------------|
| Supply Voltage | V_{CC} | -0.5 to +7.0 | V |
| DC Input Diode Current $V_I = -0.5$ V | I_{IK} | -20 | mA |
| $V_I = V_{CC} + 0.5$ | | +20 | |
| DC Input Voltage | V_I | -0.5 to $V_{CC} + 0.5$ | V |
| DC Output Diode Current $V_O = -0.5$ V | I_{OK} | -20 | mA |
| $V_I = V_{CC} + 0.5$ V | | +20 | |
| DC Output Voltage | V_O | -0.5 to $V_{CC} + 0.5$ | V |
| DC Output Source or Sink Current | I_O | ± 50 | mA |
| DC V_{CC} or Ground Current per Output Pin | I_{CC} or I_{GND} | ± 50 | mA |
| Storage Temperature | T_{STG} | -65 to +150 | $^{\circ}C$ |
| Junction Temperature | T_J | 140 | $^{\circ}C$ |

Stresses exceeding those listed in the Maximum Ratings table may damage the device. If any of these limits are exceeded, device functionality should not be assumed, damage may occur and reliability may be affected.

RECOMMENDED OPERATING CONDITIONS

| Parameter | Symbol | Rating | Unit |
|---|-----------------------|---------------|-------------|
| Supply Voltage AC | V_{CC} | 2.0 to 6.0 | V |
| ACT | | 4.5 to 5.5 | |
| Input Voltage | V_I | 0 to V_{CC} | V |
| Output Voltage | V_O | 0 to V_{CC} | V |
| Operating Temperature | T_A | -40 to +85 | $^{\circ}C$ |
| Minimum Input Edge Rate, AC Devices: V_{IN} from 30% to 70% of V_{CC} , V_{CC} @ 3.3 V, 4.5 V, 5.5 V | $\Delta V / \Delta t$ | 125 | mV/ns |
| Minimum Input Edge Rate, ACT Devices: V_{IN} from 0.8 V to 2.0 V, V_{CC} @ 4.5 V, 5.5 V | $\Delta V / \Delta t$ | 125 | mV/ns |

Functional operation above the stresses listed in the Recommended Operating Ranges is not implied. Extended exposure to stresses beyond the Recommended Operating Ranges limits may affect device reliability.

74AC244, 74ACT244

DC ELECTRICAL CHARACTERISTICS FOR AC

| Symbol | Parameter | V _{CC} (V) | Conditions | T _A = +25°C | | T _A = -55°C to +125°C | T _A = -40°C to +85°C | Unit | |
|--------------------------|---|---------------------|--|--|---|----------------------------------|---------------------------------|------|------|
| | | | | Typ | Guaranteed Limits | | | | |
| V _{IH} | Minimum HIGH Level Input Voltage | 3.0 | V _{OUT} = 0.1 V or V _{CC} - 0.1 V | 1.5 | 2.1 | 2.1 | 2.1 | V | |
| | | 4.5 | | 2.25 | 3.15 | 3.15 | 3.15 | | |
| | | 5.5 | | 2.75 | 3.85 | 3.85 | 3.85 | | |
| V _{IL} | Maximum LOW Level Input Voltage | 3.0 | V _{OUT} = 0.1 V or V _{CC} - 0.1 V | 1.5 | 0.9 | 0.9 | 0.9 | V | |
| | | 4.5 | | 2.25 | 1.35 | 1.35 | 1.35 | | |
| | | 5.5 | | 2.75 | 1.65 | 1.65 | 1.65 | | |
| V _{OH} | Minimum HIGH Level Output Voltage | 3.0 | I _{OUT} = -50 μA | 2.99 | 2.9 | 2.9 | 2.9 | V | |
| | | 4.5 | | 4.49 | 4.4 | 4.4 | 4.4 | | |
| | | 5.5 | | 5.49 | 5.4 | 5.4 | 5.4 | | |
| | | 3.0 | V _{IN} = V _{IL} or V _{IH} , I _{OH} = 12 mA | | 2.56 | 2.40 | 2.46 | | |
| | | 4.5 | | V _{IN} = V _{IL} or V _{IH} , I _{OH} = 24 mA | | 3.86 | 3.70 | | 3.76 |
| | | 5.5 | | | V _{IN} = V _{IL} or V _{IH} , I _{OH} = 24 mA (Note 1) | | 4.86 | | 4.70 |
| V _{OL} | Maximum LOW Level Output Voltage | 3.0 | I _{OUT} = 50 μA | 0.002 | | 0.1 | 0.1 | 0.1 | V |
| | | 4.5 | | 0.001 | 0.1 | 0.1 | 0.1 | | |
| | | 5.5 | | 0.001 | 0.1 | 0.1 | 0.1 | | |
| | | 3.0 | V _{IN} = V _{IL} or V _{IH} , I _{OL} = 12 mA | | 0.36 | 0.50 | 0.44 | | |
| | | 4.5 | | V _{IN} = V _{IL} or V _{IH} , I _{OL} = 24 mA | | 0.36 | 0.50 | 0.44 | |
| | | 5.5 | | | V _{IN} = V _{IL} or V _{IH} , I _{OL} = 24 mA (Note 1) | | 0.36 | 0.50 | |
| I _{IN} (Note 2) | Maximum Input Leakage Current | 5.5 | V _I = V _{CC} , GND | | | ±0.1 | ±1.0 | ±1.0 | μA |
| I _{OZ} | Maximum 3-STATE Leakage Current | 5.5 | V _I (OE) = V _{IL} , V _{IH} ; V _I = V _{CC} , V _{GND} ; V _O = V _{CC} , GND | | ±0.25 | ±5.0 | ±2.5 | μA | |
| I _{OLD} | Minimum Dynamic Output Current (Note 3) | 5.5 | V _{OLD} = 1.65 V Max. | | | 50 | 75 | mA | |
| I _{OHD} | | 5.5 | V _{OHD} = 3.85 V Min. | | | -50 | -75 | mA | |
| I _{CC} (Note 2) | Maximum Quiescent Supply Current | 5.5 | V _{IN} = V _{CC} or GND | | 4.0 | 80.0 | 40.0 | μA | |

1. All outputs loaded; thresholds on input associated with output under test.
2. I_{IN} and I_{CC} @ 3.0 V are guaranteed to be less than or equal to the respective limit @ 5.5 V V_{CC}.
3. Maximum test duration 2.0 ms, one output loaded at a time.

74AC244, 74ACT244

DC ELECTRICAL CHARACTERISTICS FOR ACT

| Symbol | Parameter | V _{CC} (V) | Conditions | T _A = +25°C | | T _A = -55°C to +125°C | T _A = -40°C to +85°C | Unit |
|------------------|---|---------------------|---|------------------------|-------------------|----------------------------------|---------------------------------|------|
| | | | | Typ | Guaranteed Limits | | | |
| V _{IH} | Minimum HIGH Level Input Voltage | 4.5 | V _{OUT} = 0.1 V or V _{CC} - 0.1 V | 1.5 | 2.0 | 2.0 | 2.0 | V |
| | | 5.5 | | 1.5 | 2.0 | 2.0 | 2.0 | |
| V _{IL} | Maximum LOW Level Input Voltage | 4.5 | V _{OUT} = 0.1 V or V _{CC} - 0.1 V | 1.5 | 0.8 | 0.8 | 0.8 | V |
| | | 5.5 | | 1.5 | 0.8 | 0.8 | 0.8 | |
| V _{OH} | Minimum HIGH Level Output Voltage | 4.5 | I _{OUT} = -50 μA | 4.49 | 4.4 | 4.4 | 4.4 | V |
| | | 5.5 | | 5.49 | 5.4 | 5.4 | 5.4 | |
| | | 4.5 | V _{IN} = V _{IL} or V _{IH} , I _{OH} = 24 mA | | 3.86 | 3.70 | 3.76 | |
| | | 5.5 | V _{IN} = V _{IL} or V _{IH} , I _{OH} = 24 mA (Note 4) | | 4.86 | 4.70 | 4.76 | |
| V _{OL} | Maximum LOW Level Output Voltage | 4.5 | I _{OUT} = 50 μA | 0.001 | 0.1 | 0.1 | 0.1 | V |
| | | 5.5 | | 0.001 | 0.1 | 0.1 | 0.1 | |
| | | 4.5 | V _{IN} = V _{IL} or V _{IH} , I _{OL} = 24 mA | | 0.36 | 0.50 | 0.44 | |
| | | 5.5 | V _{IN} = V _{IL} or V _{IH} , I _{OL} = 24 mA (Note 4) | | 0.36 | 0.50 | 0.44 | |
| I _{IN} | Maximum Input Leakage Current | 5.5 | V _I = V _{CC} , GND | | ±0.1 | ±1.0 | ±1.0 | μA |
| I _{OZ} | Maximum 3-STATE Leakage Current | 5.5 | V _I = V _{IL} , V _{IH} ; V _O = V _{CC} , GND | | ±0.25 | ±5.0 | ±2.5 | μA |
| I _{CC1} | Maximum I _{CC} /Input | 5.5 | V _I = V _{CC} - 2.1 V | 0.6 | | 1.6 | 1.5 | mA |
| I _{OLD} | Minimum Dynamic Output Current (Note 5) | 5.5 | V _{OLD} = 1.65 V Max. | | | 50 | 75 | mA |
| I _{OHD} | | 5.5 | V _{OHD} = 3.85 V Min. | | | -50 | -75 | mA |
| I _{CC} | Maximum Quiescent Supply Current | 5.5 | V _{IN} = V _{CC} or GND | | 4.0 | 80.0 | 40.0 | μA |

4. All outputs loaded; thresholds on input associated with output under test.

5. Maximum test duration 2.0 ms, one output loaded at a time.

74AC244, 74ACT244

AC ELECTRICAL CHARACTERISTICS FOR AC

| Symbol | Parameter | V _{CC} (V) (Note 6) | T _A = +25°C, C _L = 50 pF | | | T _A = -55°C to +125°C C _L = 50 pF | | T _A = -40°C to +85°C C _L = 50 pF | | Unit |
|------------------|--------------------------------------|---------------------------------|---|-----|------|---|------|--|------|------|
| | | | Min | Typ | Max | Min | Max | Min | Max | |
| t _{PLH} | Propagation Delay, Data to Output | 3.3 | 2.0 | 6.5 | 9.0 | 1.0 | 12.5 | 1.5 | 10.0 | ns |
| | | 5.0 | 1.5 | 5.0 | 7.0 | 1.0 | 9.5 | 1.0 | 7.5 | |
| t _{PHL} | Propagation Delay, Data to Output | 3.3 | 2.0 | 6.5 | 9.0 | 1.0 | 12.0 | 2.0 | 10.0 | ns |
| | | 5.0 | 1.5 | 5.0 | 7.0 | 1.0 | 9.0 | 1.0 | 7.5 | |
| t _{PZH} | Output Enable Time | 3.3 | 2.0 | 6.0 | 10.5 | 1.0 | 11.5 | 1.5 | 11.0 | ns |
| | | 5.0 | 1.5 | 5.0 | 7.0 | 1.0 | 9.0 | 1.5 | 8.0 | |
| t _{PZL} | Output Enable Time | 3.3 | 2.5 | 7.5 | 10.0 | 1.0 | 13.0 | 2.0 | 11.0 | ns |
| | | 5.0 | 1.5 | 5.5 | 8.0 | 1.0 | 10.5 | 1.5 | 8.5 | |
| t _{PHZ} | Output Disable Time | 3.3 | 3.0 | 7.0 | 10.0 | 1.0 | 12.5 | 1.5 | 10.5 | ns |
| | | 5.0 | 2.5 | 6.5 | 9.0 | 1.0 | 10.5 | 1.0 | 9.5 | |
| t _{PLZ} | Output Disable Time | 3.3 | 2.5 | 7.5 | 10.5 | 1.0 | 13.0 | 2.5 | 11.5 | ns |
| | | 5.0 | 2.0 | 6.5 | 9.0 | 1.0 | 11.0 | 2.0 | 9.5 | |

6. Voltage range 3.3 is 3.3 V ± 0.3 V. Voltage range 5.0 is 5.0 V ± 0.5 V.

AC ELECTRICAL CHARACTERISTICS FOR ACT

| Symbol | Parameter | V _{CC} (V) (Note 7) | T _A = +25°C, C _L = 50 pF | | | T _A = -55°C to +125°C C _L = 50 pF | | T _A = -40°C to +85°C C _L = 50 pF | | Unit |
|------------------|--------------------------------------|---------------------------------|---|-----|------|---|------|--|------|------|
| | | | Min | Typ | Max | Min | Max | Min | Max | |
| t _{PLH} | Propagation Delay, Data to Output | 5.0 | 2.0 | 6.5 | 9.0 | 1.0 | 10.0 | 1.5 | 10.0 | ns |
| t _{PHL} | Propagation Delay, Data to Output | 5.0 | 2.0 | 7.0 | 9.0 | 1.0 | 10.0 | 1.5 | 10.0 | ns |
| t _{PZH} | Output Enable Time | 5.0 | 1.5 | 6.0 | 8.5 | 1.0 | 9.5 | 1.0 | 9.5 | ns |
| t _{PZL} | Output Enable Time | 5.0 | 2.0 | 7.0 | 9.5 | 1.0 | 11.0 | 1.5 | 10.5 | ns |
| t _{PHZ} | Output Disable Time | 5.0 | 2.0 | 7.0 | 9.5 | 1.0 | 11.0 | 1.5 | 10.5 | ns |
| t _{PLZ} | Output Disable Time | 5.0 | 2.5 | 7.5 | 10.0 | 1.0 | 11.5 | 2.0 | 10.5 | ns |

7. Voltage range 5.0 is 5.0 V ± 0.5 V.

CAPACITANCE

| Symbol | Parameter | Conditions | Typ | Unit |
|-----------------|-------------------------------|-------------------------|------|------|
| C _{IN} | Input Capacitance | V _{CC} = OPEN | 4.5 | pF |
| C _{PD} | Power Dissipation Capacitance | V _{CC} = 5.0 V | 45.0 | pF |

74AC244, 74ACT244

ORDERING INFORMATION

| Order Number | Package | Shipping† (Qty / Packing) |
|--------------|-----------------------|------------------------------|
| 74AC244SC | SOIC-20W (Pb-Free) | 38 / Tube |
| 74AC244SCX | SOIC-20W (Pb-Free) | 1000 / Tape & Reel |
| 74AC244MTC | TSSOP-20 (Pb-Free) | 75 / Tube |
| 74AC244MTCX | TSSOP-20 (Pb-Free) | 2500 / Tape & Reel |
| 74ACT244SC | SOIC-20W (Pb-Free) | 38 / Tube |
| 74ACT244SCX | SOIC-20W (Pb-Free) | 1000 / Tape & Reel |
| 74ACT244MTC | TSSOP-20 (Pb-Free) | 75 / Tube |
| 74ACT244MTCX | TSSOP-20 (Pb-Free) | 2500 / Tape & Reel |

†For information on tape and reel specifications, including part orientation and tape sizes, please refer to our Tape and Reel Packaging Specifications Brochure, BRD8011/D

NOTE: All packages are lead free per JEDEC: J-STD-020B standard.

MECHANICAL CASE OUTLINE

PACKAGE DIMENSIONS

ON Semiconductor®



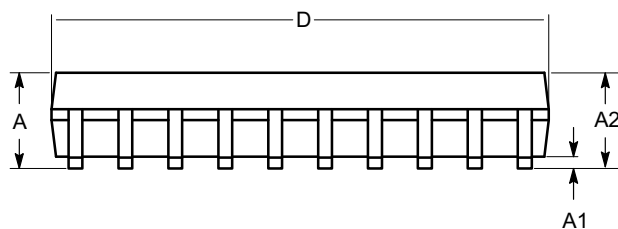
SOIC-20, 300 mils
CASE 751BJ-01
ISSUE O

DATE 19 DEC 2008

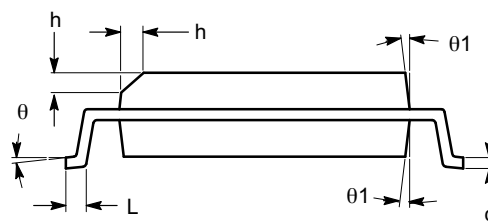


TOP VIEW

| SYMBOL | MIN | NOM | MAX |
|------------|----------|-------|-------|
| A | 2.36 | 2.49 | 2.64 |
| A1 | 0.10 | | 0.30 |
| A2 | 2.05 | | 2.55 |
| b | 0.31 | 0.41 | 0.51 |
| c | 0.20 | 0.27 | 0.33 |
| D | 12.60 | 12.80 | 13.00 |
| E | 10.01 | 10.30 | 10.64 |
| E1 | 7.40 | 7.50 | 7.60 |
| e | 1.27 BSC | | |
| h | 0.25 | | 0.75 |
| L | 0.40 | 0.81 | 1.27 |
| θ | 0° | | 8° |
| $\theta 1$ | 5° | | 15° |



SIDE VIEW



END VIEW

Notes:

- (1) All dimensions are in millimeters. Angles in degrees.
- (2) Complies with JEDEC MS-013.

| | | |
|-------------------------|--------------------------|---|
| DOCUMENT NUMBER: | 98AON34287E | Electronic versions are uncontrolled except when accessed directly from the Document Repository. Printed versions are uncontrolled except when stamped "CONTROLLED COPY" in red. |
| DESCRIPTION: | SOIC-20, 300 MILS | PAGE 1 OF 1 |

ON Semiconductor and are trademarks of Semiconductor Components Industries, LLC dba ON Semiconductor or its subsidiaries in the United States and/or other countries. ON Semiconductor reserves the right to make changes without further notice to any products herein. ON Semiconductor makes no warranty, representation or guarantee regarding the suitability of its products for any particular purpose, nor does ON Semiconductor assume any liability arising out of the application or use of any product or circuit, and specifically disclaims any and all liability, including without limitation special, consequential or incidental damages. ON Semiconductor does not convey any license under its patent rights nor the rights of others.

MECHANICAL CASE OUTLINE

PACKAGE DIMENSIONS

ON Semiconductor®



SCALE 1:1

SOIC-20 WB
CASE 751D-05
ISSUE H

DATE 22 APR 2015

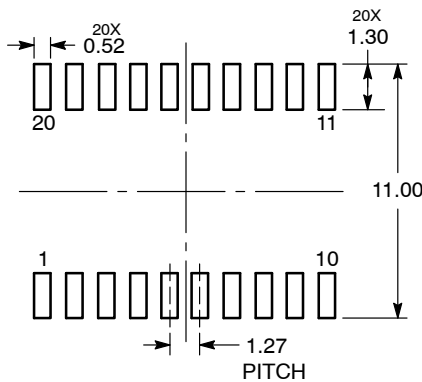


NOTES:

1. DIMENSIONS ARE IN MILLIMETERS.
2. INTERPRET DIMENSIONS AND TOLERANCES PER ASME Y14.5M, 1994.
3. DIMENSIONS D AND E DO NOT INCLUDE MOLD PROTRUSION.
4. MAXIMUM MOLD PROTRUSION 0.15 PER SIDE.
5. DIMENSION B DOES NOT INCLUDE DAMBAR PROTRUSION. ALLOWABLE PROTRUSION SHALL BE 0.13 TOTAL IN EXCESS OF B DIMENSION AT MAXIMUM MATERIAL CONDITION.

| DIM | MILLIMETERS | |
|-----|-------------|-------|
| | MIN | MAX |
| A | 2.35 | 2.65 |
| A1 | 0.10 | 0.25 |
| b | 0.35 | 0.49 |
| c | 0.23 | 0.32 |
| D | 12.65 | 12.95 |
| E | 7.40 | 7.60 |
| e | 1.27 BSC | |
| H | 10.05 | 10.55 |
| h | 0.25 | 0.75 |
| L | 0.50 | 0.90 |
| θ | 0° | 7° |

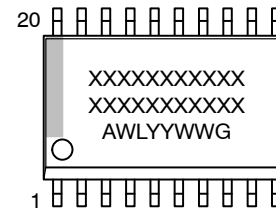
RECOMMENDED
SOLDERING FOOTPRINT*



DIMENSIONS: MILLIMETERS

*For additional information on our Pb-Free strategy and soldering details, please download the ON Semiconductor Soldering and Mounting Techniques Reference Manual, SOLDERRM/D.

GENERIC
MARKING DIAGRAM*



- XXXXXX = Specific Device Code
- A = Assembly Location
- WL = Wafer Lot
- YY = Year
- WW = Work Week
- G = Pb-Free Package

*This information is generic. Please refer to device data sheet for actual part marking. Pb-Free indicator, "G" or microdot "▪", may or may not be present.

| | | |
|------------------|-------------|--|
| DOCUMENT NUMBER: | 98ASB42343B | Electronic versions are uncontrolled except when accessed directly from the Document Repository. Printed versions are uncontrolled except when stamped "CONTROLLED COPY" in red. |
| DESCRIPTION: | SOIC-20 WB | PAGE 1 OF 1 |

ON Semiconductor and ON are trademarks of Semiconductor Components Industries, LLC dba ON Semiconductor or its subsidiaries in the United States and/or other countries. ON Semiconductor reserves the right to make changes without further notice to any products herein. ON Semiconductor makes no warranty, representation or guarantee regarding the suitability of its products for any particular purpose, nor does ON Semiconductor assume any liability arising out of the application or use of any product or circuit, and specifically disclaims any and all liability, including without limitation special, consequential or incidental damages. ON Semiconductor does not convey any license under its patent rights nor the rights of others.

MECHANICAL CASE OUTLINE PACKAGE DIMENSIONS

ON Semiconductor®



TSSOP-20 WB
CASE 948E
ISSUE D

DATE 17 FEB 2016

SCALE 2:1



NOTES:

1. DIMENSIONING AND TOLERANCING PER ANSI Y14.5M, 1982.
2. CONTROLLING DIMENSION: MILLIMETER.
3. DIMENSION A DOES NOT INCLUDE MOLD FLASH, PROTRUSIONS OR GATE BURRS. MOLD FLASH OR GATE BURRS SHALL NOT EXCEED 0.15 (0.006) PER SIDE.
4. DIMENSION B DOES NOT INCLUDE INTERLEAD FLASH OR PROTRUSION. INTERLEAD FLASH OR PROTRUSION SHALL NOT EXCEED 0.25 (0.010) PER SIDE.
5. DIMENSION K DOES NOT INCLUDE DAMBAR PROTRUSION. ALLOWABLE DAMBAR PROTRUSION SHALL BE 0.08 (0.003) TOTAL IN EXCESS OF THE K DIMENSION AT MAXIMUM MATERIAL CONDITION.
6. TERMINAL NUMBERS ARE SHOWN FOR REFERENCE ONLY.
7. DIMENSION A AND B ARE TO BE DETERMINED AT DATUM PLANE -W-.

| DIM | MILLIMETERS | | INCHES | |
|-----|-------------|------|-----------|-------|
| | MIN | MAX | MIN | MAX |
| A | 6.40 | 6.60 | 0.252 | 0.260 |
| B | 4.30 | 4.50 | 0.169 | 0.177 |
| C | --- | 1.20 | --- | 0.047 |
| D | 0.05 | 0.15 | 0.002 | 0.006 |
| F | 0.50 | 0.75 | 0.020 | 0.030 |
| G | 0.65 BSC | | 0.026 BSC | |
| H | 0.27 | 0.37 | 0.011 | 0.015 |
| J | 0.09 | 0.20 | 0.004 | 0.008 |
| J1 | 0.09 | 0.16 | 0.004 | 0.006 |
| K | 0.19 | 0.30 | 0.007 | 0.012 |
| K1 | 0.19 | 0.25 | 0.007 | 0.010 |
| L | 6.40 BSC | | 0.252 BSC | |
| M | 0° | 8° | 0° | 8° |



SOLDERING FOOTPRINT



GENERIC MARKING DIAGRAM*



- A = Assembly Location
- L = Wafer Lot
- Y = Year
- W = Work Week
- = Pb-Free Package

(Note: Microdot may be in either location)

*This information is generic. Please refer to device data sheet for actual part marking. Pb-Free indicator, "G" or microdot "▪", may or may not be present.

| | | |
|------------------|-------------|--|
| DOCUMENT NUMBER: | 98ASH70169A | Electronic versions are uncontrolled except when accessed directly from the Document Repository. Printed versions are uncontrolled except when stamped "CONTROLLED COPY" in red. |
| DESCRIPTION: | TSSOP-20 WB | PAGE 1 OF 1 |

ON Semiconductor and ON are trademarks of Semiconductor Components Industries, LLC dba ON Semiconductor or its subsidiaries in the United States and/or other countries. ON Semiconductor reserves the right to make changes without further notice to any products herein. ON Semiconductor makes no warranty, representation or guarantee regarding the suitability of its products for any particular purpose, nor does ON Semiconductor assume any liability arising out of the application or use of any product or circuit, and specifically disclaims any and all liability, including without limitation special, consequential or incidental damages. ON Semiconductor does not convey any license under its patent rights nor the rights of others.

MECHANICAL CASE OUTLINE

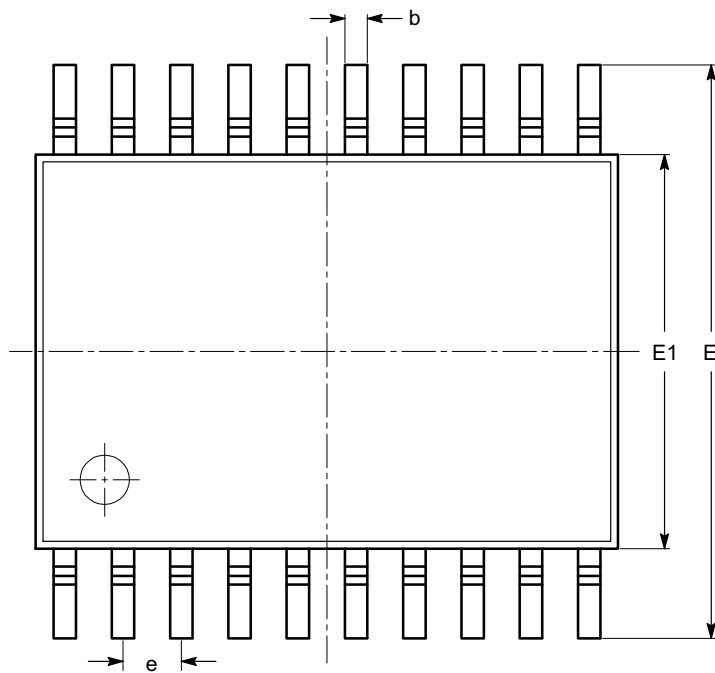
PACKAGE DIMENSIONS

ON Semiconductor®



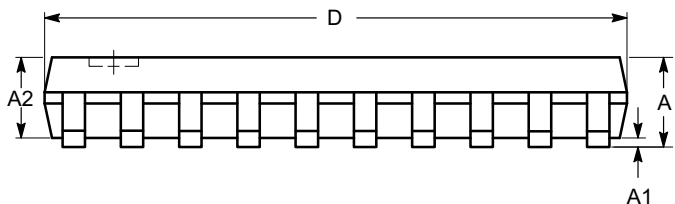
TSSOP20, 4.4x6.5
CASE 948AQ-01
ISSUE A

DATE 19 MAR 2009

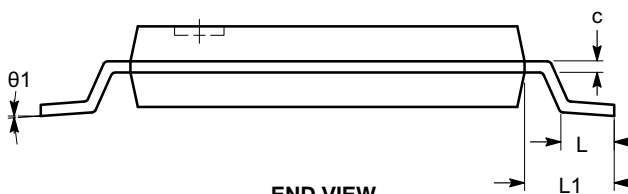


| SYMBOL | MIN | NOM | MAX |
|----------|----------|------|------|
| A | | | 1.20 |
| A1 | 0.05 | | 0.15 |
| A2 | 0.80 | | 1.05 |
| b | 0.19 | | 0.30 |
| c | 0.09 | | 0.20 |
| D | 6.40 | 6.50 | 6.60 |
| E | 6.30 | 6.40 | 6.50 |
| E1 | 4.30 | 4.40 | 4.50 |
| e | 0.65 BSC | | |
| L | 0.45 | 0.60 | 0.75 |
| L1 | 1.00 REF | | |
| θ | 0° | | 8° |

TOP VIEW



SIDE VIEW



END VIEW

Notes:

- (1) All dimensions are in millimeters. Angles in degrees.
- (2) Complies with JEDEC MO-153.

| | | |
|-------------------------|-------------------------|--|
| DOCUMENT NUMBER: | 98AON34453E | Electronic versions are uncontrolled except when accessed directly from the Document Repository. Printed versions are uncontrolled except when stamped "CONTROLLED COPY" in red. |
| DESCRIPTION: | TSSOP20, 4.4X6.5 | PAGE 1 OF 1 |

ON Semiconductor and are trademarks of Semiconductor Components Industries, LLC dba ON Semiconductor or its subsidiaries in the United States and/or other countries. ON Semiconductor reserves the right to make changes without further notice to any products herein. ON Semiconductor makes no warranty, representation or guarantee regarding the suitability of its products for any particular purpose, nor does ON Semiconductor assume any liability arising out of the application or use of any product or circuit, and specifically disclaims any and all liability, including without limitation special, consequential or incidental damages. ON Semiconductor does not convey any license under its patent rights nor the rights of others.

onsemi, **Onsemi**, and other names, marks, and brands are registered and/or common law trademarks of Semiconductor Components Industries, LLC dba "**onsemi**" or its affiliates and/or subsidiaries in the United States and/or other countries. **onsemi** owns the rights to a number of patents, trademarks, copyrights, trade secrets, and other intellectual property. A listing of **onsemi**'s product/patent coverage may be accessed at www.onsemi.com/site/pdf/Patent-Marking.pdf. **onsemi** reserves the right to make changes at any time to any products or information herein, without notice. The information herein is provided "as-is" and **onsemi** makes no warranty, representation or guarantee regarding the accuracy of the information, product features, availability, functionality, or suitability of its products for any particular purpose, nor does **onsemi** assume any liability arising out of the application or use of any product or circuit, and specifically disclaims any and all liability, including without limitation special, consequential or incidental damages. Buyer is responsible for its products and applications using **onsemi** products, including compliance with all laws, regulations and safety requirements or standards, regardless of any support or applications information provided by **onsemi**. "Typical" parameters which may be provided in **onsemi** data sheets and/or specifications can and do vary in different applications and actual performance may vary over time. All operating parameters, including "Typicals" must be validated for each customer application by customer's technical experts. **onsemi** does not convey any license under any of its intellectual property rights nor the rights of others. **onsemi** products are not designed, intended, or authorized for use as a critical component in life support systems or any FDA Class 3 medical devices or medical devices with a same or similar classification in a foreign jurisdiction or any devices intended for implantation in the human body. Should Buyer purchase or use **onsemi** products for any such unintended or unauthorized application, Buyer shall indemnify and hold **onsemi** and its officers, employees, subsidiaries, affiliates, and distributors harmless against all claims, costs, damages, and expenses, and reasonable attorney fees arising out of, directly or indirectly, any claim of personal injury or death associated with such unintended or unauthorized use, even if such claim alleges that **onsemi** was negligent regarding the design or manufacture of the part. **onsemi** is an Equal Opportunity/Affirmative Action Employer. This literature is subject to all applicable copyright laws and is not for resale in any manner.

PUBLICATION ORDERING INFORMATION

LITERATURE FULFILLMENT:

Email Requests to: orderlit@onsemi.com

onsemi Website: www.onsemi.com

TECHNICAL SUPPORT

North American Technical Support:

Voice Mail: 1 800-282-9855 Toll Free USA/Canada

Phone: 011 421 33 790 2910

Europe, Middle East and Africa Technical Support:

Phone: 00421 33 790 2910

For additional information, please contact your local Sales Representative