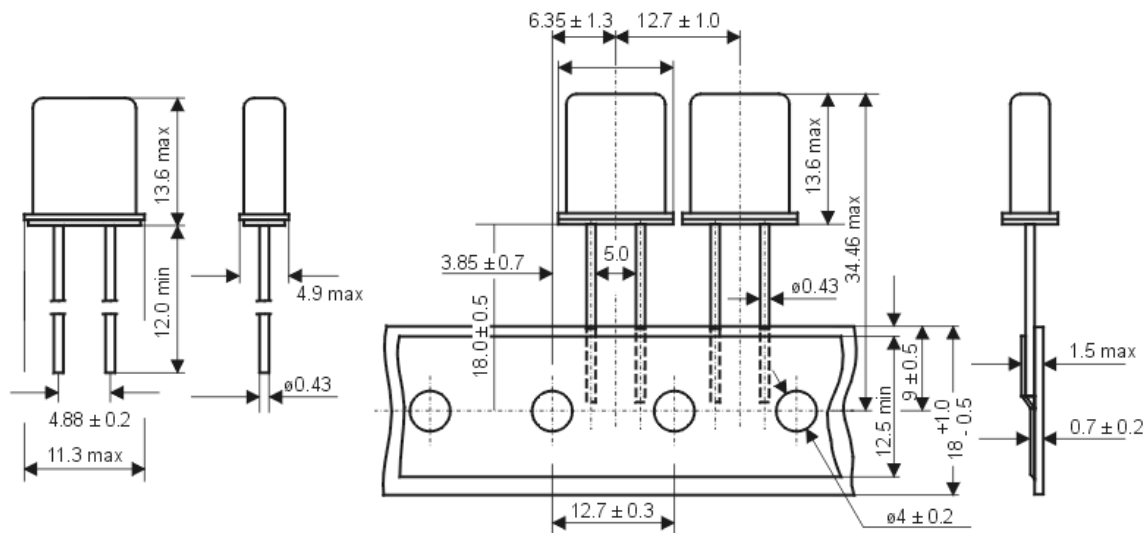


Quartz Crystal

HC-49/U

model	KX-49
frequency	4,0 MHz
mode	fundamental
operating temperature	-20° ~ + 70°C
frequency tolerance at +25°C	± 30 ppm
temperature tolerance at -20° ~ +70°C	± 50 ppm
load capacitance C_L	30 pF
series resonance R_1 max.	60 Ohm
aging (first year)	± 5 ppm
shunt capacitance C_0 max.	7 pF
drive level mW max	0,5 ~ 2
RoHS	started from date code July, 2005
order no.	12.81224



taped crystals upon request