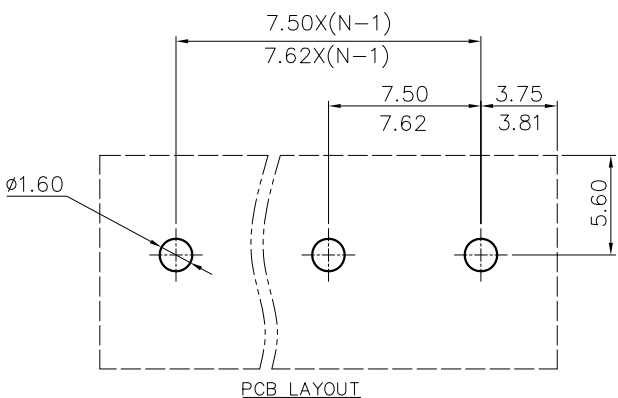
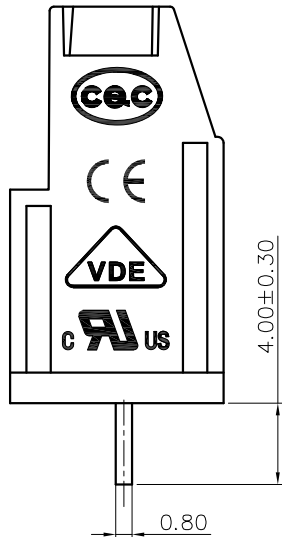
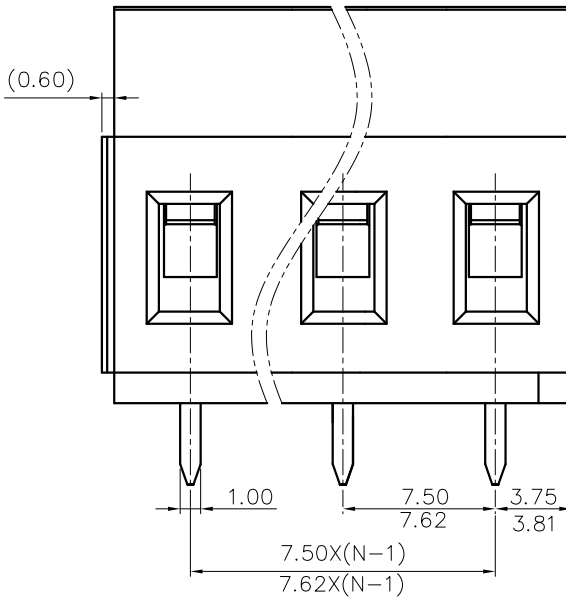
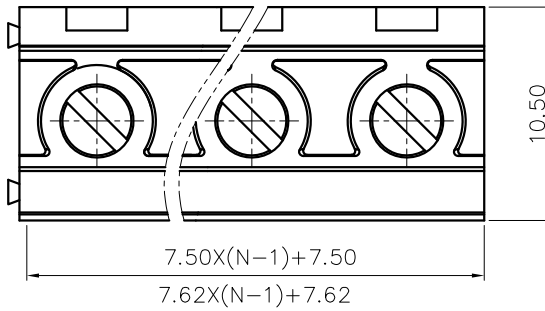


REVISION RECORD				
REV	ECN	DESCRIPTION	DRFT	DATE



NOTES1:

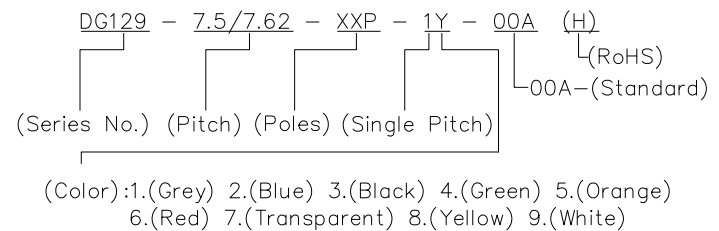
- UL Standard
 - Rated voltage/current : 300V / 20A
 - Torque value : M3 , 4.43Lb.in
 - Wire range : 26~12AWG
- IEC Standard
 - Rated voltage/current : 450V / 20A
 - Torque value : M3 , 0.5N·m
 - Wire range : 2.5mm²

NOTES2:

- Dimension shall be interpreted per ASME Y14.5-2009
- Pitch : 7.50/7.62mm, Poles : N=02~24P
- Stripping length : 6~7mm
- Withstanding voltage : AC2000V/1Min.
- Operating temperature : -40°C~+105°C
- Undimensioned tolerances:

Pitch range in mm	Nominal dimension range in mm						0.1/10	
	Over 6 TO 10	Over 10 TO 24	Over 30 TO 60	Over 60 TO 100	Over 100 TO 150	Over 150		
±0.15	±0.20	±0.30	±0.30	±0.50	±0.70	±1.00	±1.30	±2'

7.RoHS Compliance



DETACHED LISTS	PART NO.:	/			
	APPD:	/			
	CHKD:	/			
	DRFT:	/			
		DO NOT SCALE DRAWING		REV	DO
		SHEET 1/1		SCALE	1:1

宁波高松电子有限公司
NINGBO DEGSON ELECTRICAL CO., LTD

NAME: DG129-7.5/7.62-XXP-1Y-00A(H)

TITLE: CUSTOMER DRAWING

DRAWING NO.: /

MM (INCH) SCALE 1:1