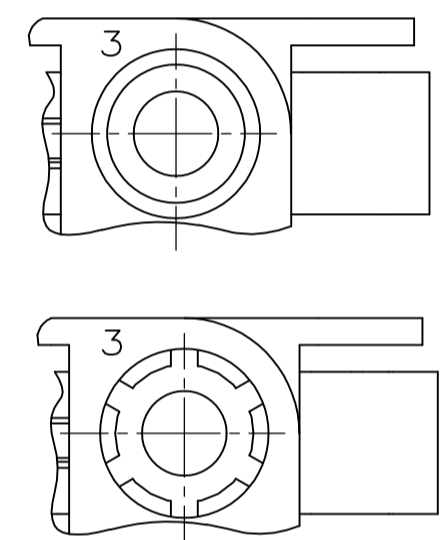
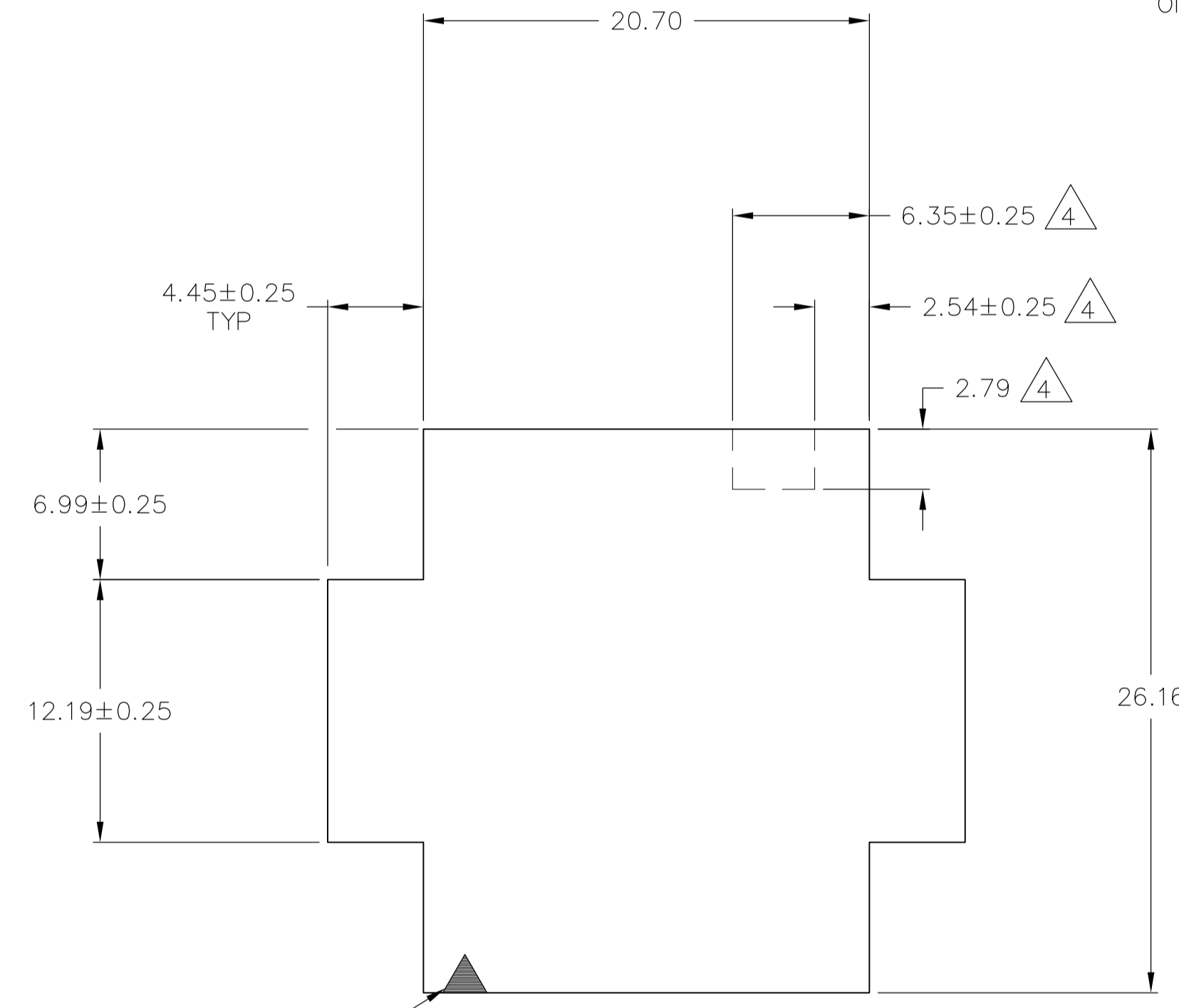
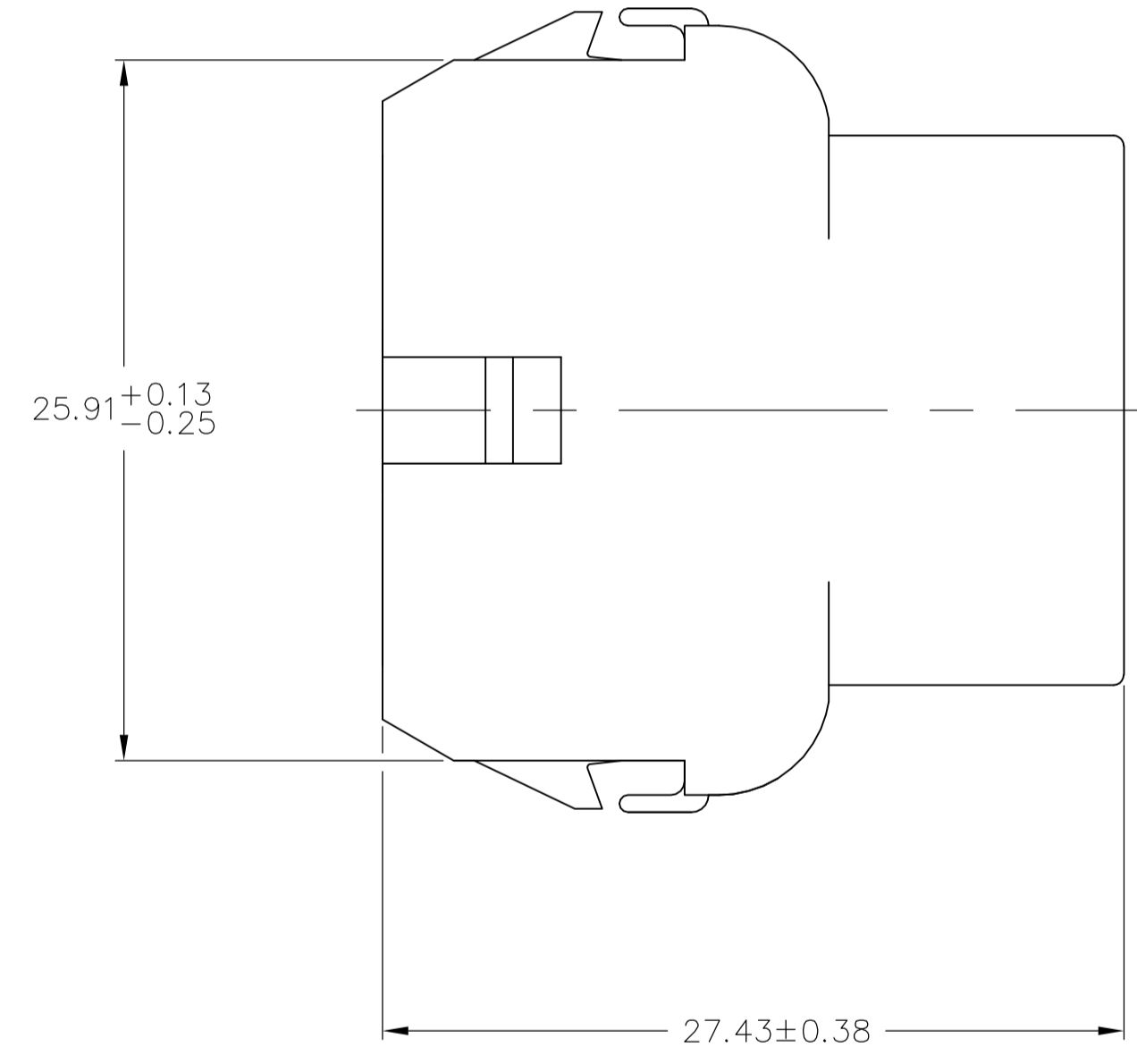


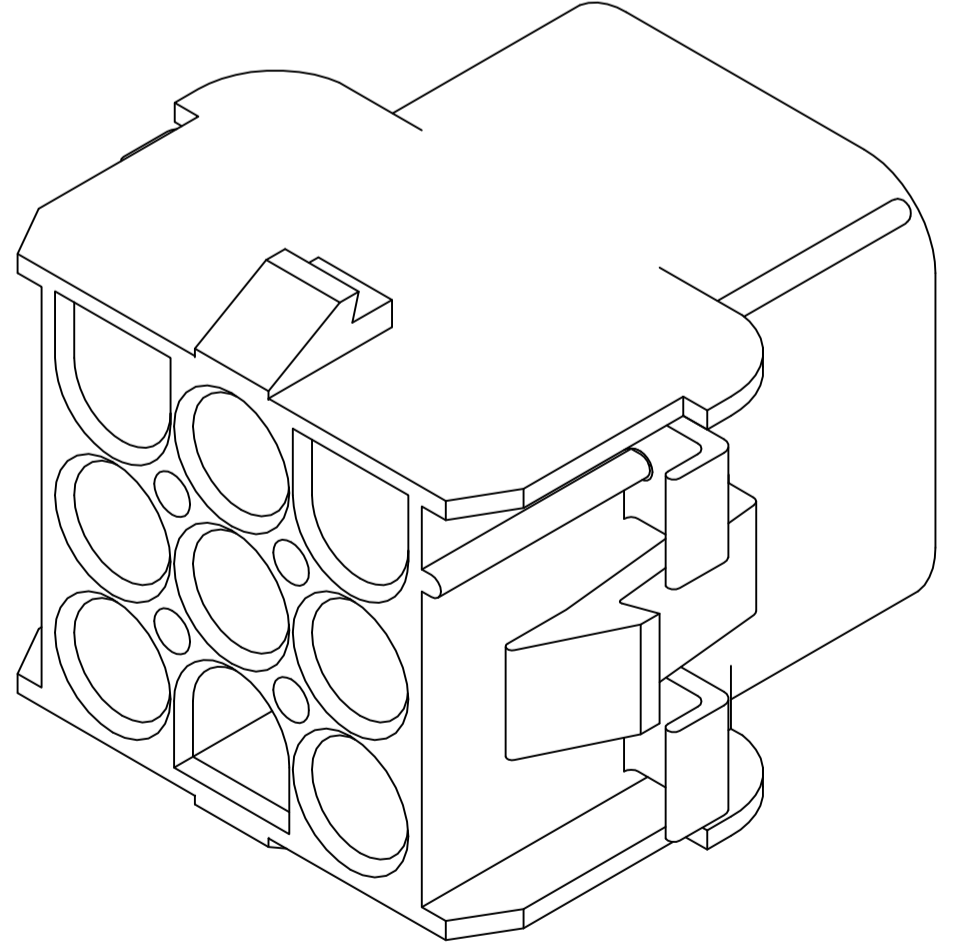
1. MATES WITH APPROPRIATE UNIVERSAL MATE-N-LOK™ PLUG.
2. RECOMMENDED PANEL THICKNESS 0.76 - 2.29.
3. PANEL MUST BE PUNCHED SO THAT THE HOUSING ENTERS THE PANEL IN THE SAME DIRECTION AS THE PUNCH.
4. OPTIONAL FOR KEYING HOUSING IN PANEL.
5. CIRCUIT NUMBER 1 LOCATION.
6. DIMENSIONS SHOWN REPRESENT PRODUCT IN DRY, AS MOLDED, CONDITION. ADDITIONAL 2% GROWTH DUE TO SUBSEQUENT MOISTURE ABSORPTION MAY OCCUR AND SHOULD BE ACCOUNTED FOR.
7. FOUR RIBS EQUALLY SPACED, NO SPECIFIC ORIENTATION. NO RIBS OR SIX RIBS EQUALLY SPACED, NO SPECIFIC ORIENTATION, OPTIONAL.
8. UNDERWRITERS RECOGNIZED COMPONENT LOGO AND CSA CERTIFICATION LOGO TO BE LOCATED ONCE EACH ON SIDE OF HOUSING.



DETAIL A  
OPTIONAL CONSTRUCTIONS



RECOMMENDED PANEL CUT OUT



3-DIMENSIONAL MODEL  
NTS

BLACK	1-350782-9
GRAY	1-350782-8
BLUE	1-350782-6
GREEN	1-350782-5
YELLOW	1-350782-4
ORANGE	1-350782-3
RED	1-350782-2
BROWN	1-350782-1
NATURAL	350782-1
COLOR	PART NO.

6.35	.250	-	-
4.45	.175	27.43	1.080
2.79	.110	26.16	1.030
2.54	.100	25.91	1.020
2.29	.090	20.70	.815
0.76	.030	20.32	.800
0.38	.015	12.19	.480
0.25	.010	8.13	.320
0.13	.005	6.99	.275
MM	IN	MM	IN

CONVERSION TABLE

THIS DRAWING IS A CONTROLLED DOCUMENT.

DIMENSIONS:	TOLERANCES UNLESS OTHERWISE SPECIFIED:	DWN	K. WHITAKER	17 JUN 92
mm	0.13 ± .005	CHK	R. SWING	17 JUN 92
	0.25 ± .010	APP'D	D. SELF	17 JUN 92
	0.38 ± .015	PRODUCT SPEC		
	0.76 ± .030	APPLICATION SPEC		
	2.29 ± .090	SIZE	A1	CAGE CODE
	4.45 ± 0.25	DRAWING NO	00779	DRAWING NO
	6.35 ± 0.25	RESTRICTED TO		
	12.19 ± 0.25	WEIGHT		
	20.32 ± 0.32	CUSTOMER DRAWING		
	25.91 ± 0.13	SCALE	4:1	SHEET 1 OF 1
	27.43 ± 0.38	REV	V4	

MATERIAL: NYLON,UL 94V-0 FINISH: -

NAME: CAP,9 CIRCUIT, UNIVERSAL MATE-N-LOK(TM)

SCALE: 4:1 SHEET 1 OF 1 REV V4