

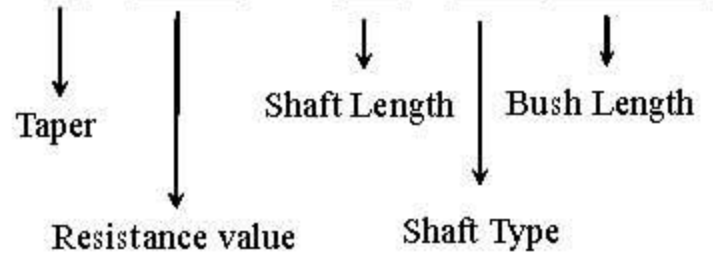
# 16mm Metal Shaft Rotary Potentiometer – With Switch

**S16KN1**

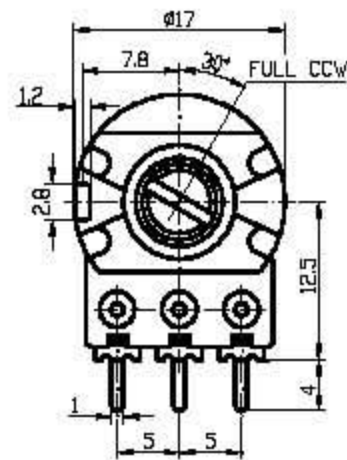
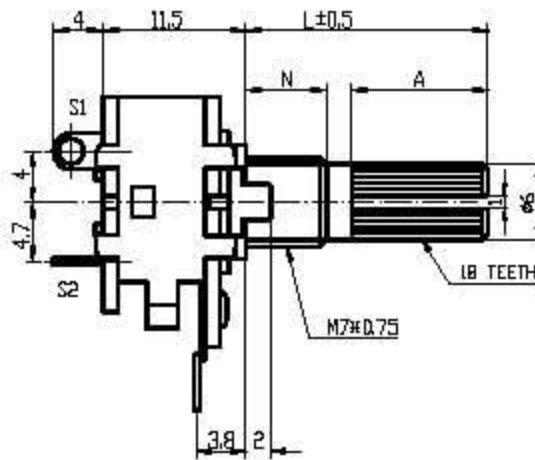


## Part Number

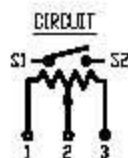
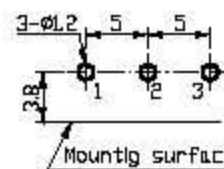
**S16KN1 – B 10K, L- 20 KC/N=6.5**



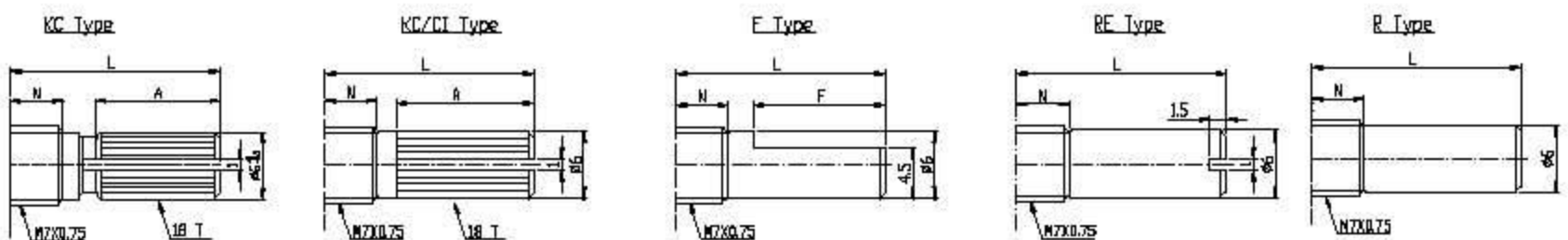
## Dimensions



PCB LAYOUT



## Shaft Type



		N=6.5mm								
Shaft Type	L	10	15	17	20	25	30	35	40	
KC	A	2.2	6	8	10	12	12	12	12	
	M	0.5	1	1	2	2	4	4	4	
KC/CI	A	1.5	6.5	8.5	11.5	16.5	19			
F	F	2.5	7	7	12	12	12	12	12	
R,RE	L	10	15	17	20	25	30	35	40	

		N=5mm								
Shaft Type	L	10	12	15	17	20	25	30	35	40
KC	A	3.2		6	8	12	12	12	12	12
	M	0.5		1	1	2	2	4	4	4
KC/CI	A	1.5	5	8	10	13				
F	F	4	4	7	7	12	12	12	12	12
R,RE	L	10		15	17	20	25	30	35	40

## 16mm Metal Shaft Rotary Potentiometer – With Switch

### General

<b>Operating temperature</b>	<b>-10 °C ~ +70 °C</b>
<b>Manual soldering</b>	<b>300 °C Max 3sec</b>

### Electrical Characteristics

<b>Total resistance</b>	<b>500Ω~2MΩ</b>
<b>Resistance tolerance</b>	<b>±20% (more than 1MΩ ±30%)</b>
<b>Resistance taper</b>	<b>A B C W MN</b>
<b>Sliding noise</b>	<b>Less than 47 mV</b>
<b>Residual resistance</b>	<b>≤ 20 Ω (R&gt;10K) ≤ 10 Ω (R≤10K)</b>
<b>Switch contact resistance</b>	<b>Less than 50 mΩ</b>
<b>Insulation resistance</b>	<b>More than 100 MΩ at DC 500 V</b>
<b>Rated power(W)</b>	<b>Linear (B) taper : 0.125 W Other taper : 0.06W</b>
<b>Switch rated power</b>	<b>125 V/AC 1 A</b>
<b>Max. Operating voltage</b>	<b>Linear (B) taper : 200 V Other taper : 150 V</b>
<b>Withstand voltage</b>	<b>1 Minute at AC 500 V</b>
<b>Switch withstand voltage</b>	<b>1 Minute at AC 1000 V</b>

### Mechanical Characteristics

<b>Total rotational angle</b>	<b>300°±5 °(Switch angle: 35°±5 °)</b>
<b>Rotational torque</b>	<b>30~200 gf.cm</b>
<b>Switch Action</b>	<b>50~350gf.cm</b>
<b>Rotational stopper strength</b>	<b>8 Kgf.cm Max</b>
<b>Shaft push-pull strength</b>	<b>7 Kgf. Max.</b>
<b>Rotational life</b>	<b>15,000 Cycles (Switch life: 10,000 Cycles)</b>