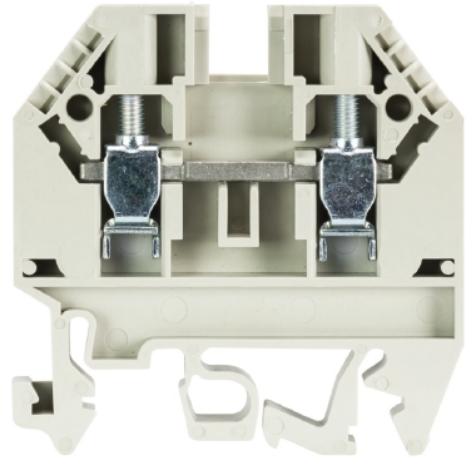


Data sheet

Commercial Art.No.: 57.504.4455.0

Feed-through terminal WK 4 TKS D / U V0

Feed-through DIN rail terminal block with screw connection for mounting on TS 35 and TS 32, nominal cross section 4 mm², width 6 mm, color gray



| | |
|--------------------|---------------|
| Commercial Art.No. | 57.504.4455.0 |
| EAN | 4015573551176 |
| Order Unit | 100 |

Certificates / Approvals



Technical data

General

| | |
|--|--------------------------------|
| Nominal cross section | 4 mm ² |
| Color | Grey |
| Number of levels | 1 |
| Number of clamp positions per level | 2 |
| Width/grid dimension | 6 mm |
| Insulating housing | PA666 |
| Inflammability class of insulation material acc. with UL94 | V0 |
| Explosion-tested version "Ex e" | No |
| Mounting method | DIN rail (top hat rail)/G-rail |
| Terminal blocks for electrical installations | yes |

Technical data

| | |
|-----------------------------|---------------|
| Rated current | 32 A |
| Rated voltage | 800 V |
| Rated impulse voltage | 8 kV |
| Pollution degree | 3 |
| Closing plate required | yes |
| Type of insulation material | Thermoplastic |
| Length | 48 mm |

Connection Data

| | |
|-------------------|------------------|
| Connection type 1 | screw connection |
|-------------------|------------------|

| | |
|-------------------------------------|---------------------|
| Connection type 2 | screw connection |
| Minimum cross section solid | 0.5 mm ² |
| Maximum cross section solid | 6 mm ² |
| Minimum cross section fine stranded | 0.5 mm ² |
| Maximum cross section fine stranded | 4 mm ² |
| Wire strip length | 9 mm |
| Torque conductor mounting | 0.5 Nm |

Technical Data UL/CSA

| | |
|------------------------|-----------|
| Cross section UL | 22-10 AWG |
| Voltage UL | 300 V |
| Current factory wiring | 25 A |
| Current field wiring | 25 A |
| Cross section CSA | 20-10 AWG |
| Voltage CSA | 600 V |
| Current CSA | 20 A |

Classification

| | |
|------------|----------|
| ECLASS 11 | |
| ECLASS 8.1 | 27141120 |
| ETIM 7.0 | EC000897 |
| ETIM 6.0 | EC000897 |
| ETIM 5.0 | EC000897 |
| ETIM 4.0 | EC000897 |
| ETIM 3.0 | EC000897 |

Product compliance

| | |
|------------------------------|-----------|
| ROHS conformity status | Compliant |
| REACH-SVHC conformity status | Compliant |

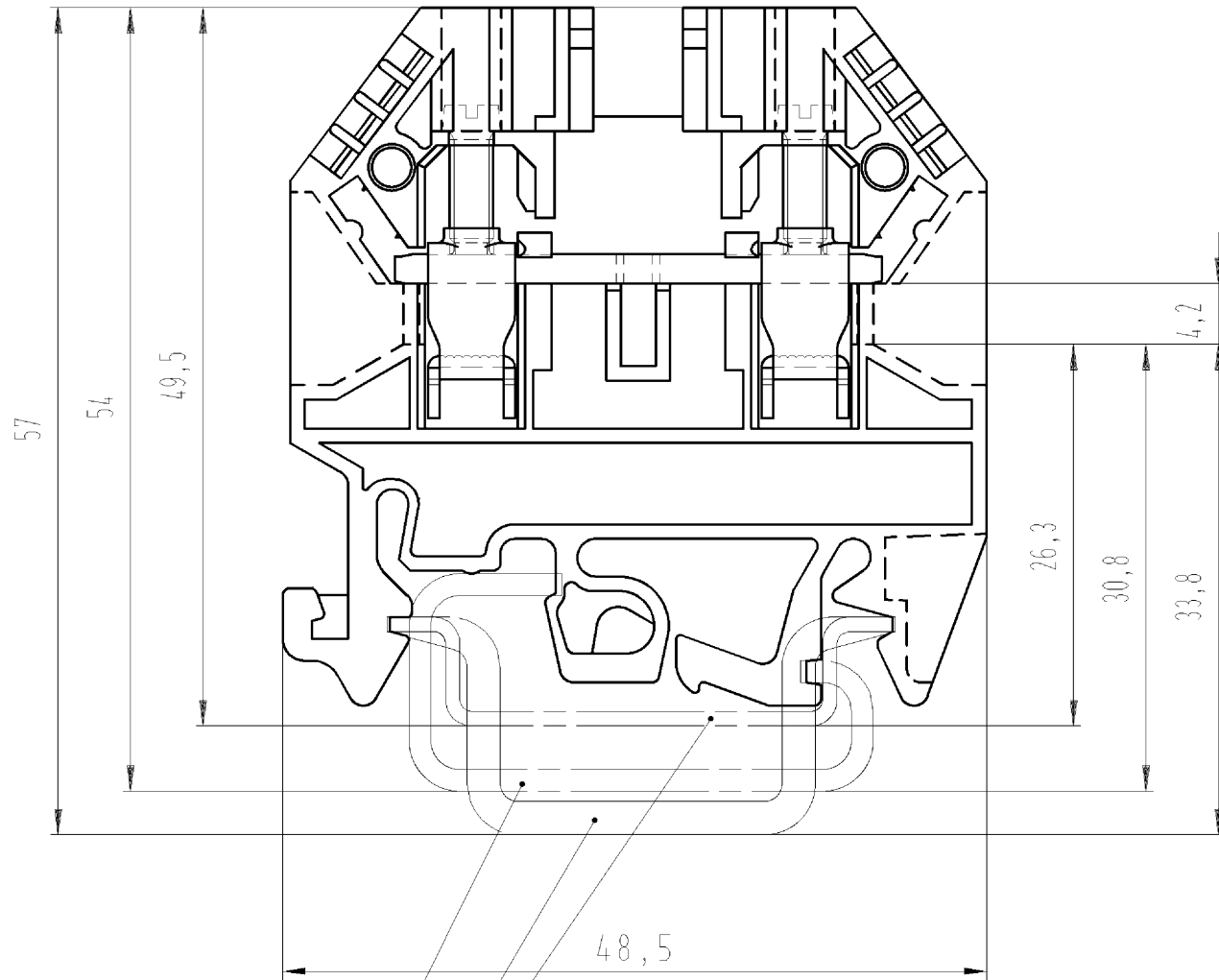
Accessories

| Commercial Art.No.: | Article-type description: | Description: |
|---------------------|--|---|
| Z7.255.4227.0 | Jumper bar IVB 1 WK4.. - 2 | Jumper comp, insulated for DIN rail terminal blocks type WK ..., 2 - pole |
| Z7.255.4327.0 | Jumper bar IVB 1 WK4.. - 3 | Jumper comp, insulated for DIN rail terminal blocks type WK ..., 3 - pole |
| Z7.255.4427.0 | Jumper bar IVB 1 WK4.. - 4 | Jumper comp, insulated for DIN rail terminal blocks type WK ..., 4 - pole |
| Z7.255.4527.0 | Jumper bar IVB 1 WK4.. - 5 | Jumper comp, insulated for DIN rail terminal blocks type WK ..., 5 - pole |
| Z7.255.4627.0 | Jumper bar IVB 1 WK4.. - 6 | Jumper comp, insulated for DIN rail terminal blocks type WK ..., 6 - pole |
| 98.190.0000.0 | Mounting rail TS 32 UNPERF - l:2000mm | Mounting rail G 32, unslotted, Höhe 5,5 mm, length 2 m, material steel. galv. zinc-plated and dichromated |
| 98.190.1000.0 | Mounting rail TS 32 PERF 15mm - l:2000mm | Mounting rail G 32, slotted, Höhe 15 mm, length 2 m, material steel. galv. zinc-plated and dichromated |
| 98.210.0000.0 | Mounting rail TS 32 UNPERF AL - l:2000mm | Mounting rail G 32, unslotted, Höhe 15 mm, length 2 m, material Aluminium |
| 98.220.0000.0 | Mounting rail TS 32 UNPERF CU - l:2000mm | Mounting rail G 32, unslotted, Höhe 15 mm, length 2 m, material E copper |

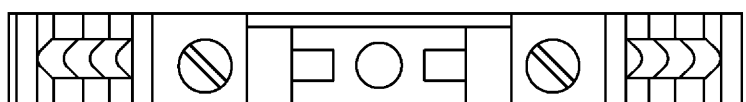
| | | |
|---------------|--|--|
| 98.300.0000.0 | Mounting rail TS 35x7,5 UNPERF - l:2000mm | Mounting rail TS 35, unslotted, size 7,5 mm, length 2 m, material steel. galv. zinc-plated and dichromated |
| 98.300.1000.0 | Mounting rail TS 35x7,5 PERF 15mm - l:2000mm | Mounting rail TS 35, slotted, size 7,5 mm, length 2 m, material steel. galv. zinc-plated and dichromated |
| 98.300.1900.0 | Mounting rail TS 35x7,5 PERF 25mm - l:2000mm | Mounting rail TS 35, slotted, size 7,5 mm, length 2 m, material steel. galv. zinc-plated and dichromated |
| 98.360.0000.0 | Mounting rail TS 35x15-2,3 UNPERF - l:2000mm | Mounting rail TS 35, unslotted, size 15 mm, length 2 m, material steel. galv. zinc-plated and dichromated |
| 98.360.0004.0 | Mounting rail TS 35x15-2,3 UNPERF FZN - l:2000mm | Mounting rail TS 35, unslotted, size 15 mm, length 2 m, material steel, hot galvanized |
| 98.370.0000.0 | Mounting rail TS 35x15 UNPERF - l:2000mm | Mounting rail TS 35, unslotted, size 15 mm, length 2 m, material steel. galv. zinc-plated and dichromated |
| 98.370.1000.0 | Mounting rail TS 35x15 PERF 15mm - l:2000mm | Mounting rail TS 35, slotted, size 15 mm, length 2 m, material steel. galv. zinc-plated and dichromated |
| 98.380.0000.0 | Mounting rail TS 35x15-2,3 UNPERF CU - l:2000mm | Mounting rail TS 35, unslotted, size 15 mm, length 2 m, material E copper |
| 07.311.6155.0 | End plate AP 4 TK /V0 | End plate for DIN rail terminal blocks type WK 4 TK..., color: grey |
| 07.311.8155.0 | Partition TW 4 TK... /V0 | Partition for DIN rail terminal blocks type WK 4 TK..., color: grey |
| 98.300.1800.0 | Mounting rail TS 35x7,5 PERF 18mm - l:2000mm | Mounting rail TS 35, slotted, size 7,5 mm, length 2 m, material steel. galv. zinc-plated and dichromated |

These dimensions will be especially checked at delivery
 Only inspection dimensions
 With /E marked dimensions are only valid for internal use

Diese Maße werden bei Abnahme besonders geprüft
 Ausschließliche Prüfmaße
 Mit /E gekennzeichnete Maße sind nur für interne Zwecke gültig



Hutschiene EN 60715-35x7,5
 mounting rail EN 60715-35x7,5
 Hutschiene EN 60715-35x15
 mounting rail EN 60715-35x15
 G-Schiene EN 60715-G32
 G-rail EN 60715-G32



Weitere Daten siehe Katalog
 further data see catalog

| | | | |
|---|--|---|--|
| Tolerierung Size ISO 14405(☉)/Tolerance system Size ISO 14405(☉). (This ISO-standard describes the envelope principle. According to the envelope principle the deviations of form and parallelism are limited by the size tolerances). | | ja/yes <input checked="" type="checkbox"/> Stoffverbots- und Deklarationsliste nach UU-TQM-05/03 ist einzuhalten. Conformity with Wieland document UU-TQM-05/03 (list of prohibited / declarable hazardous substances) to be declared! | |
| Freitoleranz nach General tolerance | | CAD - Zeichnung, keine manuellen Änderungen CAD - drawing, no manual modifications allowed | |
| 1. Verwendung: First Use: | | Blatt: 1 von 1 Sheet: of 1 | |
| Zeichnung Nr./Drawing No. | | Index | |
| 57.504.4455.0 01K | | | |
| Maße in mm/Dimensions are in mm | | | |
| Ersatz für/Replacement for: - | | | |
| Type | | Benennung/Titel | |
| WK4 TKS-D | | DURCHGANGSKLEMME MODULAR TERMINAL | |
| Index Date / Blatt Date / Sheet | | | |
| Änderung/Revision | | | |

Weitergabe sowie Vervielfältigung dieses Dokuments, Verwertung und Mitteilung seines Inhalts sind verboten, soweit nicht ausdrücklich gestattet.
 The reproduction, distribution and utilization of this document as well as the communication of its contents to others without express authorization is prohibited.

575044455001K_2 CADW2035 Schmitt: 2012-10-22 10:38:48 1.000