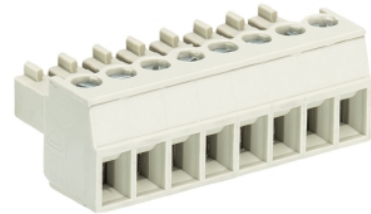


## Data sheet

Commercial Art.No.: 25.620.3653.0

PCB connector 8813 B / 6 OB

PCB female connector with screw connection with rising cage clamp system, 6 poles, max. cross section: 1.5 mm<sup>2</sup>, pitch: 3.81 mm, type of packing: carton, color: grey



Commercial Art.No.	25.620.3653.0
EAN	4015573341616
Order Unit	50

Certificates / Approvals



## Technical data

### General

Modular spacing	3.81 mm
Connection type	screw connection
Soldering process	None
Packaging	Carton
Number of poles	6
Marking	No
Fastening	None
Mating direction towards connector	180°

### Technical data

Nominal cross section	1.5 mm <sup>2</sup>
Rated current	8 A
Overvoltage Category I	690 V
Overvoltage Category II	250 V
Overvoltage Category III	125
Rated impulse voltage	2.5 kV
Wire strip length	6.5 mm

### Connection Data

Minimum cross section solid	0.14 mm <sup>2</sup>
Maximum cross section solid	1.5 mm <sup>2</sup>
Minimum cross section fine stranded	0.14 mm <sup>2</sup>
Maximum cross section fine stranded	1.5 mm <sup>2</sup>
Wire strip length	6.5 mm

### Technical Data UL/CSA

Cross section UL	30-16 AWG
Voltage UL	300 V

Current field wiring	8 A
Current factory wiring	8 A
Cross section CSA	22-14 AWG
Voltage CSA	300 V
Current CSA	5 A

#### Other

Type of insulation material	Thermoplastic
Color	Grey
Height	11.1 mm
Length	23.65 mm
Depth	15.5 mm
Material attachment screw	Steel
Material contact base	CuSn
Material contact surface	Sn

#### Classification

ECLASS 11	
ECLASS 8.1	27440402
ETIM 7.0	EC002637
ETIM 6.0	EC002637
ETIM 5.0	EC002637
ETIM 4.0	EC002637

#### Product compliance

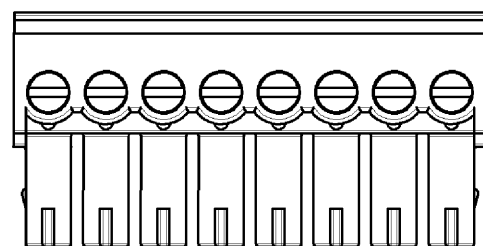
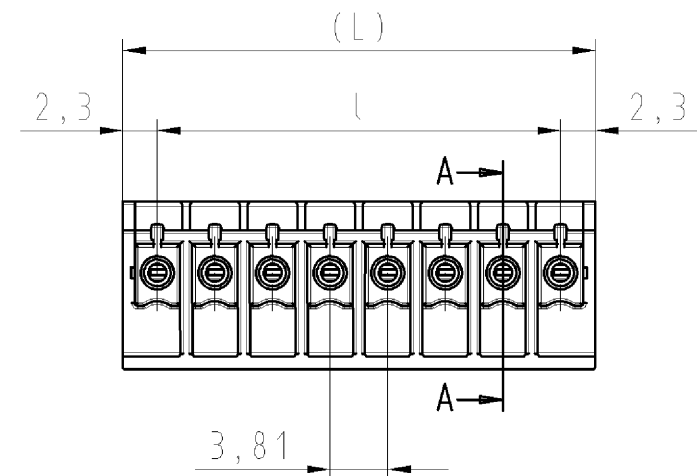
ROHS conformity status	Compliant/Exempted
ROHS exceptions	III-6(c)
REACH-SVHC conformity status	Duty-To-Declare
REACH-SVHC substances	Lead
REACH-SVHC CAS numbers	7439-92-1

#### Fits with

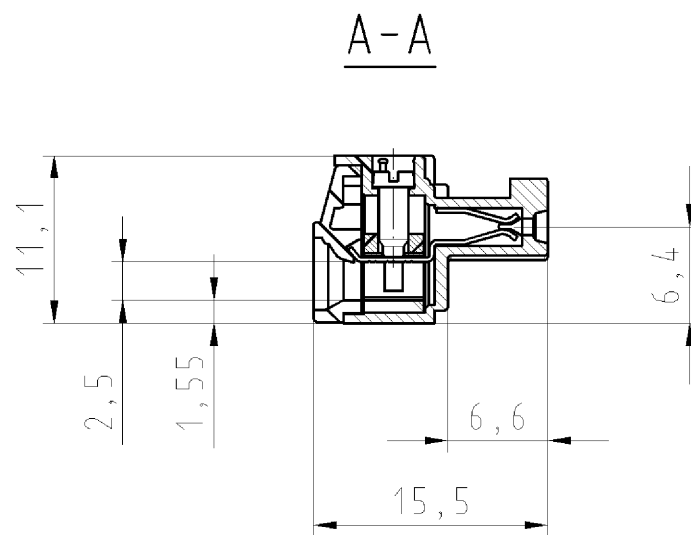
Commercial Art.No.:	Article-type description:	Description:
25.626.0653.0	PCB pin header 8813 S / 6 G OB	PCB pin header with pin header, connection method depends on used socket part , 6 poles, pitch: 3.81 mm, type of packing: carton, color: grey
25.627.0653.0	PCB pin header 8813 S / 6 W OB	PCB pin header with pin header, connection method depends on used socket part , 6 poles, pitch: 3.81 mm, type of packing: carton, color: grey
27.627.0608.0	PCB pin header 8813 S/ 6 W OB THR	PCB pin header, 6 poles, with solder pin (1.5mm, tin plated), pitch: 3.81 mm, type of packing: carton, color: black, This product can be soldered by reflow and wave soldering,
27.626.0608.0	PCB pin header 8813 S/ 6 G OB THR	PCB pin header, 6 poles, with solder pin (1.5mm, tin plated), pitch: 3.81 mm, type of packing: carton, color: black, This product can be soldered by reflow and wave soldering,

gezeichnete Ausführung: 8-polig  
drawn version: 8 pole

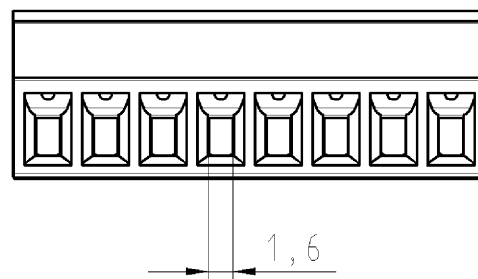
ab 7-polige Ausführung ohne Bremsfläche  
from 7-poles version without brake area



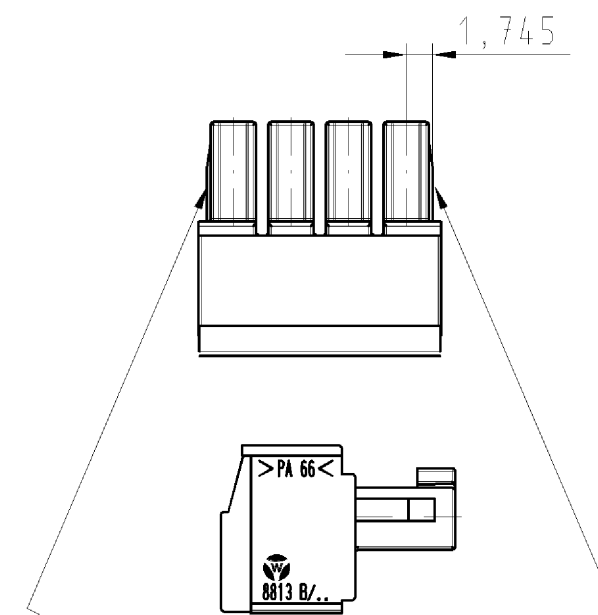
"X" →



Ansicht/view "X"



gezeichnete Ausführung: 4-polig  
drawn version: 4 poles



Bei 2-6polig  
Bremsflächen am ersten und letzten Pol  
version 2-6 poles  
brake areas on the first and last pole

Teile-Nr. part-no.	Polzahl no. of poles	(L)	l
25.620.3253.F	2	8.41	3.81
25.620.3353.F	3	12.22	7.62
25.620.3453.F	4	16.03	11.43
25.620.3553.F	5	19.84	15.24
25.620.3653.F	6	23.65	19.05
25.620.3753.F	7	27.46	22.86
25.620.3853.F	8	31.27	26.67
25.620.3953.F	9	35.08	30.48
25.620.4053.F	10	38.89	34.29
25.620.4153.F	11	42.70	38.10
25.620.4253.F	12	46.51	41.91
25.620.4353.F	13	50.32	45.72
25.620.4453.F	14	54.13	49.53
25.620.4553.F	15	57.94	53.34
25.620.4653.F	16	61.75	57.15
25.620.4753.F	17	65.56	60.96
25.620.4853.F	18	69.37	64.77
25.620.4953.F	19	73.18	68.58
25.620.5053.F	20	76.99	72.39

.F	Farbe/colour
.0	grau/grey
.1	schwarz/black
.7	grün/green

Tolerierung nach DIN 7167/Tolerance system acc. to DIN 7167. (This DIN-standard describes the envelope principle. According to the envelope principle the deviations of form and parallelism are limited by the size tolerances).		ja/yes <input checked="" type="checkbox"/> Stoffverbots- und Deklarationsliste nach UU-TQM-05/03 ist einzuhalten. Conformity with Wieland document UU-TQM-05/03 (list of prohibited / declarable hazardous substances) to be declared!	
Freitoleranz nach General tolerance		CAD - Zeichnung, keine manuellen Änderungen CAD - drawing, no manual modifications allowed	1. Verwendung: First Use: -
Blatt: 1 von 1 Sheet: 1 of 1		Zeichnung Nr./Drawing No. Index	
T		25.620.3253.0 01K	
Maße in mm/Dimensions are in mm			
Werkstoff/Material		2009 Tag/Date	Name
/		18.08.	Dütsch T.
/		gezeichnet drawn	
/		geprüft checked	
/		Normgepr. Stand. check	
/		Ersatz für/Replacement for: -	
/		Type	Benennung/Title
/		8813 B/ 2-20 OB	PCB CONNECTOR LP_STECKKLEMME
/		mit Steck- u. Schraubanschluss/with plug and screw connection Rastermaß 3,81/pitch 3,81	
Index	Datum / Blatt Date / Sheet	Elektrische Verbindungen	
Änderung/Revision			

Weitergabe sowie Vervielfältigung dieses Dokuments, Verwertung und Mitteilung seines Inhalts sind verboten, soweit nicht ausdrücklich gestattet. Die Reproduktion, Distribution und Nutzung dieses Dokuments sowie die Kommunikation der Inhalte ist ohne schriftliche Genehmigung der Wieland-Werke AG ist untersagt.

256203253001K\_4\_CADW2037\_Duetsch 2009-08-18T13:30:21 1.000