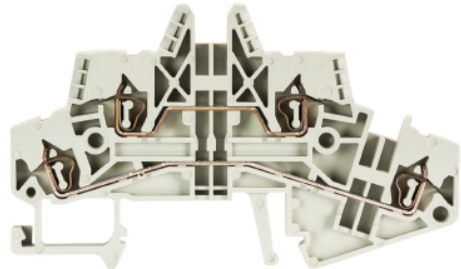


## Data sheet

Commercial Art.No.: 56.702.7053.0

Multi-tier terminal WKF 1,5 E / 35

Duo Feed-through terminal with tension spring connection for mounting on TS 35,  
nominal cross section: 1.5 mm<sup>2</sup>, width: 5 mm, color: grey



Commercial Art.No.	56.702.7053.0
EAN	4015573462465
Order Unit	100

Certificates / Approvals



## Technical data

### General

Nominal cross section	1.5 mm <sup>2</sup>
Color	Grey
Number of levels	2
Number of clamp positions per level	2
Width/grid dimension	5 mm
Insulating housing	PA666
Inflammability class of insulation material acc. with UL94	V0
Explosion-tested version "Ex e"	No
Mounting method	DIN rail (top hat rail) 35/7.5 mm
Terminal blocks for electrical installations	yes

### Technical data

Rated current	17.5 A
Rated voltage	400 V
Rated impulse voltage	6 kV
Pollution degree	3
Closing plate required	yes
Type of insulation material	Thermoplastic
Length	83.4 mm

### Connection Data

Connection type 1	spring clamp connection
Connection type 2	spring clamp connection
Minimum cross section solid	0.13 mm <sup>2</sup>
Maximum cross section solid	2.5 mm <sup>2</sup>
Minimum cross section fine stranded	0.13 mm <sup>2</sup>
Maximum cross section fine stranded	1.5 mm <sup>2</sup>

Wire strip length	8 mm
-------------------	------

#### Technical Data UL/CSA

Cross section UL	30-14 AWG
Voltage UL	300 V
Current factory wiring	15 A
Current field wiring	15 A
Cross section CSA	30-14 AWG
Voltage CSA	600 V
Current CSA	15 A

#### Classification

ECLASS 11	
ECLASS 8.1	27141120
ETIM 7.0	EC000897
ETIM 6.0	EC000897
ETIM 5.0	EC000897
ETIM 4.0	EC000897
ETIM 3.0	EC000897

#### Product compliance

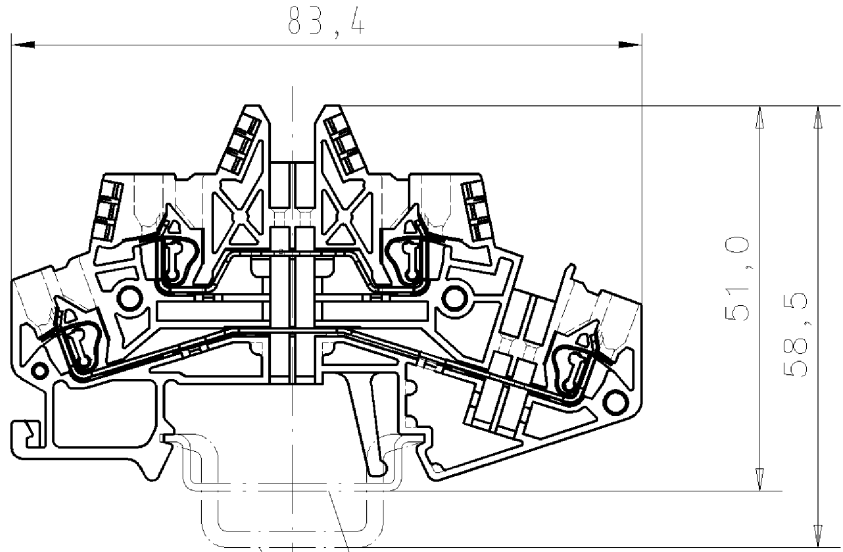
ROHS conformity status	Compliant
REACH-SVHC conformity status	Compliant

#### Accessories

Commercial Art.No.:	Article-type description:	Description:
Z7.280.6227.0	Jumper bar IVBWKF 2,5- 2	Cross connector, insulated for DIN rail terminal blocks type WKF..., 2 - pole
Z7.280.6327.0	Jumper bar IVBWKF 2,5- 3	Cross connector, insulated for DIN rail terminal blocks type WKF..., 3 - pole
Z7.280.6427.0	Jumper bar IVBWKF 2,5- 4	Cross connector, insulated for DIN rail terminal blocks type WKF..., 4 - pole
Z7.280.6527.0	Jumper bar IVBWKF 2,5- 5	Cross connector, insulated for DIN rail terminal blocks type WKF..., 5 - pole
Z7.280.6627.0	Jumper bar IVBWKF 2,5- 6	Cross connector, insulated for DIN rail terminal blocks type WKF..., 6 - pole
Z7.280.6727.0	Jumper bar IVBWKF 2,5- 7	Cross connector, insulated for DIN rail terminal blocks type WKF..., 7 - pole
Z7.280.6827.0	Jumper bar IVBWKF 2,5- 8	Cross connector, insulated for DIN rail terminal blocks type WKF..., 8 - pole
Z7.280.6927.0	Jumper bar IVBWKF 2,5- 9	Cross connector, insulated for DIN rail terminal blocks type WKF..., 9 - pole
Z7.280.7027.0	Jumper bar IVBWKF 2,5- 10	Cross connector, insulated for DIN rail terminal blocks type WKF..., 10 - pole
98.300.0000.0	Mounting rail TS 35x7,5 UNPERF - l:2000mm	Mounting rail TS 35, unslotted, size 7,5 mm, length 2 m, material steel. galv. zinc-plated and dichromated
98.300.1000.0	Mounting rail TS 35x7,5 PERF 15mm - l:2000mm	Mounting rail TS 35, slotted, size 7,5 mm, length 2 m, material steel. galv. zinc-plated and dichromated
98.300.1900.0	Mounting rail TS 35x7,5 PERF 25mm - l:2000mm	Mounting rail TS 35, slotted, size 7,5 mm, length 2 m, material steel. galv. zinc-plated and dichromated

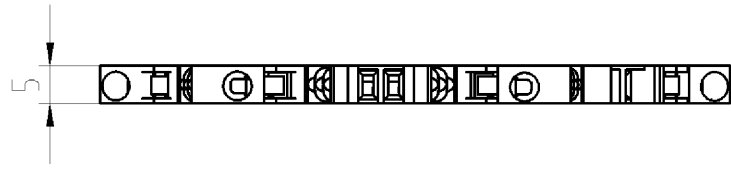
98.360.0000.0	Mounting rail TS 35x15-2,3 UNPERF - l:2000mm	Mounting rail TS 35, unslotted, size 15 mm, length 2 m, material steel. galv. zinc-plated and dichromated
98.360.0004.0	Mounting rail TS 35x15-2,3 UNPERF FZN - l:2000mm	Mounting rail TS 35, unslotted, size 15 mm, length 2 m, material steel, hot galvanized
98.370.0000.0	Mounting rail TS 35x15 UNPERF - l:2000mm	Mounting rail TS 35, unslotted, size 15 mm, length 2 m, material steel. galv. zinc-plated and dichromated
98.370.1000.0	Mounting rail TS 35x15 PERF 15mm - l:2000mm	Mounting rail TS 35, slotted, size 15 mm, length 2 m, material steel. galv. zinc-plated and dichromated
98.380.0000.0	Mounting rail TS 35x15-2,3 UNPERF CU - l:2000mm	Mounting rail TS 35, unslotted, size 15 mm, length 2 m, material E copper
04.343.8353.8	Warning cover ADF.../4 GELB	Cover with warning symbol for DIN rail terminal blocks type WKF ...
07.312.3553.0	End plate APF 1,5 E	End plate for DIN rail terminal blocks type WKF 1,5 E..., color: grey
07.312.3653.0	Partition TWF 1,5 E	Partition for DIN rail terminal blocks type WKF 1,5 E..., color: grey
Z7.261.1127.0	Jumper bar IVB WKF-V	Vertical cross connector for multi-tier DIN rail terminal blocks type WKF...E..., 1 -pole
Z7.280.7127.0	Jumper bar IVBWKF 2,5- 11	Cross connector, insulated for DIN rail terminal blocks type WKF..., 11 -pole
Z7.280.7227.0	Jumper bar IVBWKF 2,5- 12	Cross connector, insulated for DIN rail terminal blocks type WKF..., 12 -pole
Z7.280.8027.0	Jumper bar IVBWKF 2,5- 20	Cross connector, insulated for DIN rail terminal blocks type WKF..., 20 -pole
98.300.1800.0	Mounting rail TS 35x7,5 PERF 18mm - l:2000mm	Mounting rail TS 35, slotted, size 7,5 mm, length 2 m, material steel. galv. zinc-plated and dichromated
04.242.5053.0	Marking tag strips 9705 A / 5 / 10	Marking tag strips for DIN rail terminal blocks type 9700 A / 5..., 10 tags per strip, color: blue, unmarked, markable with Wieplot plotter-system

Weitergabe sowie Vervielfältigung dieses Dokuments, Verwertung und Mitteilung seines Inhalts sind verboten, soweit nicht ausdrücklich gestattet. Die reproduction, distribution and utilization of this document as well as the communication of its contents to others without express authorization is prohibited.



Tragschiene EN 60715-35x7,5  
mounting rail EN 60715-35x7,5

Tragschiene EN 60715-35x15  
mounting rail EN 60715-35x7,5



- Diese Maße werden bei Abnahme besonders geprüft
- Ausschließlich Prüfmaße
- Mit ZE gekennzeichnete Maße sind nur für interne Zwecke gültig

Weitere Daten siehe Katalog  
further data see catalog

Freitoleranz nach DIN		CAD - Zeichnung, keine manuellen Änderungen			1. Verwendung: -		Bl.: 1 von 1	
	/	Maßstab	Werkstoff und Oberfläche:	2002	Tag	Name	Zeichnung Nr.	Index
	/			Entworfen	26.09.	Schneiderb.		
	/			Geprüft	-	-		
	/	1:1	wieland Elektrische Verbindungen	Normgepr.	-	-	Ersatz für: -	56.702.7053.0 01K
	/			Typ	Benennung			
	/							
Buchstabe	Datum / Blatt			WKF 1,5 E	ETAGENKLEMME			
Änderung				/35	double deck terminal			