

Data sheet

Commercial Art.No.: 92.050.9153.0

Flat cable adapter GST1815A SI A

gesis® NRG flat cable tap off 690 V, 32A, for the flat cable 5G10 mm² via IDC, connection of round cables: 2.5 ... 6 mm² via screw connection.



Commercial Art.No.	92.050.9153.0
EAN	4049088359040
Order Unit	1

Certificates / Approvals



Technical data

General

Rated current	32 A
Degree of protection (IP)	IP20
Mechanical coding	yes
Marking of poles	L3, L2, PE, N, L1
Color housing	black
Lockable	self-locking (unlocking by tool)

Connection Data

Cable diameter max.	18 mm
Cable diameter min.	9.7 mm
Connection cross section solid mm ² max.	6 mm ²
Connection cross section solid mm ² min.	2.5 mm ²
Connection cross section fine stranded mm ² max.	6 mm ²
Connection cross section fine stranded mm ² min.	2.5 mm ²
Type of termination (round cable)	screw connection
sheath strip length	65 mm
Wire strip length	12 mm

Model

Model	Tapp-off
-------	----------

Material

Housing material	Polyamide
halogen free	yes

Fire load	0 kWh
-----------	-------

Dimensions

Length	138.4 mm
Width	50 mm
Height	51.5 mm

Note

Note	fine stranded 6 mm ² only with ferrule without insulating shroud
------	---

Classification

ECLASS 11	
ECLASS 8.1	27440601
ETIM 7.0	EC002588
ETIM 6.0	EC002588
ETIM 5.0	EC002588
ETIM 4.0	EC002588

Product compliance

ROHS conformity status	Compliant/Exempted
ROHS exceptions	III-6(c)
REACH-SVHC conformity status	Duty-To-Declare
REACH-SVHC substances	Lead
REACH-SVHC CAS numbers	7439-92-1

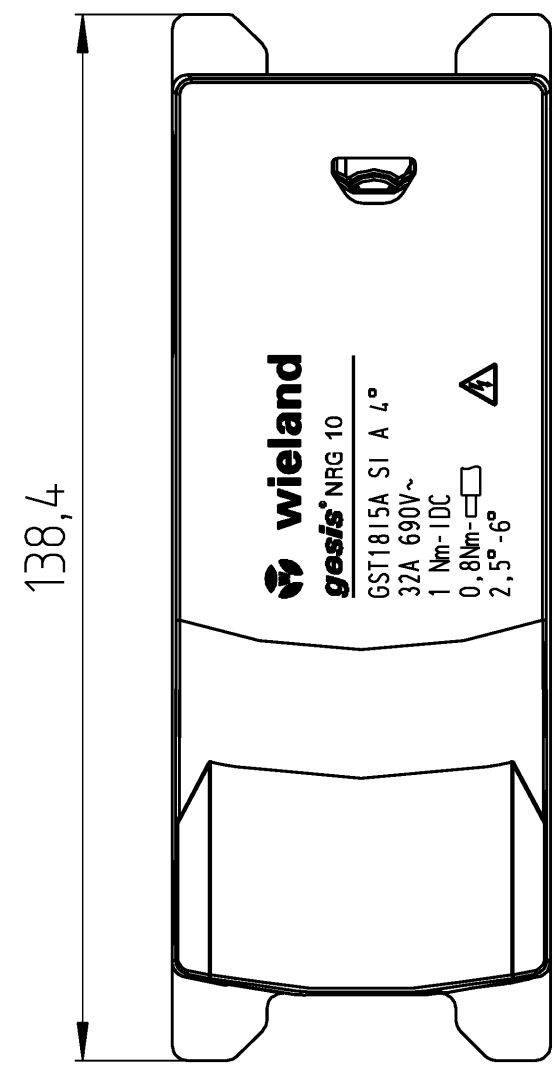
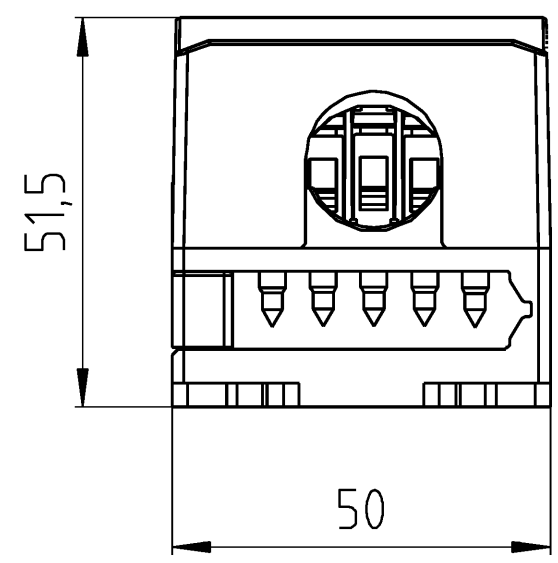
Fits with

Commercial Art.No.:	Article-type description:	Description:
00.702.0306.7	Flat cable 5G10 PVC GRUEN	gesis NRG flat cable, mains 5G10 mm ² , color light green, insulation: PVC
00.770.0306.7	Flat cable 5G10 FR/LSOH GRUEN	gesis NRG flatcable, mains 5G10 mm ² , halogen free fire class: B2ca s1a d1 a1, color light green.

A
B
C
D
E
F

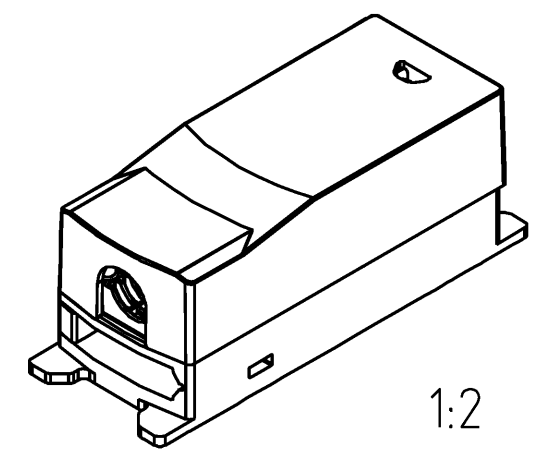
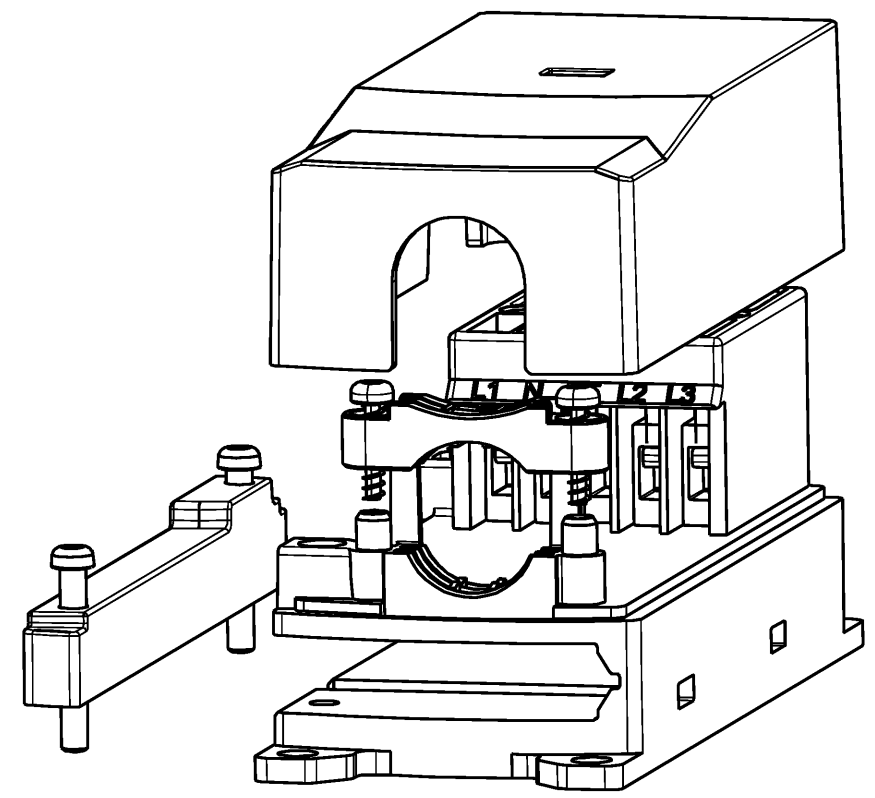
These dimensions will be especially checked at delivery
Only inspection dimensions
With /E marked dimensions are only valid for internal use

Diese Maße werden bei Abnahme besonders geprüft
Ausschließlich Prüfmaße
Mit /E gekennzeichnete Maße sind nur für interne Zwecke gültig



ⓐ

Auslieferungszustand delivery status



Verpackungseinheit: je 5 Stück
packaging unit: per 5

1:2

Weitere Daten siehe KATALOG oder eKatalog.
Additional data see CATALOG or eCatalog.

www.wieland-electric.com
eshop.wieland-electric.com

Tolerierung Size ISO 14405 ⓔ / Tolerance system Size ISO 14405 ⓔ. (This ISO-standard describes the envelope principle. According to the envelope principle the deviations of form and parallelism are limited by the size tolerances).		ja/yes <input checked="" type="checkbox"/> Stoffverbots- und Deklarationsliste nach WN 5020.010 ist einzuhalten. Conformity with Wieland document WN 5020.010 e (list of prohibited / declarable hazardous substances) to be declared!	
Freitoleranz nach General tolerance		CAD - Zeichnung, keine manuellen Änderungen CAD - drawing, no manual modifications allowed	1. Verwendung: First Use:
Blatt: 1 von 1 Sheet: 1 of 1		Zeichnung Nr. / Drawing No.	
/		92.050.9153.013K	
/		Maße in mm / Dimensions are in mm	
/		Ersatz für / Replacement for:	
/		Type	
/		Benennung/Title	
a 13.12.2017 / Index Datum / Blatt Date / Sheet		wieland www.wieland-electric.com	
Änderung / Revision		ANSCHLUSSDOSE	