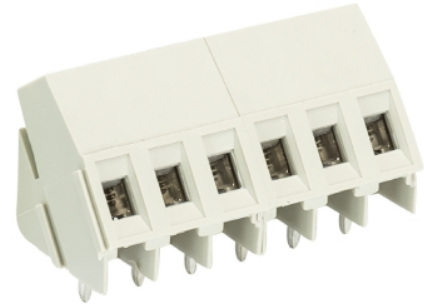


Data sheet

Commercial Art.No.: 25.521.0353.0

Printed circuit board terminal 8135 / 3 OB

PCB terminal with screw connection with rising cage clamp system, 3 poles, with solder pin (3.5mm), max. cross section: 2.5 mm², pitch: 5 mm, type of packing: carton, color: grey



| | |
|--------------------|---------------|
| Commercial Art.No. | 25.521.0353.0 |
| EAN | 4015573202245 |
| Order Unit | 100 |

Certificates / Approvals



Technical data

General

| | |
|----------------------------|------------------|
| Modular spacing | 5 mm |
| Connection type | screw connection |
| Soldering process | Wave soldering |
| Packaging | Carton |
| Number of poles | 3 |
| Conductor to circuit board | 35° |
| Number of levels | 1 |
| Integrated test socket | yes |
| Insulation plate | No |
| Retaining pins | No |
| Marking | No |

Technical data

| | |
|--------------------------|---------------------|
| Nominal cross section | 2.5 mm ² |
| Rated current | 16 A |
| Overvoltage Category I | 1000 V |
| Overvoltage Category II | 690 V |
| Overvoltage Category III | 250 V |
| Rated impulse voltage | 4 kV |
| Wire strip length | 6.5 mm |

Connection Data

| | |
|-------------------------------------|----------------------|
| Minimum cross section solid | 0.14 mm ² |
| Maximum cross section solid | 4 mm ² |
| Minimum cross section fine stranded | 0.14 mm ² |
| Maximum cross section fine stranded | 2.5 mm ² |

| | |
|-------------------|--------|
| Wire strip length | 6.5 mm |
|-------------------|--------|

Technical Data UL/CSA

| | |
|------------------------|-----------|
| Cross section UL | 22-12 AWG |
| Voltage UL | 300 V |
| Current field wiring | 20 A |
| Current factory wiring | 30 A |
| Cross section CSA | 22-12 AWG |
| Voltage CSA | 300 V |
| Current CSA | 25 A |

Other

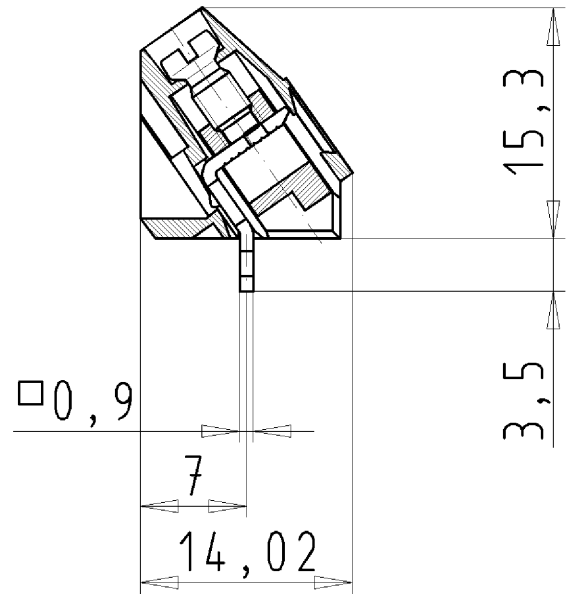
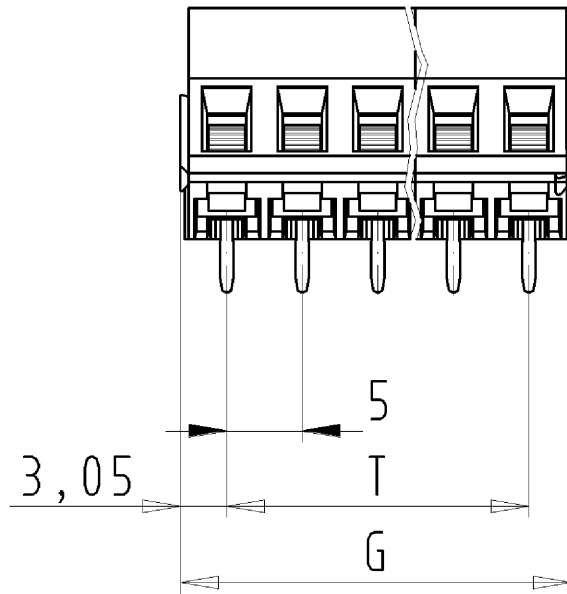
| | |
|-----------------------------|---------------|
| Type of insulation material | Thermoplastic |
| Color | Grey |
| Height | 15.3 mm |
| Length | 15.85 mm |
| Depth | 14.02 mm |
| Material attachment screw | Steel |
| Material contact base | E-Cu |
| Material contact surface | Sn |

Classification

| | |
|------------|----------|
| ECLASS 11 | |
| ECLASS 8.1 | 27440401 |
| ETIM 7.0 | EC002643 |
| ETIM 6.0 | EC002643 |
| ETIM 5.0 | EC002643 |
| ETIM 4.0 | EC002643 |

Product compliance

| | |
|------------------------------|--------------------|
| ROHS conformity status | Compliant/Exempted |
| ROHS exceptions | III-6(c) |
| REACH-SVHC conformity status | Duty-To-Declare |
| REACH-SVHC substances | Lead |
| REACH-SVHC CAS numbers | 7439-92-1 |



Weitergabe sowie Vervielfältigung dieses Dokuments, Verwertung und Mitteilung seines Inhalts sind verboten, soweit nicht ausdrücklich gestattet. Die Reproduktion, Distribution und Utilization of this document as well as the communication of its contents to others without express authorization is prohibited.

für folgende Tabellen-Zchnng.:
 25.521.0253.0 8135/.. OB

LP.KLEMME
 25.521.0253.0 10W
 06.11.2007 TRE
 M 2:1