

## Data sheet

Commercial Art.No.: 27.336.0353.0

PCB pin header 8113 SEG / 3 / 6 W OB

PCB pin header, 3 poles, pitch: 5 mm, type of packing: carton, color: grey



|                    |               |
|--------------------|---------------|
| Commercial Art.No. | 27.336.0353.0 |
| EAN                | 4015573687257 |
| Order Unit         | 100           |

Certificates / Approvals



## Technical data

### General

|  |                |
|--|----------------|
| Modular spacing                          | 5 mm           |
| Soldering process                        | Wave soldering |
| Packaging                                | Carton         |
| Number of poles                          | 6              |
| Number of levels                         | 2              |
| Marking                                  | No             |
| Fastening                                | None           |
| Mating direction towards (circuit) board | 180°           |

### Technical data

|                          |       |
|--------------------------|-------|
| Rated current            | 10 A  |
| Overvoltage Category I   | 400 V |
| Overvoltage Category II  | 400 V |
| Overvoltage Category III | 250 V |
| Rated impulse voltage    | 4 kV  |

### Technical Data UL/CSA

|                        |       |
|------------------------|-------|
| Voltage UL             | 300 V |
| Current field wiring   | 10 A  |
| Current factory wiring | 10 A  |
| Voltage CSA            | 300 V |

|             |      |
|-------------|------|
| Current CSA | 10 A |
|-------------|------|

#### Other

|                             |               |
|-----------------------------|---------------|
| Type of insulation material | Thermoplastic |
| Color                       | Grey          |
| Height                      | 22 mm         |
| Length                      | 17 mm         |
| Depth                       | 28.5 mm       |
| Material contact base       | CuSn          |
| Material contact surface    | Sn            |

#### Classification

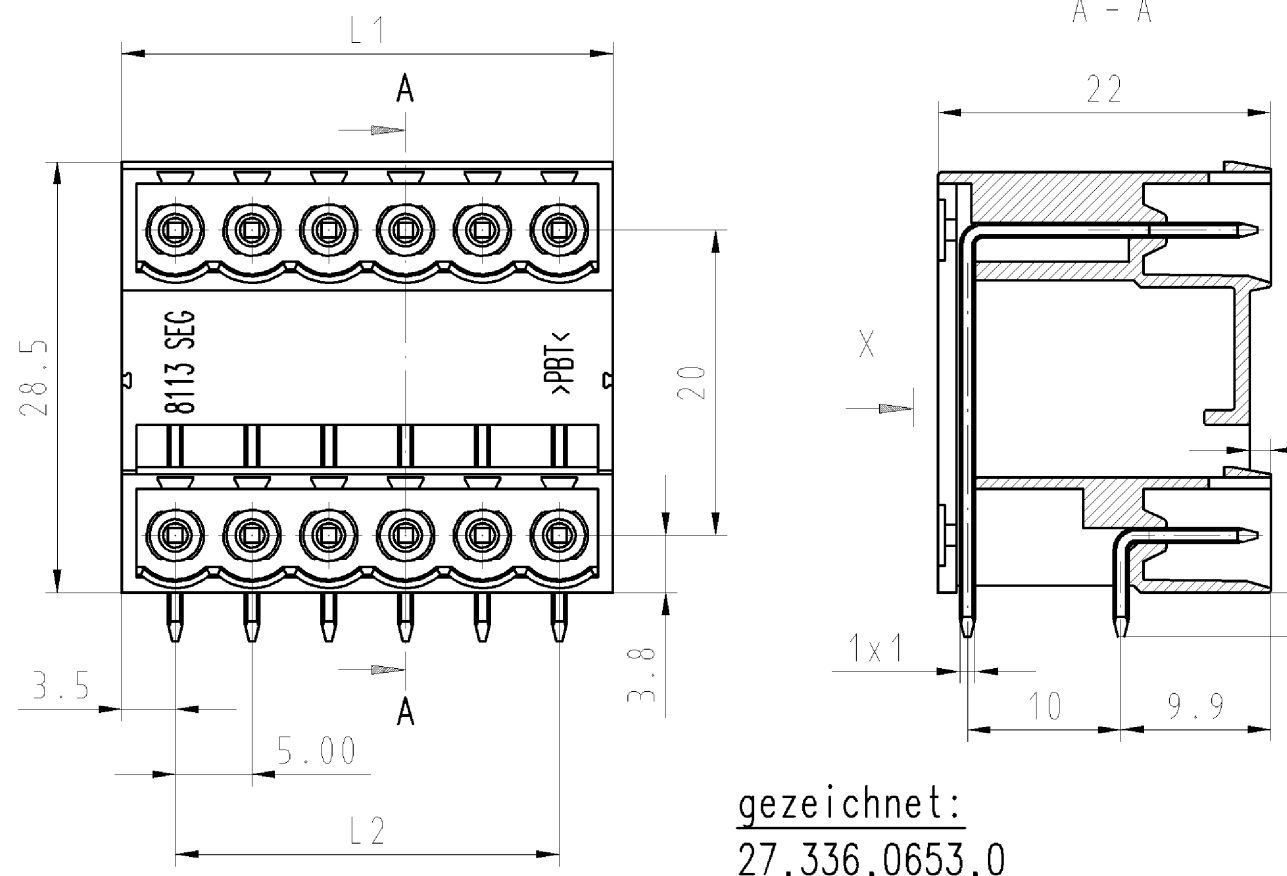
|            |          |
|------------|----------|
| ECLASS 11  |          |
| ECLASS 8.1 | 27440402 |
| ETIM 7.0   | EC002637 |
| ETIM 6.0   | EC002637 |
| ETIM 5.0   | EC002637 |
| ETIM 4.0   | EC002637 |

#### Fits with

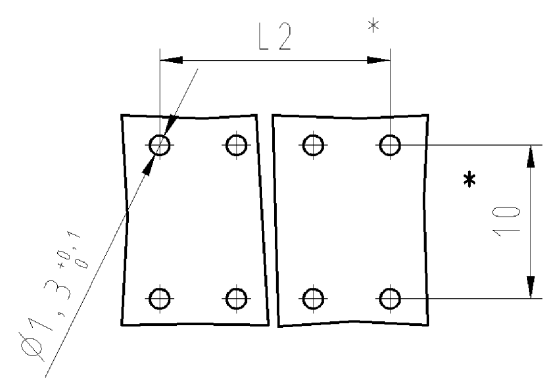
| Commercial Art.No.: | Article-type description:       | Description:  |
|---------------------|---------------------------------|---|
| 25.220.3353.0       | PCB connector 8113 B / 3 TOP OB | PCB female connector with front/top screw connection, 3 poles, max. cross section: 2.5 mm <sup>2</sup> , pitch: 5 mm, type of packing: carton, color: grey                                      |
| 25.220.0353.0       | PCB connector 8113 B / 3 TOP    | PCB female connector with front/top screw connection, 3 poles, printed version, max. cross section: 2.5 mm <sup>2</sup> , pitch: 5 mm, type of packing: carton, color: grey                     |
| 01.060.3353.0       | PCB connector 8113 BK / 3 OB    | PCB female connector with Crimp connection, 3 poles, max. cross section: 2.5 mm <sup>2</sup> , pitch: 5 mm, type of packing: carton, color: grey  |
| 01.060.0353.0       | PCB connector 8113 BK / 3       | PCB female connector with Crimp connection, 3 poles, printed version, max. cross section: 2.5 mm <sup>2</sup> , pitch: 5 mm, type of packing: carton, color: grey                               |
| 25.320.3353.0       | PCB connector 8113 B / 3 OB     | PCB female connector with screw connection with rising cage clamp system, 3 poles, max. cross section: 2.5 mm <sup>2</sup> , pitch: 5 mm, type of packing: carton, color: grey                  |
| 25.320.0353.0       | PCB connector 8113 B / 3        | PCB female connector with screw connection with rising cage clamp system, 3 poles, printed version, max. cross section: 2.5 mm <sup>2</sup> , pitch: 5 mm, type of packing: carton, color: grey |
| 25.325.3353.0       | PCB connector 8113 B / 3 VR OB  | PCB female connector with screw connection with rising cage clamp system, 3 poles, max. cross section: 2.5 mm <sup>2</sup> , pitch: 5 mm, type of packing: carton, color: grey                  |
| 25.325.0353.0       | PCB connector 8113 B / 3 VR     | PCB female connector with screw connection with rising cage clamp system, 3 poles, printed version, max. cross section: 2.5 mm <sup>2</sup> , pitch: 5 mm, type of packing: carton, color: grey |
| 25.326.3353.0       | PCB connector 8113 B / 3 VL OB  | PCB female connector with screw connection with rising cage clamp system, 3 poles, max. cross section: 2.5 mm <sup>2</sup> , pitch: 5 mm, type of packing: carton, color: grey                  |
| 25.326.0353.0       | PCB connector 8113 B / 3 VL     | PCB female connector with screw connection with rising cage clamp system, 3 poles, printed version, max. cross section: 2.5 mm <sup>2</sup> , pitch: 5 mm, type of packing: carton, color: grey |

|               |                                   |  |
|---------------|-----------------------------------|--|
| 25.820.3353.0 | PCB connector 8113 BFK / 3 TOP OB | PCB female connector with tension spring connection, 3 poles, max. cross section: 2.5 mm <sup>2</sup> , pitch: 5 mm, type of packing: carton, color: grey                  |
| 25.820.0353.0 | PCB connector 8113 BFK / 3 TOP    | PCB female connector with tension spring connection, 3 poles, printed version, max. cross section: 2.5 mm <sup>2</sup> , pitch: 5 mm, type of packing: carton, color: grey |

These dimensions will be especially checked of delivery  
 Only inspection dimensions  
 With /E marked dimensions are only valid for internal use  
 Diese Maße werden bei Abnahme besonders geprüft  
 Ausschließlich Prüfmaße  
 Mit /E gekennzeichnete Maße sind nur für interne Zwecke gültig



gezeichnet:  
27.336.0653.0



Lochbild/Layout

\*) Lochbildtoleranz n. IEC 326 T3, sehr fein/  
drill hole tolerances acc. to IEC 326 Part 3 very fine

Technische Daten  
Technical Data

|   |                              |            |           |            |
|---|------------------------------|------------|-----------|------------|
| Bemessungsspannung<br>rated voltage       | V                            | VDE<br>250 | UL<br>300 | CSA<br>300 |
| Bemessungsstrom<br>rated current          | A                            | 10         | 10        | 10         |
| Brennbarkeitsklasse<br>flamability rating | UL 94 V-0                    |            |           |            |
| Verschmutzungsgrad<br>pollution degree    | 3/Überspannungskategorie III |            |           |            |

|  |           |
|--|-----------|
| Kontaktbasismaterial<br>contact basis material | CuSn4 F47 |
| Diffusionssperre<br>diffusion barrier          | Cu 2-3µm  |
| Kontaktoberfläche<br>contact surface           | Sn 4-6µm  |
| Isoliermaterial<br>insulating material         | PBT       |

| Teile-Nr.<br>part no. | Typ<br>type             | Polzahl<br>pole | L1  | L2  |
|-----------------------|-------------------------|-----------------|-----|-----|
| 27.336.0253.0         | 8113 SEG / 2 / 4 W OB   | 4               | 12  | 5   |
| 27.336.0353.0         | 8113 SEG / 3 / 6 W OB   | 6               | 17  | 10  |
| 27.336.0453.0         | 8113 SEG / 4 / 8 W OB   | 8               | 22  | 15  |
| 27.336.0553.0         | 8113 SEG / 5 / 10 W OB  | 10              | 27  | 20  |
| 27.336.0653.0         | 8113 SEG / 6 / 12 W OB  | 12              | 32  | 25  |
| 27.336.0753.0         | 8113 SEG / 7 / 14 W OB  | 14              | 37  | 30  |
| 27.336.0853.0         | 8113 SEG / 8 / 16 W OB  | 16              | 42  | 35  |
| 27.336.0953.0         | 8113 SEG / 9 / 18 W OB  | 18              | 47  | 40  |
| 27.336.1053.0         | 8113 SEG / 10 / 20 W OB | 20              | 52  | 45  |
| 27.336.1153.0         | 8113 SEG / 11 / 22 W OB | 22              | 57  | 50  |
| 27.336.1253.0         | 8113 SEG / 12 / 24 W OB | 24              | 62  | 55  |
| 27.336.1353.0         | 8113 SEG / 13 / 26 W OB | 26              | 67  | 60  |
| 27.336.1453.0         | 8113 SEG / 14 / 28 W OB | 28              | 72  | 65  |
| 27.336.1553.0         | 8113 SEG / 15 / 30 W OB | 30              | 77  | 70  |
| 27.336.1653.0         | 8113 SEG / 16 / 32 W OB | 32              | 82  | 75  |
| 27.336.1753.0         | 8113 SEG / 17 / 34 W OB | 34              | 87  | 80  |
| 27.336.1853.0         | 8113 SEG / 18 / 36 W OB | 36              | 92  | 85  |
| 27.336.1953.0         | 8113 SEG / 19 / 38 W OB | 38              | 97  | 90  |
| 27.336.2053.0         | 8113 SEG / 20 / 40 W OB | 40              | 102 | 95  |
| 27.336.2153.0         | 8113 SEG / 21 / 42 W OB | 42              | 107 | 100 |
| 27.336.2253.0         | 8113 SEG / 22 / 44 W OB | 44              | 112 | 105 |
| 27.336.2353.0         | 8113 SEG / 23 / 46 W OB | 46              | 117 | 110 |
| 27.336.2453.0         | 8113 SEG / 24 / 48 W OB | 48              | 122 | 115 |

Weitere Daten siehe Katalog  
further data see catalog

Tolerierung nach DIN 7167/Tolerance system acc. to DIN 7167.  
 (This DIN-standard describes the envelope principle. According to the envelope principle the deviations of form and parallelism are limited by the size tolerances).

ja/yes  Stoffverbots- und Deklarationsliste nach UU-TQM-05/03 ist einzuhalten.  
 Conformity with Wieland document UU-TQM-05/03 (list of prohibited / declarable hazardous substances) to be declared!

Freitoleranz nach General tolerance: CAD - Zeichnung, keine manuellen Änderungen CAD - drawing, no manual modifications allowed

1. Verwendung: First Use: Blatt: 1 von 1 Sheet: of 1

|   |  |                             |  |            |
|---|--|-----------------------------|--|------------|
| Werkstoff/Material<br>Farbe : grau , ähnl. RAL 7032<br>colour : grey, sim. RAL 7032 | 2002<br>gezeichnet/drawn<br>30.04.<br>geprüft/checked<br>-<br>Ningepf. Stand. check<br>- | Tag/Date<br>Name<br>Bauer F | Zeichnung Nr./Drawing No.<br>T 27.336.0253.0 01K a | Index<br>a |
| Maßstab/Scale<br>2:1  | Maße in mm/Dimensions are in mm  |                             |  |            |

Maße in mm/Dimensions are in mm

Wieland Elektrische Verbindungen

8113 SEG  
//. W OB

LP\_STIFTLISTE  
Rastermaß 5,00  
PCB-Header pitch 5,00mm

273360253001K\_4\_CADW1044\_Schnitt: 2006-05-06T11:40:15 1.000