

## Data sheet

Commercial Art.No.: 25.313.0253.0

Panel header 8213 S / 2 DFWW M

Feed Through-Pin Header, 2 -pole, with wire-wrap connection, without marking, pitch:  
5,08 mm, series: 8214 S / 2 DFWW M



|                    |               |
|--------------------|---------------|
| Commercial Art.No. | 25.313.0253.0 |
| EAN                | 4015573343450 |
| Order Unit         | 100           |

Certificates / Approvals



## Technical data

### General

|  |                      |
|--|----------------------|
| Modular spacing                          | 5.08 mm              |
| Connection type                          | Soldering connection |
| Soldering process                        | None                 |
| Packaging                                | Carton               |
| Number of poles                          | 2                    |
| Number of levels                         | 1                    |
| Marking                                  | No                   |
| Fastening                                | Flange               |
| Mating direction towards (circuit) board | None                 |

### Technical data

|                          |        |
|--------------------------|--------|
| Rated current            | 6.5 A  |
| Overvoltage Category I   | 1000 V |
| Overvoltage Category II  | 400 V  |
| Overvoltage Category III | 250 V  |
| Rated impulse voltage    | 4 kV   |

### Technical Data UL/CSA

|                        |       |
|------------------------|-------|
| Voltage UL             | 300 V |
| Current field wiring   | 6.5 A |
| Current factory wiring | 6.5 A |
| Voltage CSA            | 300 V |
| Current CSA            | 6.5 A |

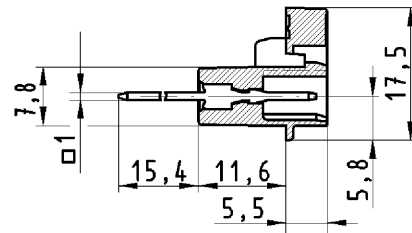
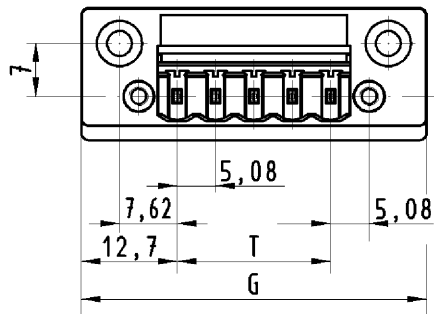
### Other

|                             |               |
|-----------------------------|---------------|
| Type of insulation material | Thermoplastic |
| Color                       | Grey          |
| Height                      | 17.5 mm       |
| Length                      | 30.48 mm      |
| Depth                       | 17.1 mm       |
| Material contact base       | CuSn          |

|                          |    |
|--------------------------|----|
| Material contact surface | Sn |
|--------------------------|----|

**Classification**

|            |          |
|------------|----------|
| ECLASS 11  |          |
| ECLASS 8.1 | 27440402 |
| ETIM 7.0   | EC002637 |
| ETIM 6.0   | EC002637 |
| ETIM 5.0   | EC002637 |
| ETIM 4.0   | EC002637 |



für folgende Tabellen-Zchnng.:

25.303.0253.0 8213 S/... DFWW  
25.313.0253.0 8213 S/... DFWW M

STIFTLLEISTE DURCHFÜHRUNG

25.313.0253.0 10W

16.11.2007 SCJ

M 1:1