

## DETAILS

<b>Product Number</b>	FA11870_TINA3-OO
<b>Family</b>	Tina3
<b>Type</b>	Assembly
<b>Color</b>	white
<b>Diameter</b>	16,3 mm
<b>Height</b>	6,9 mm
<b>Style</b>	round
<b>Optic Material</b>	PMMA
<b>Holder Material</b>	
<b>Fastening</b>	tape, pin
<b>Status</b>	production ready
<b>ROHS Compliant</b>	Yes
<b>Date Updated</b>	16/12/2016



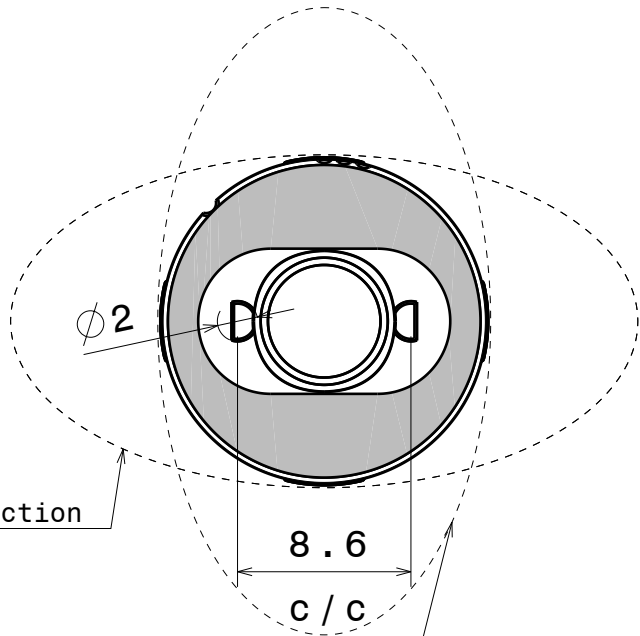
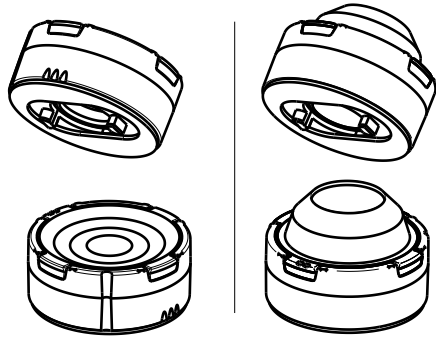
## OPTICAL PROPERTIES

LED	Viewing	Light	Effi-	cd/lm	Connector
	Angle	Beam	ciency		
XP-E	52+35 deg	OO-class	93 %	1.660	-
XP-G	51+39 deg	OO-class	93 %	1.600	-
XB-D	54+42 deg	OO-class	91 %	0.980	-
XB-H	59+43 deg	OO-class	88 %	1.100	-
LUXEON Rebel	58+38 deg	OO-class	83 %	1.270	-
LUXEON Rebel ES	60+46 deg	OO-class	92 %	1.010	-
LUXEON A	46+60 deg	OO-class	-	-	-
NVSxx19A	62+48 deg	OO-class	93 %	0.860	-
Oslon SSL 80	36+52 deg	OO-class	88 %	1.380	-
Oslon SSL 150	53+36 deg	OO-class	90 %	1.500	-
Oslon Square EC	62+50 deg	OO-class	87 %	0.840	-
Z8Y22P	sim: 60+42	OO-class	sim: 94 %	sim: 1.300	-

D C B A

4

4



90° Oval beam direction

8.6

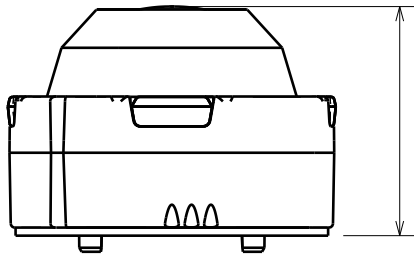
c / c

Oval beam direction

6.9

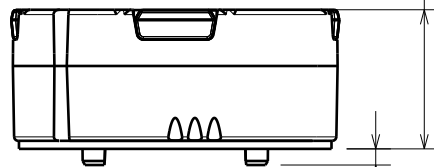
3

3



11.4

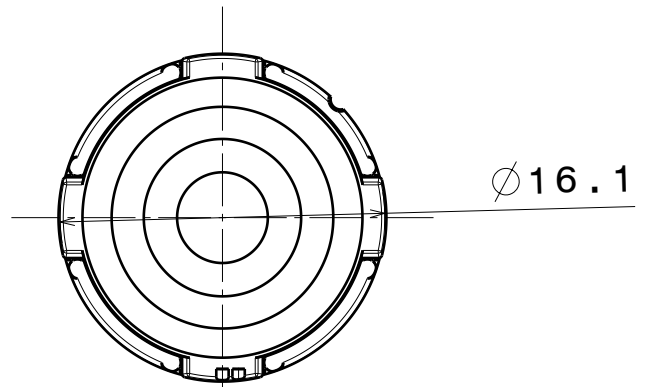
Spot version height



0.8

2

2

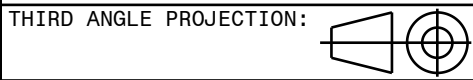


ø16.1

Top view

Tolerances if not otherwise shown  
According to DIN ISO 2768-1  
Linear measures:  
Up to 30mm class M, otherwise class C.  
According to DIN ISO 2768-2  
Form and position: class L

**LEDiL** Ledil Oy  
Salorankatu 10  
FIN 24240 SALO  
Finland



DRAWING TITLE  
**TINA3 Datasheet**

This drawing is the property of LEDiL Oy. It may not be reproduced, copied or communicated without a written agreement with LEDiL Oy."

SIZE	PART NUMBER		
A4	-		

SCALE	4:3	WEIGHT	-	SHEET	1/1
-------	-----	--------	---	-------	-----

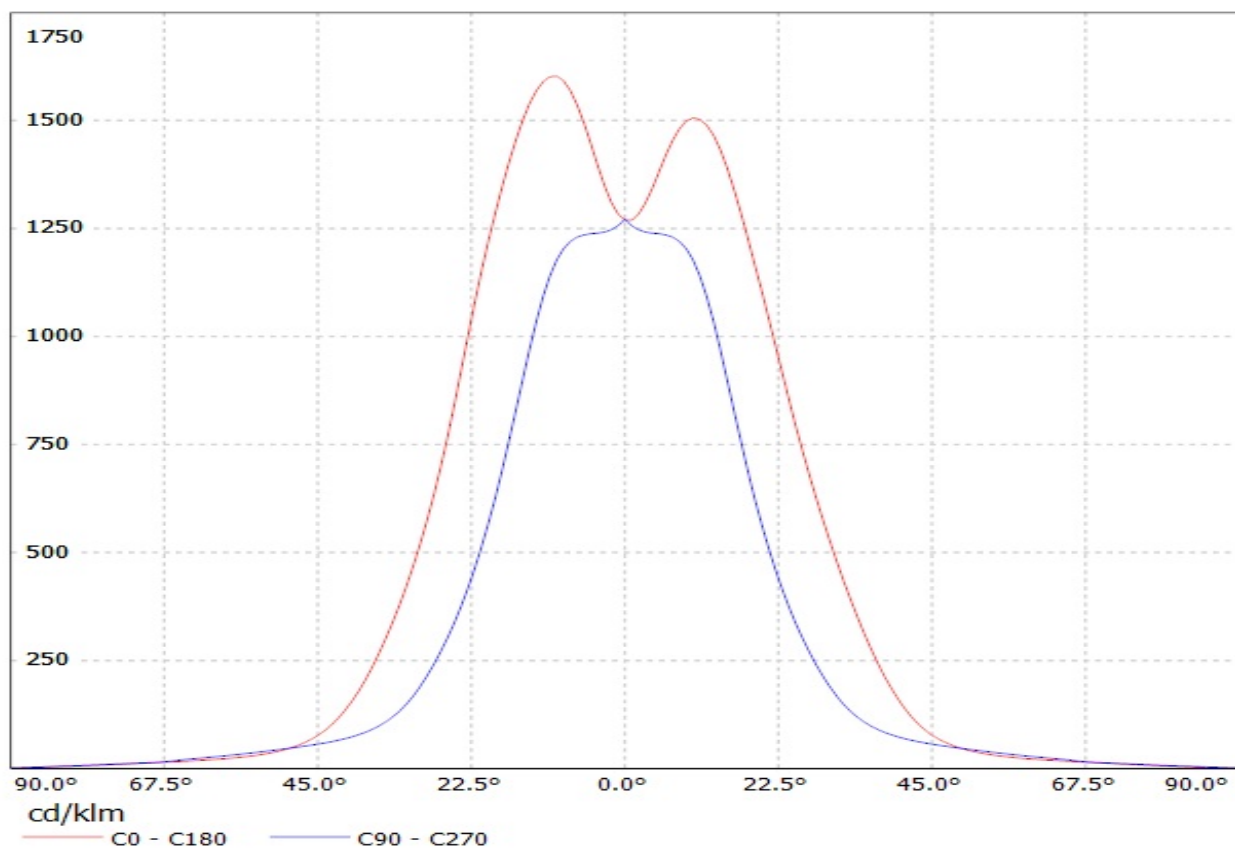
1

1

D

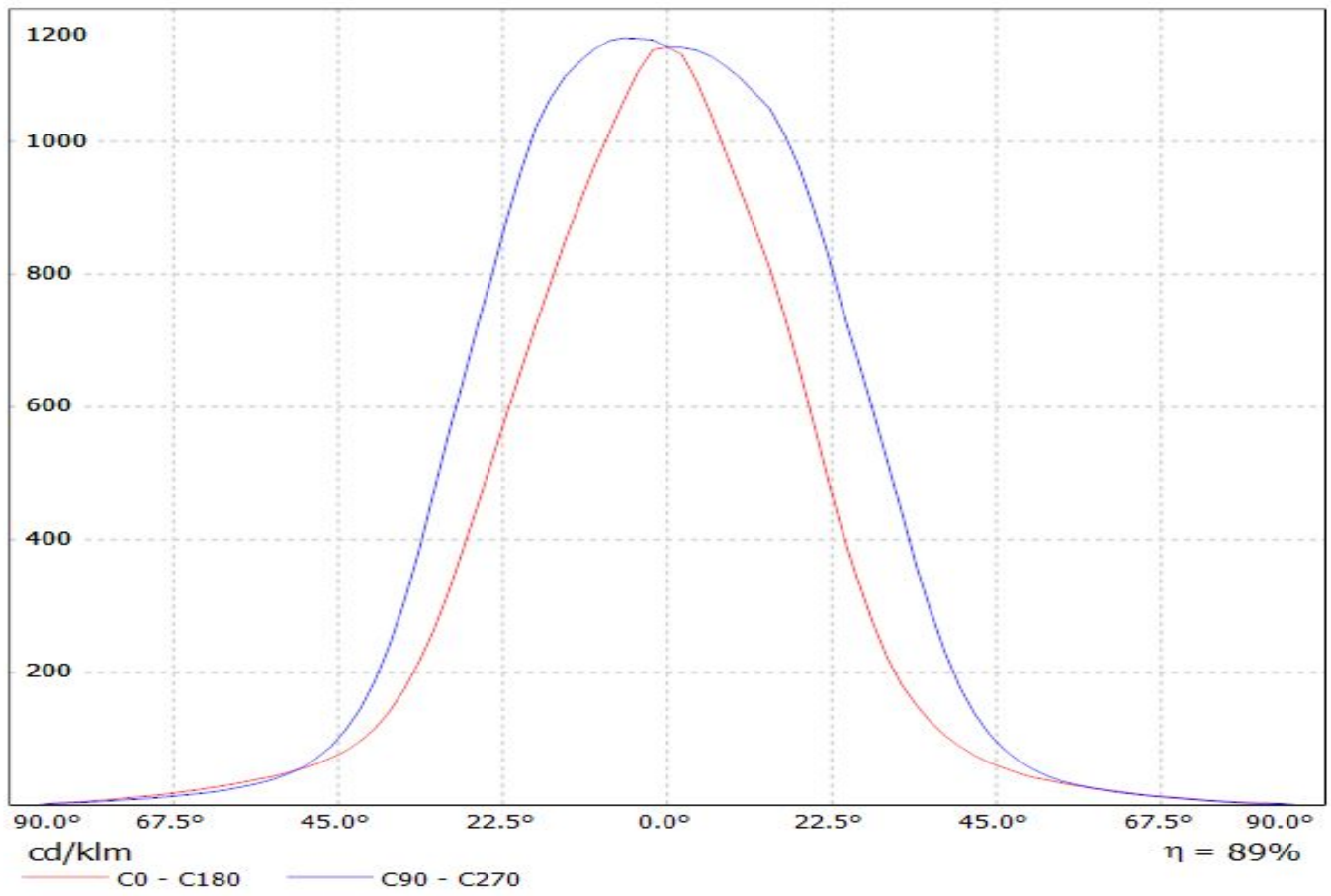
A

Luminaire: LEDIL OY FA11870-Tina3-OO (XP-G) Efficiency=93%  
Lamps: 1 x Cree XP-G (82lm@250mA)

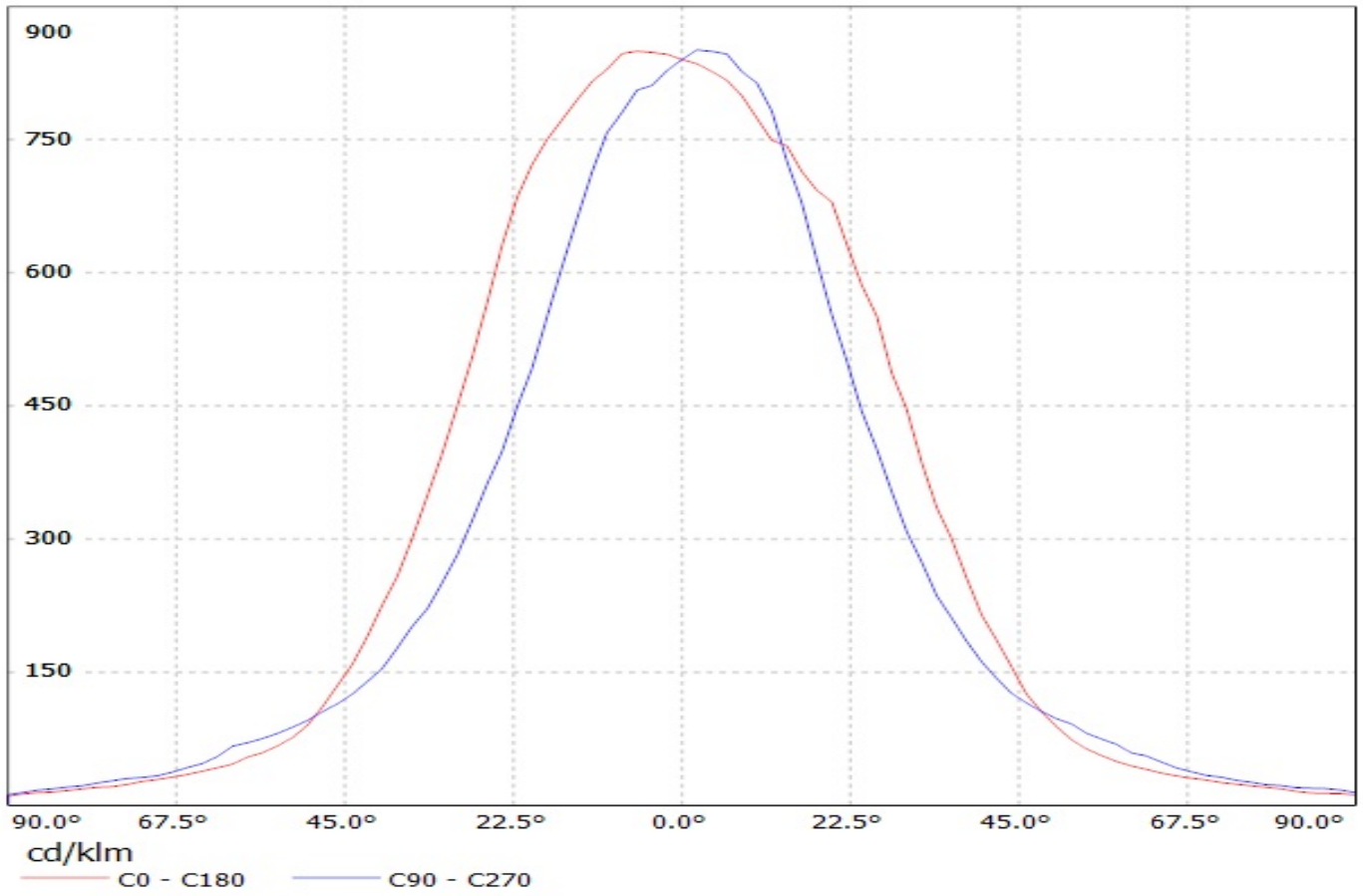


Luminaire: Ledil Oy FA11870\_TINA3-OO\_(XB-H)

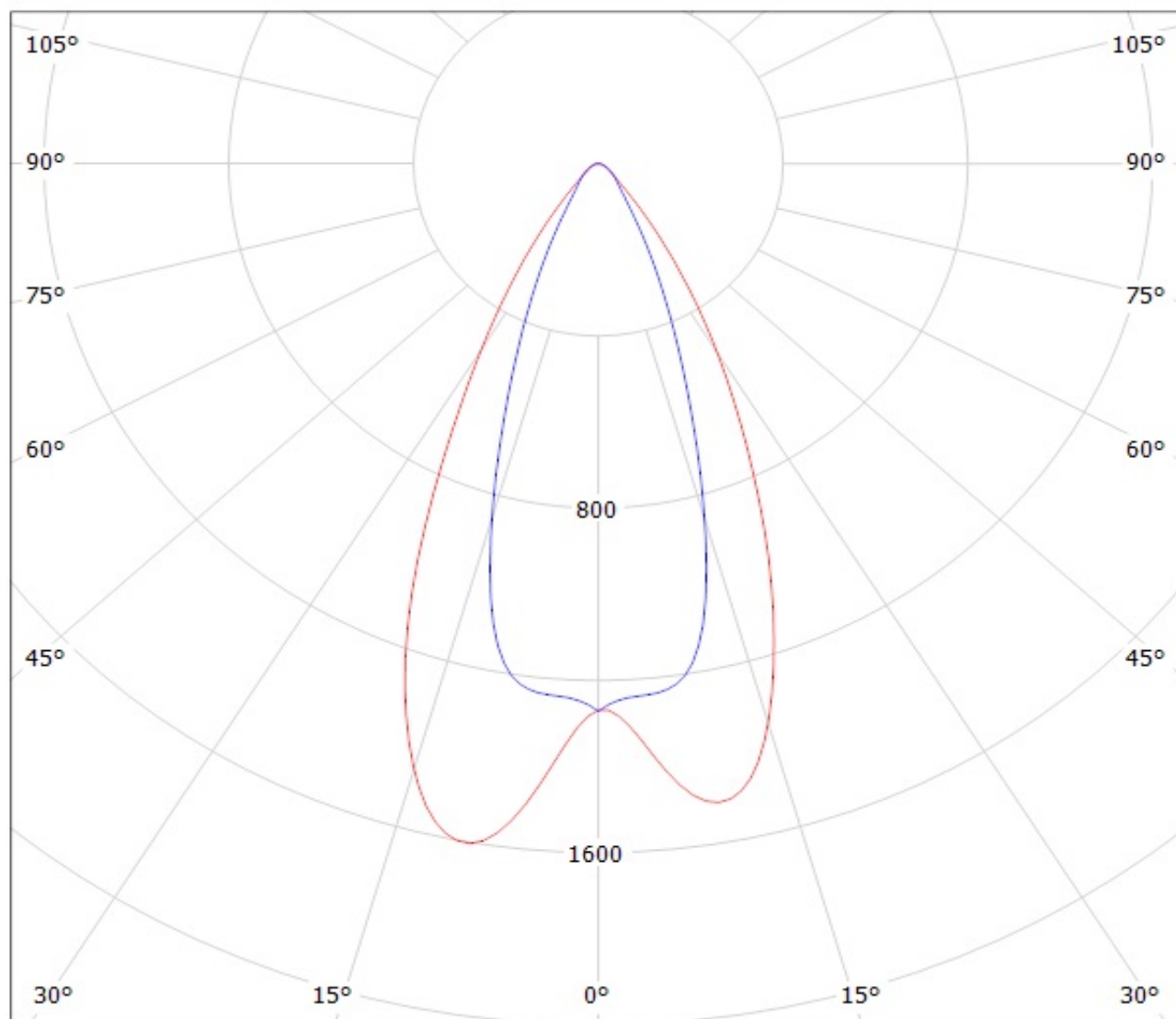
Lamps: 1 x Cree XB-H (XBHAWT-0-3C0-T50-0B-0001) 106lm @ 250mA CCT= P=0.73W I=250mA



Luminaire: Ledil Oy FA11870\_TINA3-OO-SQ-EC (Osram Square EC 78lm @ 250mA) Efficiency=87%  
Lamps: 1 x Osram Square EC 78lm @ 250mA



Luminaire: LEDIL OY FA11870-Tina3-OO (XP-G) Efficiency=93%  
Lamps: 1 x Cree XP-G (82lm@250mA)



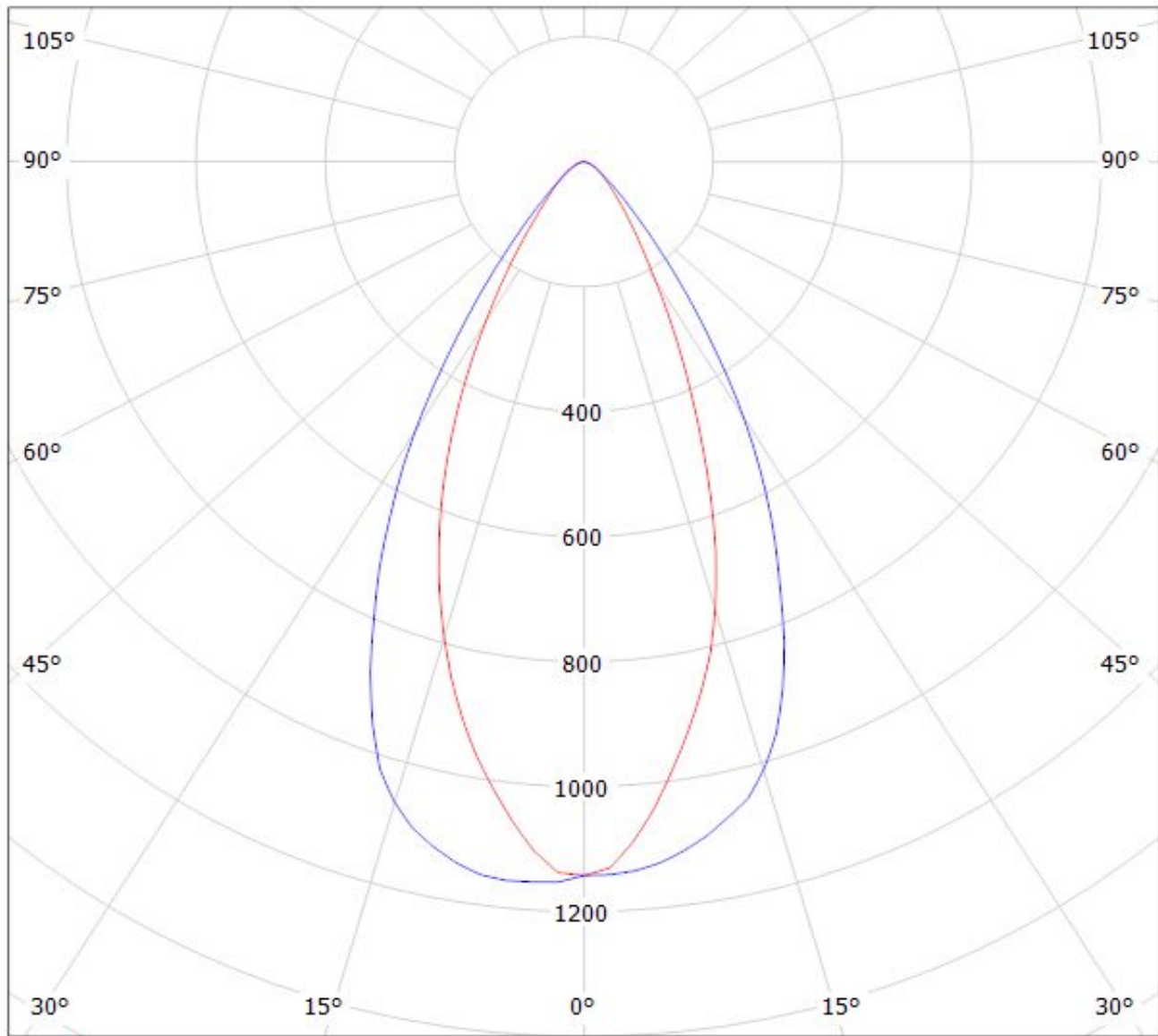
cd/klm

— C0 - C180

— C90 - C270

Luminaire: Ledil Oy FA11870\_TINA3-OO\_(XB-H)

Lamps: 1 x Cree XB-H (XBHAWT-0-3C0-T50-0B-0001) 106lm @ 250mA CCT= P=0.73W I=250mA



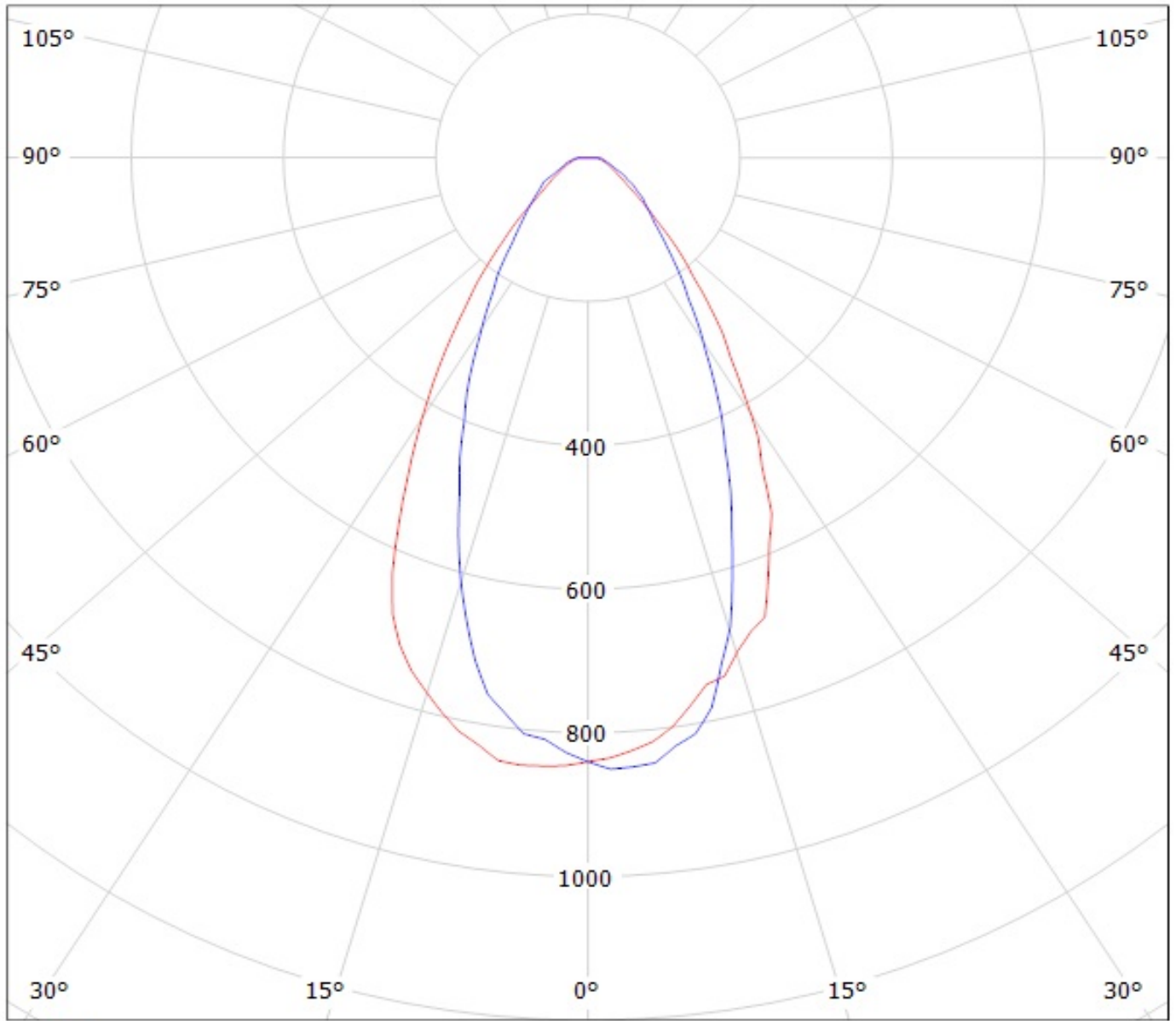
cd/klm

$\eta = 89\%$

— C0 - C180

— C90 - C270

Luminaire: Ledil Oy FA11870\_TINA3-OO-SQ-EC (Osram Square EC 78lm @ 250mA) Efficiency=87%  
Lamps: 1 x Osram Square EC 78lm @ 250mA



cd/klm

— C0 - C180    — C90 - C270



**NOTE: The typical divergence will be changed by different color, chip size and chip position tolerance. The typical total divergence is the full angle measured where the luminous intensity is half of the peak value.**