

Data sheet

Commercial Art.No.: 27.002.4253.0

Printed circuit board terminal 7572 L2 / 3 / 2 OB

PCB terminal, 3 poles, with solder pin (3.5mm), pitch: 10.16 mm, type of packing:
carton, color: grey



| | |
|--------------------|---------------|
| Commercial Art.No. | 27.002.4253.0 |
| EAN | 4015573661967 |
| Order Unit | 50 |

Certificates / Approvals



Technical data

General

| | |
|----------------------------|------------------|
| Modular spacing | 20.32 mm |
| Connection type | screw connection |
| Soldering process | Wave soldering |
| Packaging | Carton |
| Number of poles | 2 |
| Conductor to circuit board | 180° |
| Number of levels | 1 |
| Integrated test socket | No |
| Insulation plate | No |
| Retaining pins | No |
| Marking | No |

Technical data

| | |
|--------------------------|--------------------|
| Nominal cross section | 10 mm ² |
| Rated current | 76 A |
| Overvoltage Category I | 1000 V |
| Overvoltage Category II | 800 V |
| Overvoltage Category III | 1000 V |
| Rated impulse voltage | 8 kV |
| Wire strip length | 12 mm |

Connection Data

| | |
|-----------------------------|---------------------|
| Minimum cross section solid | 0.5 mm ² |
|-----------------------------|---------------------|

| | |
|-------------------------------------|---------------------|
| Maximum cross section solid | 16 mm ² |
| Minimum cross section fine stranded | 0.5 mm ² |
| Maximum cross section fine stranded | 10 mm ² |
| Wire strip length | 12 mm |

Technical Data UL/CSA

| | |
|------------------------|----------|
| Cross section UL | 22-6 AWG |
| Voltage UL | 600 V |
| Current field wiring | 60 A |
| Current factory wiring | 60 A |
| Cross section CSA | 22-6 AWG |
| Voltage CSA | 600 V |
| Current CSA | 60 A |

Other

| | |
|-----------------------------|---------------|
| Type of insulation material | Thermoplastic |
| Color | Grey |
| Height | 28.5 mm |
| Length | 30.48 mm |
| Depth | 18.3 mm |
| Material attachment screw | Steel |
| Material contact base | E-Cu |
| Material contact surface | Sn |

Classification

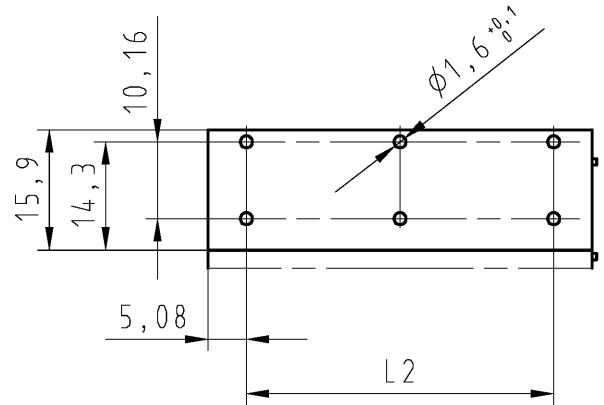
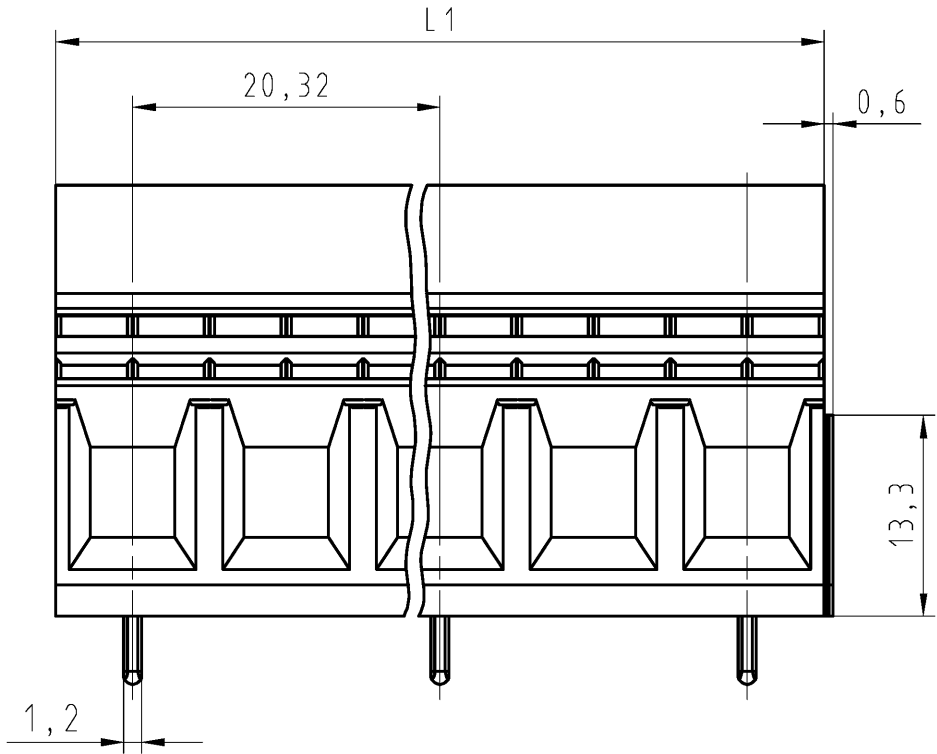
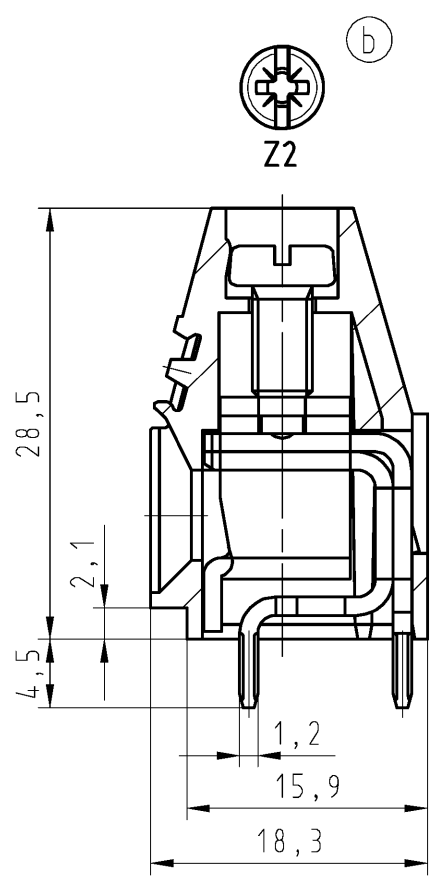
| | |
|------------|----------|
| ECLASS 11 | |
| ECLASS 8.1 | 27440401 |
| ETIM 7.0 | EC002643 |
| ETIM 6.0 | EC002643 |
| ETIM 5.0 | EC002643 |
| ETIM 4.0 | EC002643 |

These dimensions will be especially checked at delivery
Only inspection dimensions
With /E marked dimensions are only valid for internal use

Diese Maße werden bei Abnahme besonders geprüft
Ausschließlich Prüfmaße
Mit /E gekennzeichnete Maße sind nur für interne Zwecke gültig

These dimensions will be especially checked at delivery
Only inspection dimensions
With /E marked dimensions are only valid for internal use

Diese Maße werden bei Abnahme besonders geprüft
Ausschließlich Prüfmaße
Mit /E gekennzeichnete Maße sind nur für interne Zwecke gültig



Lochbild (M 1/1)
Lochbildtoleranzen nach DIN
IEC 326 Teil 3 sehr fein
drill hole tolerances acc. to DIN
IEC 326 part 3 very fine

gezeichnet/drawn:
27.000.4353.0

Technische Daten
Technical Data

| | | | |
|--|------|------|------|
| | VDE | UL | CSA |
| Bemessungsspannung V rated voltage | 1000 | C600 | C600 |
| Bemessungsstrom A rated current | 57 | C65 | C60 |
| Anschlußbereich max.mm /AWG connection range | 16 | 6 | 6 |
| Brennbarkeitsklasse UL 94 V-0 flamability rating UL 94 V-0 | | | |
| Klemmschraube M4 clamping screw | | | |
| Verschmutzungsgrad 3/Überspannungskategorie III pollution degree 3/overvoltage category III | | | |
| Kontaktbasismaterial E-Cu 57 F 37 contact basis material | | | |
| Diffusionssperre $\geq 3 \mu\text{m Ni}$ diffusion barrier | | | |
| Kontaktfläche Sn 4-6 μm contact surface | | | |
| Isoliermaterial PA66 insulating material | | | |

Weitere Daten siehe Katalog
further data see catalog

(a)

T

7572 L2
/. OB

LP_KLEMME
Rastermaß 20,32
PCB-Terminal pitch :20,32

| Teile-Nr. part no. | Typ type | Polzahl pole | L1 | L2 |
|-----------------------|--------------------|-----------------|-------|-------|
| 27.002.4253.0 | 7572 L2 / 3 / 2 OB | 2 | 30,48 | 20,32 |
| 27.002.4353.0 | 7572 L2 / 5 / 3 OB | 3 | 50,80 | 40,64 |

| | | | |
|---|--|---|--|
| Tolerierung Size ISO 14405 (E) / Tolerance system Size ISO 14405 (E). (This ISO-standard describes the envelope principle. According to the envelope principle the deviations of form and parallelism are limited by the size tolerances). | | ja/yes <input checked="" type="checkbox"/> Stoffverbots- und Deklarationsliste nach WN 5020.010 ist einzuhalten. Conformity with Wieland document WN 5020.010 e (list of prohibited / declarable hazardous substances) to be declared! | |
| Freitoleranz nach General tolerance | | CAD - Zeichnung, keine manuellen Änderungen CAD - drawing, no manual modifications allowed | |
| 1. Verwendung: First Use: | | Blatt: 1 von 1 Sheet: of 1 | |
| Werkstoff/Material Farbe: grau, ähnl. RAL 7032 colour: grey, sim. to RAL 7032 | | Zeichnung Nr./Drawing No. | |
| Maßstab/Scale 2:1 | | 27.002.4253.0 01K b | |
| Vol. mm ³ / Of l./Surf. mm ² | | Maße in mm/Dimensions are in mm | |
| Ersatz für/Replacement for: - | | Index | |
| b 14.07.2015/ a 17.05.2006/ Index Datum / Blatt Date / Sheet | | Type Benennung/Title | |
| Änderung/Revision | | 7572 L2 /. OB | |
| www.wieland-electric.com | | LP_KLEMME Rastermaß 20,32 PCB-Terminal pitch :20,32 | |

Weitergabe sowie Verwertung dieses Dokuments, Verwertung und Mitteilung
 seines Inhalts sind verboten, soweit nicht ausdrücklich gestattet.
 The reproduction, distribution and utilization of this document as well as the
 communication of its contents to others without express authorization is prohibited.