

SPECIFICATION

APPROVAL SHEET



CUSTOMER:
PRODUCTS: CBB21 series DC Capacitor
CATEGORY: 2.2μF 400Vdc
ORDERING CODE: 225K401D11101
CUSTOMER CODE:
DATE: Jul 11th, 2022 (Ver 0)

承認印/APPROVAL STAMP	
供方 /VENDER	客戶 /CUSTOMER
Design	Audit
J.L Jul. 11 th , 2022	X.J Jul. 11 th , 2022

Specification Revisions:

Revision Level	Revision Change	Date	Initials

CABO ELECTRONICS(FOSHAN) LIMITED

TEL: 86-757-8879 3288 FAX: 86-757-8619 7918
 info@cabonix.com www.cabonix.com

A Hi-Reliability capacitor brand of China

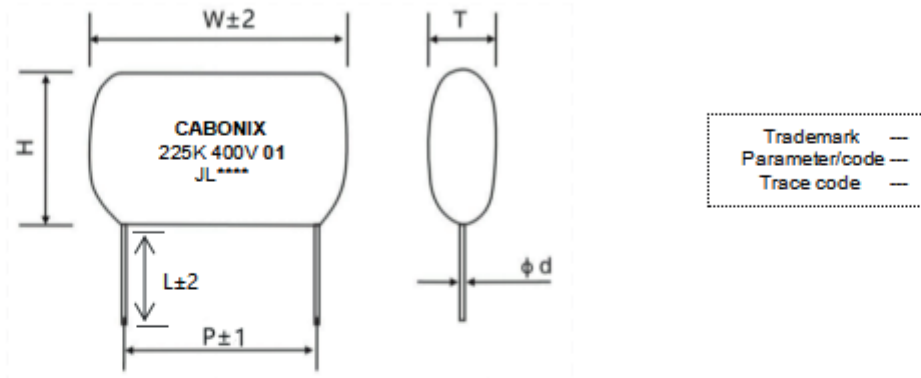
Failure Rate ≤50FIT | 100% Tested Before Delivery



技術圖紙請勿外傳! 該產品引用了多項自主技術專利, CABO 保留追究一切技術圖紙外流損失的權利。
 Confidential and invention patents are contained in CABO solution, disclosure or distribution of this specification is prohibited.

CBB21 series polypropylene film Capacitor

2.2 μ F400Vdc Ordering code:225K401D11101



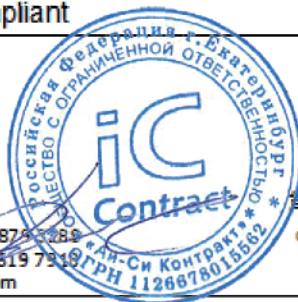
Trademark —
Parameter/code —
Trace code —

幾何尺寸/Dimensions(mm)					
W	H	T	P	Φd	L
30	22	11.5	27.5	0.8	22

Dimensions in mm, unspecified dimensions tolerance ± 1 mm

技術參數 Technical specification

Electrical Characteristics	
Capacitance (C_n)	2.2 μ F
Capacitance tolerance	$\pm 10\%$ (K)
Rated voltage (U_n)	400Vdc
Operating Temperature (T_w)	-40~+85 $^{\circ}$ C
Withstand Voltage	800Vdc / 2S
Dissipation factor	Tan $\theta \leq 0.001$ @1kHz
Insulation Resistance (R_i)	$C_n \leq 0.33\mu F \geq 30000m\Omega(100VDC, 60s)$ $C_n > 0.33\mu F \geq 7500S(100VDC, 60s)$
Thickness of Epoxy	> 0.3mm
Phosphorus Content	0 μ g
Fire resistance	UL 94 V-0
RoHs compliant	Yes



青博電子(佛山)有限公司
CABO Electronics(Foshan)Ltd.

Tel// +86 757 88753289
Fax//+86 757 8619 7919
www.CABONIX.com



引用標準 Reference standard

GB/T 10190-88 IEC 60384-16

特點及用途 Features and Applications

The capacitor is encapsulated with epoxy resin, It have stable electrical and self-healing performance. Used in high voltage, impulse, ignition, resonance circuit. It can be widely used for LED light, communication device, audio, energizer and other appliances.

包裝與運輸 Packing and shipment

The capacitors are packed into a cardboard box, any kinds of shipment are permitted. But the sprinkle of rain or snow and mechanical damage must be avoided.

提醒和警示 Cautions and Warnings

- (1) The capacitor have not discharge resistors between terminals, so the energy stocked in the capacitor may be lethal, before handle capacitors please discharge through resistor, short-circuit the capacitor is not permit.
- (2) Check thickness of the connections/terminals periodically.
- (3) Do not use or store capacitors in corrosive atmosphere, especially where chloride gas, sulfide gas, acid, alkali,salt or the like are present. In the dusty environment regular maintenance and cleaning especially of the terminals is required to avoid conductive path between phases.
- (4) All the data measured at Room Temperature(R.T. 23±8℃) unless otherwise specified.
- (5) CABO is not responsible for any damages, which are caused by the improper installation and application. Before using the capacitor in any application, please read carefully this technical data-sheet.
- (6) Specifications are subject to change without prior notice. Don't hesitate to contact us for any doubts and more detail information.



肯博電子(佛山)有限公司
CABO Electronics(Foshan)Ltd.

