

## Data sheet

Commercial Art.No.: 96.024.0053.0

Connector RST20I2F S23YR1 V GL

RST20i3/2 connector (90° angled), 2 pole, male, spring clamp connection, application 250V, 20A, for cable diameters 6-10mm, coding color light grey, color of housing light grey



|                    |               |
|--------------------|---------------|
| Commercial Art.No. | 96.024.0053.0 |
| EAN                | 4049644007590 |
| Order Unit         | 1             |

Certificates / Approvals



## Technical data

### General

|  |                                  |
|--|----------------------------------|
| Rated current                            | 20 A                             |
| Rated voltage                            | 250 V                            |
| Rated impulse voltage                    | 4 kV                             |
| strain relief                            | yes                              |
| Pollution degree                         | 3                                |
| Lockable                                 | self-locking (unlocking by tool) |
| Color of coding/ contact carrier         | light grey                       |
| Marking of poles                         | L, N                             |
| Color of housing inclusive strain relief | light grey                       |

### Connection Data

|   |                      |
|---|----------------------|
| Cable diameter max.   | 10 mm                |
| Cable diameter min.   | 6 mm                 |
| Connection cross section solid mm <sup>2</sup> max.         | 2.5 mm <sup>2</sup>  |
| Connection cross section solid mm <sup>2</sup> min.         | 0.5 mm <sup>2</sup>  |
| Connection cross section solid AWG min.                     | 20 AWG               |
| Connection cross section solid AWG max.                     | 14 AWG               |
| Connection cross section fine stranded mm <sup>2</sup> max. | 1.5 mm <sup>2</sup>  |
| Connection cross section fine stranded mm <sup>2</sup> min. | 0.5 mm <sup>2</sup>  |
| Terminations per pole                                       | 2                    |
| Connection cross section stranded mm <sup>2</sup> min.      | 0.75 mm <sup>2</sup> |
| Connection cross section stranded mm <sup>2</sup> max.      | 1.5 mm <sup>2</sup>  |
| Connection cross section stranded AWG min.                  | 20 AWG               |

|  |         |
|--|---------|
| Connection cross section stranded AWG max. | 16 AWG  |
| sheath strip length                        | 35 mm   |
| Wire strip length                          | 14.5 mm |

#### Model

|                           |                         |
|---------------------------|-------------------------|
| Model                     | male                    |
| Connection type           | spring clamp connection |
| Degree of protection (IP) | IP66/68 (3m;2h) /IP69   |

#### Material

|  |               |
|--|---------------|
| Housing material                             | Polyamide     |
| halogen free                                 | yes           |
| Contact material                             | CuZn          |
| Fire load                                    | 0.303 kWh     |
| Insulation components continuous temperature | 100 °C        |
| Surface finish                               | Silver-plated |

#### Dimensions

|        |         |
|--------|---------|
| Length | 70.5 mm |
| Width  | 34.6 mm |
| Height | 62.3 mm |

#### Classification

|            |          |
|------------|----------|
| ECLASS 11  |          |
| ECLASS 8.1 | 27440605 |
| ETIM 7.0   | EC002560 |
| ETIM 6.0   | EC002560 |
| ETIM 5.0   | EC002560 |
| ETIM 4.0   | EC002560 |

#### Note

|      |  |
|------|--|
| Note | Fine stranded and stranded conductors require cable end sleeve |
|------|--|

#### Product compliance

|                              |                    |
|------------------------------|--------------------|
| ROHS conformity status       | Compliant/Exempted |
| ROHS exceptions              | III-6(c)           |
| REACH-SVHC conformity status | Duty-To-Declare    |
| REACH-SVHC substances        | Lead               |
| REACH-SVHC CAS numbers       | 7439-92-1          |

#### Accessories

| Commercial Art.No.: | Article-type description:   | Description:  |
|---------------------|-----------------------------|---|
| 05.564.4453.0       | Cover for male connector GL | RST20i3/2 cover piece, for covering unused male connectors, color light grey                      |
| 99.415.6205.2       | Cover for male connector GL | RST20i3/2 cover piece, for covering unused male connectors, with fastening belt, color light grey |

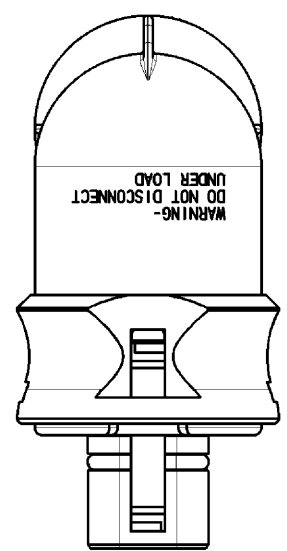
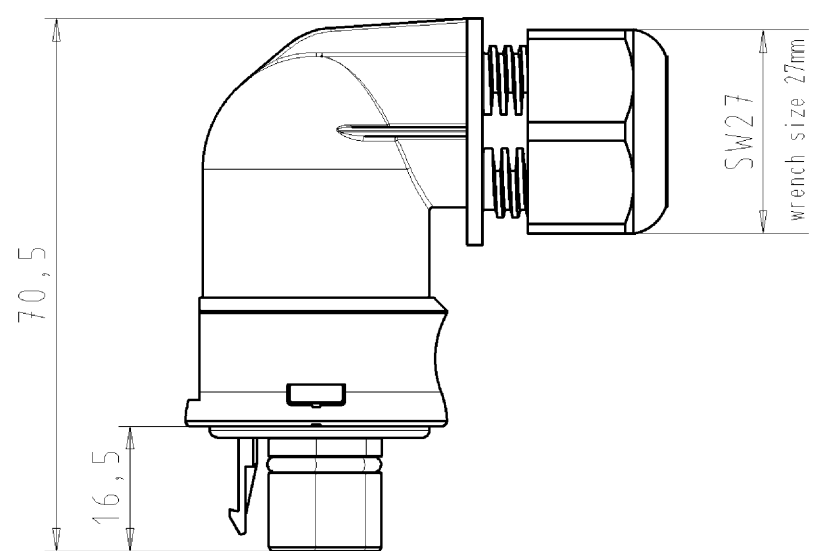
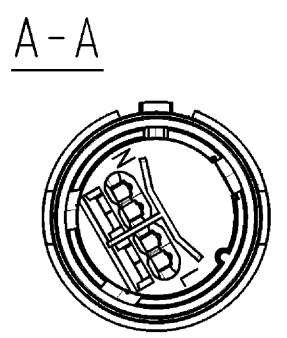
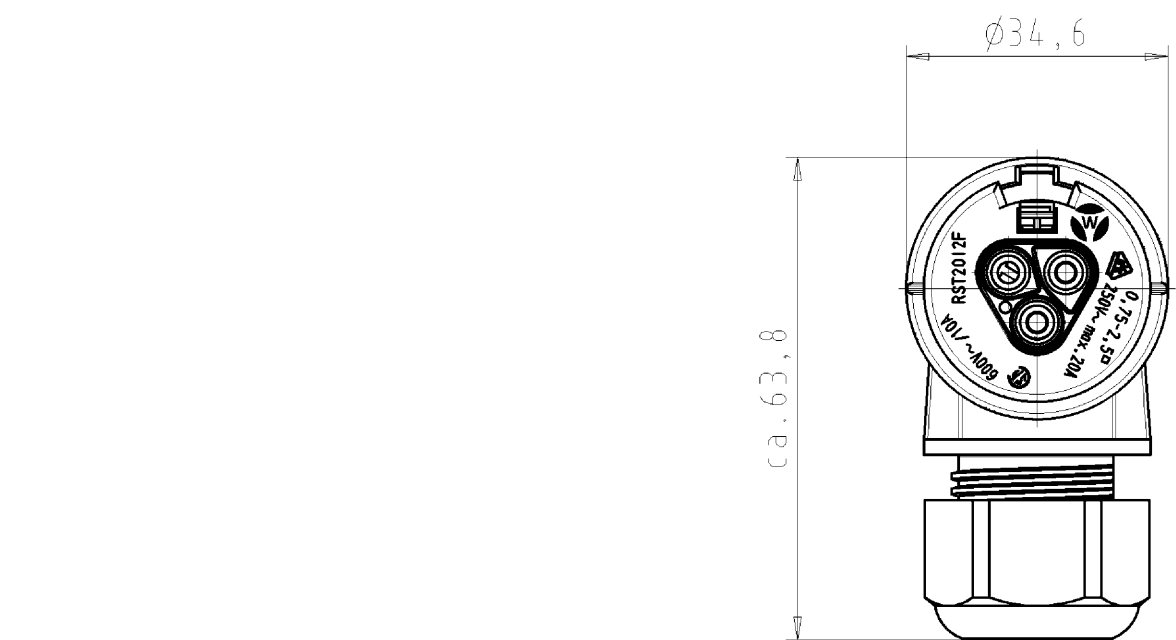
|               |   |   |
|---------------|---|---|
| 06.502.4300.0 | screwdriver DIN 5264 A 0,4 X 2,5                | Screw driver according to DIN 5264 A, blade: 0.4x2.5 mm, long and straight version  |
| 95.101.1300.0 | ferrule crimping tool 0,08 - 10 mm <sup>2</sup> | Crimping tool for ferrules, wire strip length: 7-28 mm, nominal cross section: 0,08-10 mm <sup>2</sup> , length of tool: 180 mm |
| 06.600.3627.0 | ferrules DIN 46228-E1-12                        | RST end sleeve, for spring clamp contact, with insulating sleeve, for cross section 1.0 mm <sup>2</sup> /AWG17                  |
| 06.600.3727.0 | ferrules DIN 46228-E0,75-12                     | RST end sleeve, for spring clamp contact, with insulating sleeve, for cross section 0.75-1.0 mm <sup>2</sup> /AWG17             |
| 06.600.3827.0 | ferrules DIN 46228-E0,5-10                      | RST end sleeve, for spring clamp contact, with insulating sleeve, for cross section 0.5 mm <sup>2</sup> /AWG20                  |
| 06.600.3927.0 | ferrules DIN 46228-E1,5-12                      | RST end sleeve, for spring clamp contact, with insulating sleeve, for cross section 1.5 mm <sup>2</sup> /AWG16                  |

### Fits with

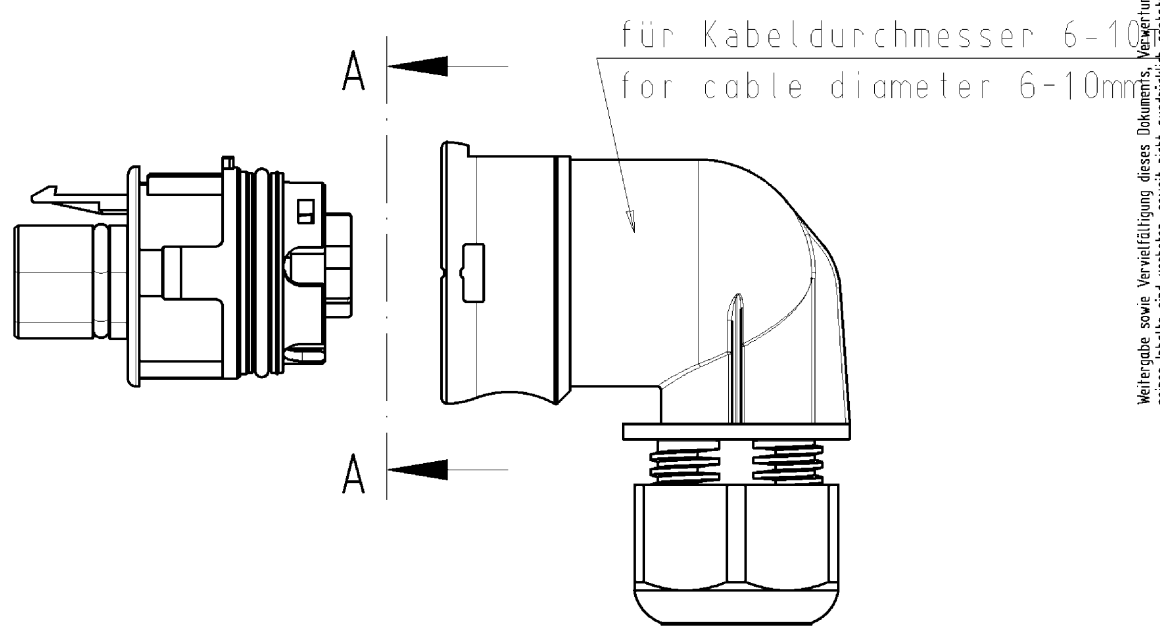
| Commercial Art.No.: | Article-type description:       | Description:  |
|---------------------|---------------------------------|---|
| 96.020.0153.0       | Distributor RST20I2V 3P1 F V GL | RST20i3/2 distribution block, 2 pole, application 250V, 20A, 1 input and 3 outputs, with fastening option, coding color light grey, color of housing light grey       |
| 96.021.0053.0       | Connector RST20I2F B23ZR1 GL    | RST20i3/2 connector, 2 pole, female, spring clamp connection, application 250V, 20A, for cable diameters 6-10mm, coding color light grey, color of housing light grey |

These dimensions will be especially checked at delivery  
 Only inspection dimensions  
 With /E marked dimensions are only valid for internal use

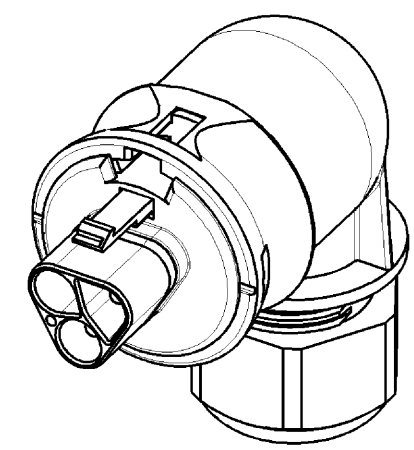
Diese Maße werden bei Abnahme besonders geprüft  
 Ausschließliche Prüfmaße  
 Mit /E gekennzeichnete Maße sind nur für interne Zwecke gültig



Auslieferungszustand  
delivery status



Verpackungseinheit: je 100 Stück  
 packaging unit: per 100



Weitergabe sowie Vervielfältigung dieses Dokuments, Verwertung und Mitteilung seines Inhalts sind verboten, soweit nicht ausdrücklich gestattet. Die Reproduktion, Distribution und Nutzung dieses Dokuments, sowie die Kommunikation der Inhalte an Dritte, ist ohne schriftliche Genehmigung der Wieland-Werke AG ist untersagt.

|  |  |   |                                |
|--|--|---|--------------------------------|
| Tolerierung nach DIN 7167/Tolerance system acc. to DIN 7167.<br>(This DIN-standard describes the envelope principle. According to the envelope principle the deviations of form and parallelism are limited by the size tolerances). |  | ja/yes <input checked="" type="checkbox"/> Stoffverbots- und Deklarationsliste nach UU-TOM-05/03 ist einzuhalten.<br>Conformity with Wieland document UU-TOM-05/03 (list of prohibited / declarable hazardous substances) to be declared! |                                |
| Freitoleranz nach General tolerance  |  | CAD - Zeichnung, keine manuellen Änderungen<br>CAD - drawing, no manual modifications allowed   | 1. Verwendung: -<br>First Use: |
| Blatt: 1 von 1<br>Sheet: 1 of 1  |  | Zeichnung Nr./Drawing No. Index   |                                |
| T 96.024.0053.0 01K  |  | Maße in mm/Dimensions are in mm   |                                |
| Maßstab/Scale 1:1  |  | Ersatz für/Replacement for: -   |                                |
| Wieland Elektrische Verbindungen   |  | Type Benennung/Titel  |                                |
| STECKERTEIL MIT ZUGENTLASTUNG  |  | male connector with cord grip 90°<br>Federkraftanschluss/spring-clamp connection  |                                |

| Teile-Nr./<br>part-nr. | Farbe:/<br>color:  | Type                 |
|------------------------|--|----------------------|
| 96.024.0053.1          | schwarz, ähnl. RAL 9005/<br>black, similar to RAL 9005       | RST20i2F S23YR1 V SW |
| 96.024.0053.0          | lichtgrau, ähnl. RAL 7035/<br>lightgrey, similar to RAL 7035 | RST20i2F S23YR1 V GL |

960240053001K\_2 CADW2028 hollet: 2011-03-02T08:45:43 1.000