

Data sheet

Commercial Art.No.: 81.000.6110.0

Switched-mode power supply WIPOS P1 24-1.25

wipos switched-mode power supply, nominal voltage: 24 V DC / 1,25A (setting range 24-28 V DC), sustained short-circuit protection, input voltage range: 85-264 V AC / 90-375V DC, single phase, W x H x D: 40,5 × 88,5 × 115 mm



Commercial Art.No.	81.000.6110.0
EAN	4049088037443
Order Unit	1

Certificates / Approvals



Technical data

General

Connection type	screw connection
Number of phases	Single phase power supply
Modular version	No
Mounting type, other	No
Mounting type, wall mounting	No
Rail mounting possible	yes
Housing material	Polycarbonato
Operating temperature min.	-40 °C
Operating temperature max.	71 °C
relative humidity min.	20 %
relative humidity max.	95 %
Storage temperature / transport min.	85 °C
Storage temperature / transport max.	-40 °C
Degree of protection (IP)	IP20
Parallel-service possible	No

Technical data

permissible load	min. 700 Ohm
Function display	"DC OK" (LED green) (U(o) 17.6...19.4V)
Short-circuit protective device	Strombegrenzung (fold forward)
temperature coefficient	±0,03%/K
ripple and noise	< 0.05 V
hold time 115V AC	> 20 ms

hold time 230V AC	> 30 ms
isolating voltage Output DC	4242 V
cohesive resistance (In-/Output)	100 MOhm
Derating	61°C...71°C: 2,5 %/K
cooling	free convection
MTBF	588.000h
Connector cross section (input)	min. 0.2mm ² (AWG24)max.2.5mm ² (AWG12)
Connector cross section (output)	min. 0.2mm ² (AWG24)max.2.5mm ² (AWG12)
Connector cross section PE	min. 2,5mm ² (AWG14)
Wire strip length	5 mm
Permissible torque max.	0.6 Nm
CE-Norm	EN55022 & EN61000-6-3, EN61000-3-2,EN61000-3-3, EN55024 & EN61000-6-2,EN61000-4-2, EN61000-4-3, EN61000-4-4,EN61000-4-5, EN61000-4-6, EN61000-4-8,EN61000-4-11, EN60204-1, EN61204-3
TÜV/safety	EN60950-1, EN61558-1, EN61558-2-16(erfüllt EN60204) , IRAM
Approval cULus	UL 508 Listed, UL60950-1 RecognizedUL 1310 Class 2 Power supply
Number of +	2
Number of -	2
Further terminals	L1, N, PE, OK (Switch output Open-Collector)
OK port Switch at U(out)	< 19.2 V
OK port supply	Con uscita in tensione 24Vcc

Output

Type of output voltage	DC
Power output	35 W
Output voltage stabilized	yes
Output voltage	24 V
Min. output voltage	24 V
Max. output voltage	28 V
Output current	1.25 A

Input

Type of voltage (input voltage)	
Power consumption	< 42 VA
Input voltage DC min.	90 V
Input voltage DC max.	375 V
Input voltage AC min.	85 V
Input voltage AC max.	264 V
Rated frequency min.	47 Hz
Rated frequency max.	63 Hz
Input fuse	T2A / 250V (intern)

Dimensions

Depth	115 mm
Width	40.5 mm
Height	90 mm
Mounting Distance horizontal	25 mm
Mounting Distance vertical	25 mm
Weight	290 g

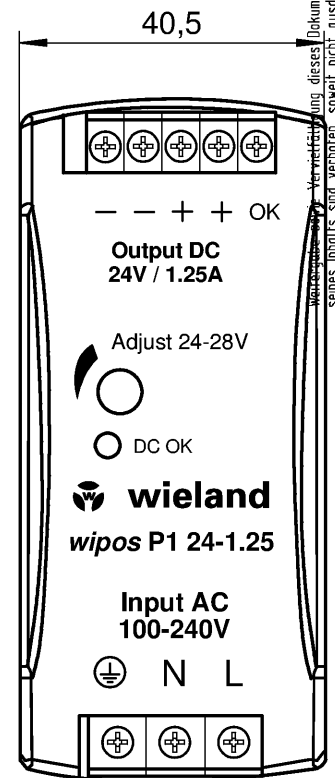
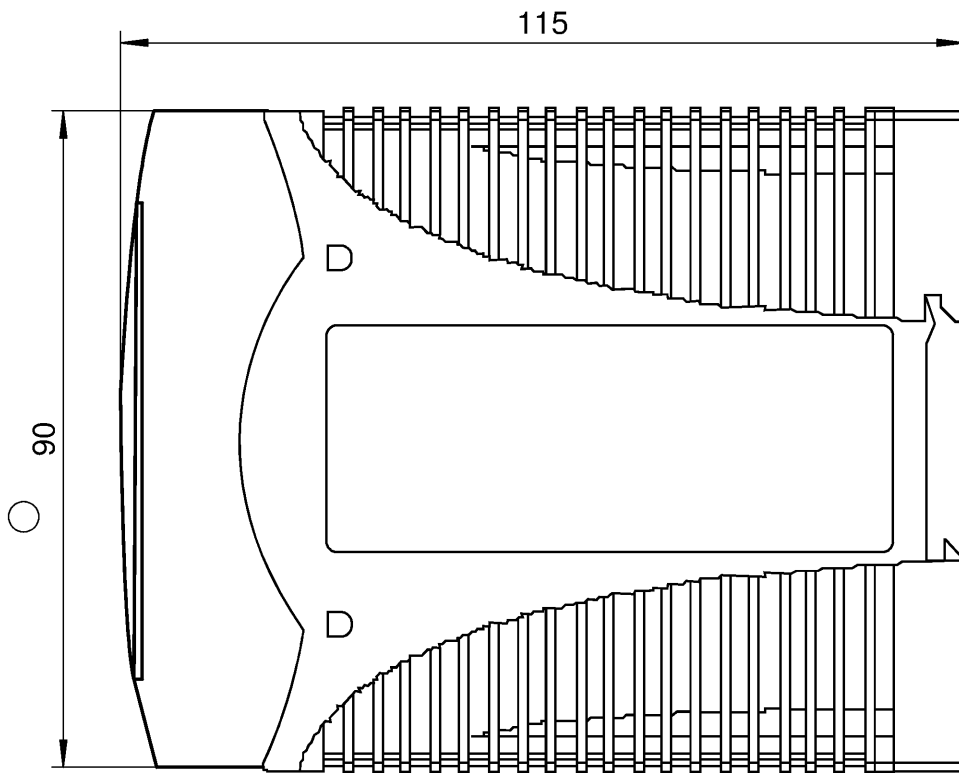
Classification

ECLASS 11	
-----------	--

ECLASS 8.1	27049002
ETIM 7.0	EC002540
ETIM 6.0	EC002540
ETIM 5.0	EC002540

Product compliance

ROHS conformity status	Compliant
REACH-SVHC conformity status	Compliant



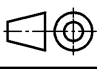

Weiterverbreitung dieses Dokuments, Verwertung und Mitteilung
 seines Inhalts sind verboten, soweit nicht ausdrücklich gestattet.
 The reproduction, distribution and utilization of this document as well as the
 communication of its contents to others without express authorization is prohibited.

Qu - PEE 12/92

Weitere Daten siehe KATALOG oder eKatalog.
 Additional data see CATALOG or e-Catalog.

www.wieland-electric.com
e-shop.wieland-electric.com

ja/yes Stoffverbots- und Deklarationsliste nach UU-TQM-05/03 ist einzuhalten.
 Conformity with Wieland document UU-TQM-05/03 (list of prohibited / declarable hazardous substances) to be declared!

Freitoleranz nach General tolerance		CAD-Zeichnung, keine manuellen Änderungen CAD-Drawing, no manual modifications allowed		1. Verwendung: First Use: *		Blatt: Sheet: *	
 Maßstab/Scale		Werkstoff/ Material		2014	Tag/ Date	Name	Zeichnung Nr./ Drawing No. 81.000.6110.0 01K
				gezeichnet drawn	26.02.	Kötzner	
				geprüft checked			Maße in mm/Dimensions are in mm
				Normgepr. Stand. check			
Datei/ File: 028911_A_01K.DCD		Ersatz für/ Replacement for:					
 wieland Elektrische Verbindungen		Type	Benennung/ Title Schaltnetzteil / Switching Power Supply wipos P1 24 V DC / 1.25 A 1PH				
Index	Datum/ Blatt Date/ Sheet						
Änderung/ Revision							

810006110001K_2 CADW3072 Koetzner 2014-02-26T13:06:24 1.000