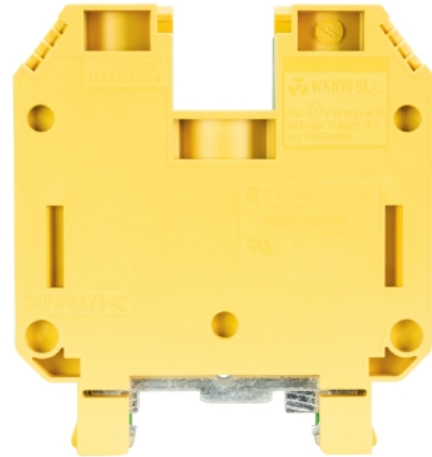


Data sheet

Commercial Art.No.: 57.570.9055.0

Earth terminal WKN 70 SL

Ground terminal with Screw connection for mounting on TS 35, nominal cross section: 70 mm², width: 24 mm, color: Green-yellow



Commercial Art.No.	57.570.9055.0
EAN	4015573662407
Order Unit	20

Certificates / Approvals



CAN-Ex

ATEX



SEV-Ex



Technical data

General

Nominal cross section	70 mm ²
Color	Green/yellow
Number of levels	1
Number of clamp positions per level	2
Width/grid dimension	24 mm
Insulating housing	PA666
Inflammability class of insulation material acc. with UL94	V0
Explosion-tested version "Ex e"	yes
Mounting method	DIN rail (top hat rail)/G-rail
Terminal blocks for electrical installations	No

Technical data

Rated voltage	800 V
Rated impulse voltage	8 kV
Pollution degree	3
Closing plate required	No
Type of insulation material	Thermoplastic
Length	75.2 mm

Connection Data

Connection type 1	screw connection
Connection type 2	screw connection

Minimum cross section fine stranded	10 mm ²
Maximum cross section fine stranded	70 mm ²
Minimum cross section stranded	16 mm ²
Maximum cross section stranded	95 mm ²
Wire strip length	24 mm
Torque conductor mounting	6 Nm
Torque rail mounting	6 Nm

Technical Data UL/CSA

Cross section UL	6-2/0 AWG
Voltage UL	600 V
Cross section CSA	6-2/0 AWG
Voltage CSA	600 V

Classification

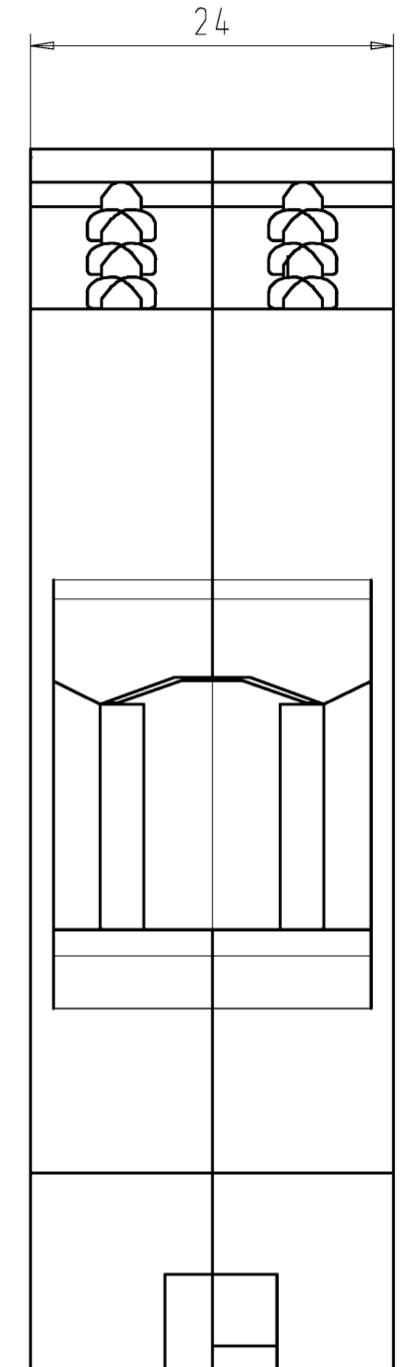
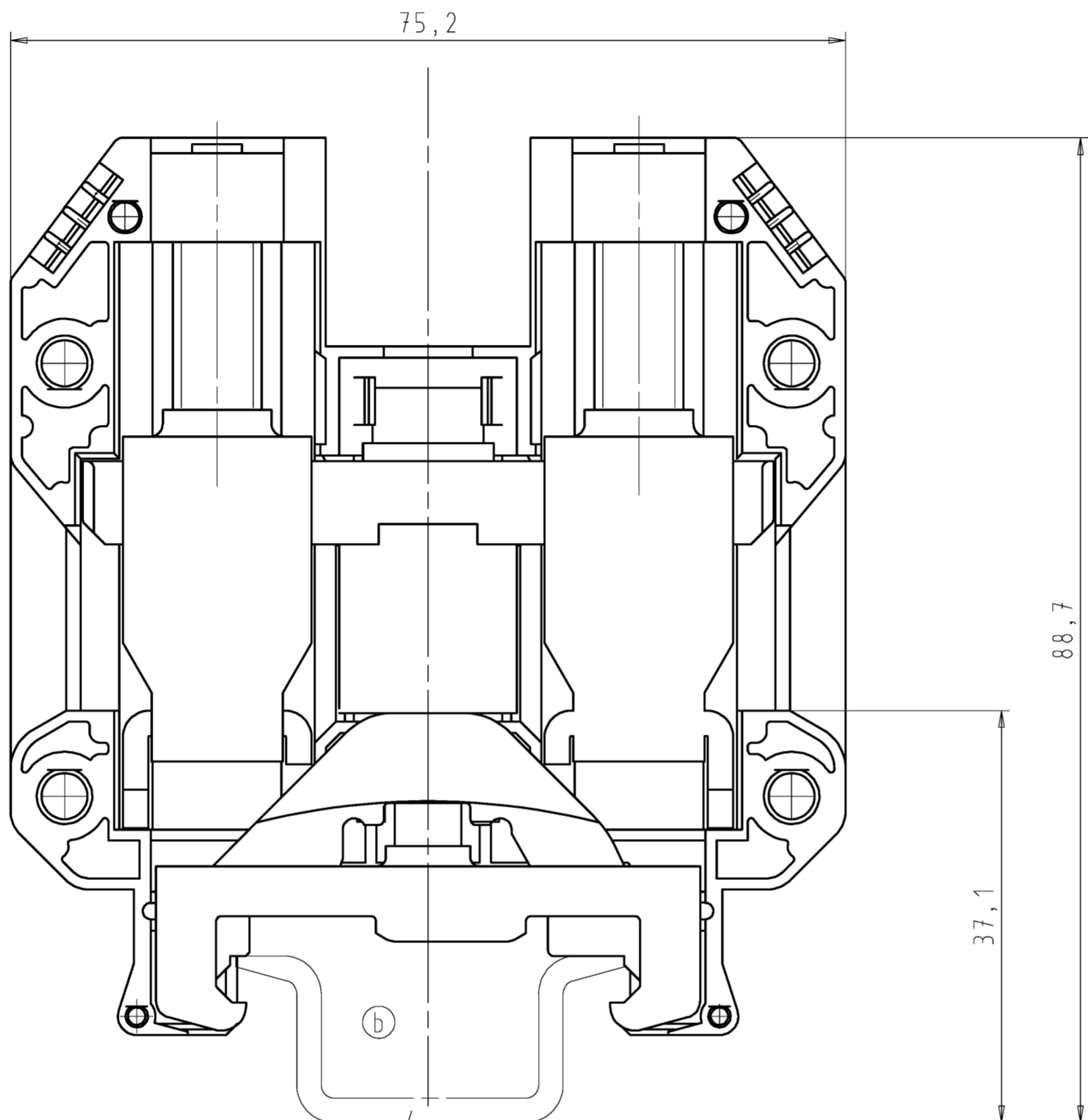
ECLASS 11	
ECLASS 8.1	27141141
ETIM 7.0	EC000901
ETIM 6.0	EC000901
ETIM 5.0	EC000901
ETIM 4.0	EC000901
ETIM 3.0	EC000901

Product compliance

ROHS conformity status	Compliant/Exempted
ROHS exceptions	III-6(c)
REACH-SVHC conformity status	Duty-To-Declare
REACH-SVHC substances	Lead
REACH-SVHC CAS numbers	7439-92-1

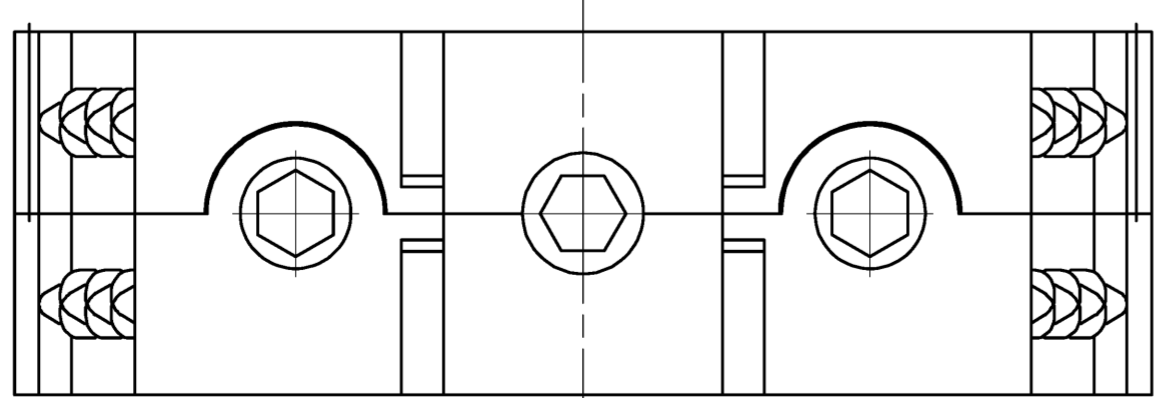
Accessories

Commercial Art.No.:	Article-type description:	Description:
98.300.0000.0	Mounting rail TS 35x7,5 UNPERF - l:2000mm	Mounting rail TS 35, unslotted, size 7,5 mm, length 2 m, material steel. galv. zinc-plated and dichromated
98.370.0000.0	Mounting rail TS 35x15 UNPERF - l:2000mm	Mounting rail TS 35, unslotted, size 15 mm, length 2 m, material steel. galv. zinc-plated and dichromated
98.370.1000.0	Mounting rail TS 35x15 PERF 15mm - l:2000mm	Mounting rail TS 35, slotted, size 15 mm, length 2 m, material steel. galv. zinc-plated and dichromated



Hutschiene EN 60715 Cu -35x15
mounting rail EN 60715 Cu -35x15

Weitere Daten siehe Katalog
further data see catalog



Teilenummer part number	Typ type
57.570.9055.0	WKN 70 SL

Tolerierung nach DIN 7167/Tolerance system acc. to DIN 7167. (This DIN-standard describes the envelope principle. According to the envelope principle the deviations of form and parallelism are limited by the size tolerances).		ja/yes <input checked="" type="checkbox"/> Stoffverbot/- und Deklarationsliste nach UJ-TQM-05/03 ist einzuhalten. Conformity with Wieland document UJ-TQM-05/03 (list of prohibited / declarable hazardous substances) to be declared!	
Freitoleranz nach General tolerance	-	CAD - Zeichnung, keine manuellen Änderungen CAD - drawing, no manual modifications allowed	1. Verwendung: First Use: -
Blatt: Sheet:	1 of 1	Zeichnung Nr./Drawing No. 57.570.9055.0 01K b	
Werkstoff/Material	2004	Tag/Date	Name
gezeichnet drawn		29.11.	Schmitt J.
geprüft checked	-	-	-
Nenngr. Stand. check	-	-	-
Vol.	mm ³ Offl./Surf.	mm ³	Ersatz für/Replacement for: -
b	02.06.2015/	Type	Benennung/Title
a	28.07.2008/	Typ	SCHUTZLEITERKLEMME
Index	Datum / Blatt Date / Sheet	Elektrische Verbindungen	earth terminal
Änderung/Revision		Wieland	

Weitergabe sowie Vervielfältigung dieses Dokuments, Verwertung und Mitteilung seines Inhalts sind verboten, soweit nicht ausdrücklich gestattet. Die Reproduktion, Verbreitung und Nutzung dieses Dokuments ist ohne schriftliche Genehmigung der Wieland-Werke AG.

These dimensions will be especially checked at delivery
Only inspection dimensions
With /E marked dimensions are only valid for internal use

Diese Maße werden bei Abnahme besonders geprüft
Ausschließlich Prüfmaße
Mit /E gekennzeichnete Maße sind nur für interne Zwecke gültig

A
1
2
3
4
5
6
7
8
9
10
11
12
13
14
15
16
17
18
19
20
M1
M2
M3
L
G
i
11.1
12.1
1.1