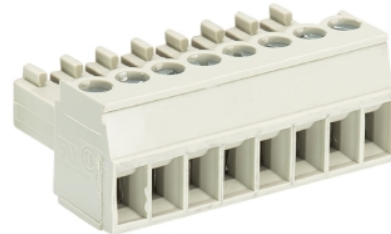


Data sheet

Commercial Art.No.: 25.640.3253.0

PCB connector 8513 B / 2 OB

PCB female connector with screw connection with rising cage clamp system, 2 poles, max. cross section: 1.5 mm², pitch: 3.5 mm, type of packing: carton, color: grey



Commercial Art.No.	25.640.3253.0
EAN	4015573508712
Order Unit	100

Certificates / Approvals



Technical data

General

Modular spacing	3.5 mm
Connection type	screw connection
Soldering process	None
Packaging	Carton
Number of poles	2
Marking	No
Fastening	None
Mating direction towards connector	180°

Technical data

Nominal cross section	1.5 mm ²
Rated current	8 A
Overvoltage Category I	690 V
Overvoltage Category II	250 V
Overvoltage Category III	125
Rated impulse voltage	2.5 kV
Wire strip length	6.5 mm

Connection Data

Minimum cross section solid	0.14 mm ²
Maximum cross section solid	1.5 mm ²
Minimum cross section fine stranded	0.14 mm ²
Maximum cross section fine stranded	1.5 mm ²
Wire strip length	6.5 mm

Technical Data UL/CSA

Cross section UL	30-16 AWG
------------------	-----------

Voltage UL	300 V
Current field wiring	8 A
Current factory wiring	8 A
Cross section CSA	22-14 AWG
Voltage CSA	300 V
Current CSA	5 A

Other

Type of insulation material	Thermoplastic
Color	Grey
Height	11.1 mm
Length	7 mm
Depth	15.5 mm
Material attachment screw	Steel
Material contact base	CuSn
Material contact surface	Sn

Classification

ECLASS 11	
ECLASS 8.1	27440402
ETIM 7.0	EC002637
ETIM 6.0	EC002637
ETIM 5.0	EC002637
ETIM 4.0	EC002637

Product compliance

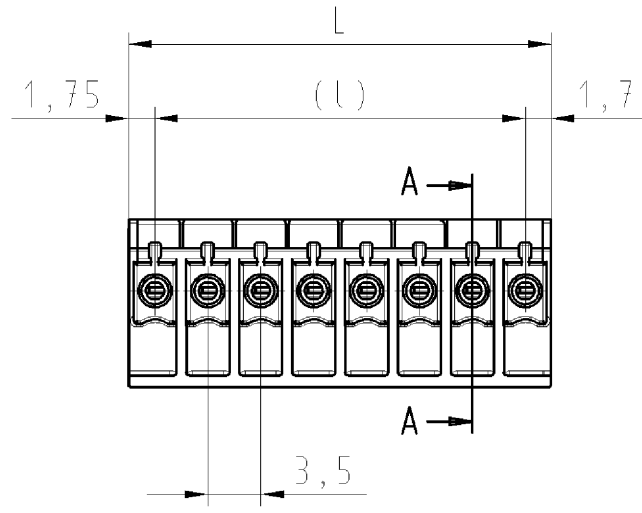
ROHS conformity status	Compliant/Exempted
ROHS exceptions	III-6(c)
REACH-SVHC conformity status	Duty-To-Declare
REACH-SVHC substances	Lead
REACH-SVHC CAS numbers	7439-92-1

Fits with

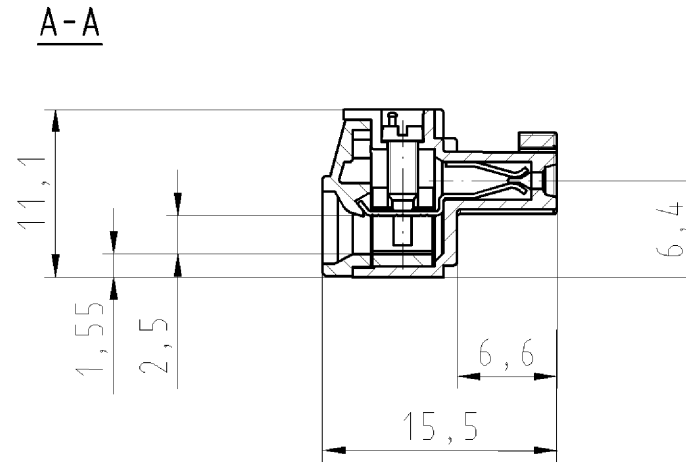
Commercial Art.No.:	Article-type description:	Description:
25.646.0253.0	PCB pin header 8513 S / 2 G OB	PCB pin header with pin header, connection method depends on used socket part , 2 poles, pitch: 3.5 mm, type of packing: carton, color: grey
25.648.3253.0	PCB pin header 8513 / 2 SU OB	PCB pin header with screw connection with rising cage clamp system, 2 poles, max. cross section: 1.5 mm ² , pitch: 3.5 mm, type of packing: carton, color: grey
25.647.0253.0	PCB pin header 8513 S / 2 W OB	PCB pin header with pin header, connection method depends on used socket part , 2 poles, pitch: 3.5 mm, type of packing: carton, color: grey
25.647.0206.0	PCB pin header 8513 S / 2 W OB THR	PCB pin header with pin header, connection method depends on used socket part , 2 poles, with solder pin (2.6mm, tin plated), pitch: 3.5 mm, type of packing: carton, color: black, This product can be soldered by reflow and wave soldering,
27.647.0253.1	PCB pin header 8513 SEG/ 2/ 4 W OB	PCB pin header, 4 poles, pitch: 3.5 mm, type of packing: carton, color:black

25.646.0208.0	PCB pin header 8513 S / 2 G OB THR	PCB pin header with pin header, connection method depends on used socket part , 2 poles, with solder pin (1.5mm, tin plated), pitch: 3.5 mm, type of packing: carton, color: black, This product can be soldered by reflow and wave soldering,
25.647.0208.0	PCB pin header 8513 S / 2 W OB THR	PCB pin header with pin header, connection method depends on used socket part , 2 poles, with solder pin (1.5mm, tin plated), pitch: 3.5 mm, type of packing: carton, color: grey, This product can be soldered by reflow and wave soldering,
25.646.0206.0	PCB pin header 8513 S / 2 G OB THR	PCB pin header with pin header, connection method depends on used socket part , 2 poles, with solder pin (2.6mm, tin plated), pitch: 3.5 mm, type of packing: carton, color: black, This product can be soldered by reflow and wave soldering,

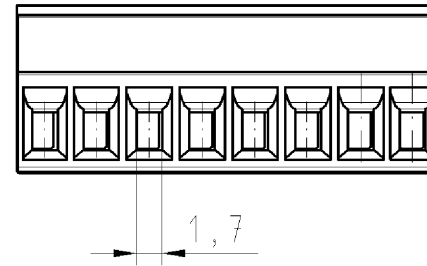
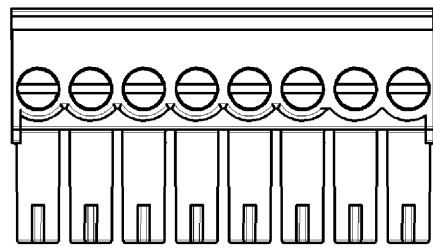
Ab 7-polige Ausführung ohne Bremsfläche
 8-polige Ausführung gezeichnet ^(b)
 no ribs drawn on the outer surface of the first and last pole form 7 pole version
 8pole version drawn



"X" →



Ansicht "X"

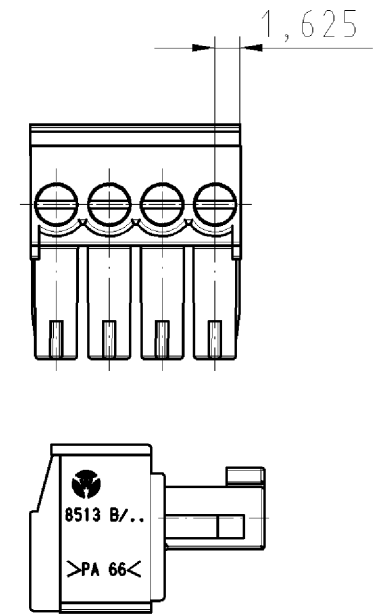


Artikel-Nr. part-no.	Pol- zahl pole	(L)	l	Typ type
25.640.3253.F	2	7.0	3.5	8513 B/ 2 OB..
25.640.3353.F	3	10.5	7.0	8513 B/ 3 OB..
25.640.3453.F	4	14.0	10.5	8513 B/ 4 OB..
25.640.3553.F	5	17.5	14.0	8513 B/ 5 OB..
25.640.3653.F	6	21.0	17.5	8513 B/ 6 OB..
25.640.3753.F	7	24.5	21.0	8513 B/ 7 OB..
25.640.3853.F	8	28.0	24.5	8513 B/ 8 OB..
25.640.3953.F	9	31.5	28.0	8513 B/ 9 OB..
25.640.4053.F	10	35.0	31.5	8513 B/ 10 OB..
25.640.4153.F	11	38.5	35.0	8513 B/ 11 OB..
25.640.4253.F	12	42.0	38.5	8513 B/ 12 OB..
25.640.4353.F	13	45.5	42.0	8513 B/ 13 OB..
25.640.4453.F	14	49.0	45.5	8513 B/ 14 OB..
25.640.4553.F	15	52.5	49.0	8513 B/ 15 OB..
25.640.4653.F	16	56.0	52.5	8513 B/ 16 OB..
25.640.4753.F	17	59.5	56.0	8513 B/ 17 OB..
25.640.4853.F	18	63.0	59.5	8513 B/ 18 OB..
25.640.4953.F	19	66.5	63.0	8513 B/ 19 OB..
25.640.5053.F	20	70.0	66.5	8513 B/ 20 OB..

.F	Farbe color
.0	grau/grey
.1	schwarz/black
.7	grün/green

Freitoleranz nach DIN		CAD - Zeichnung, keine manuellen Änderungen		1. Verwendung: -		Bl.: 1 von 1		
	/	Maßstab	Werkstoff und Oberfläche:	2004	Tag	Name	T	
	/	2:1		Entworfen	13.05.	Schmitt J.		Zeichnung Nr. 25.640.3253.0 01K b
	/			Geprüft	-	-		
	/			Normgepr.	-	-	Ersatz für: -	
b	03.03.2006/	 wieland Elektrische Verbindungen		Typ		Benennung		
a	15.04.2005/			8513 B/ 2-20 OB		LP_STECKKLEMME mit Steck-u. Schraubanschluss, Rastermaß/pitch:3,5mm pluggable PCB terminal, rising cage clamp system		
Buchstabe Datum / Blatt		Änderung						

4-polige Ausführung gezeichnet
 4 pole version drawn



Bei 2-6polige
 (25.640.3253.F, 25.640.3353.F,
 25.640.3453.F, 25.640.3553.F
 25.640.3653.F)
 mit Bremsflächen an den Außenflächen
 am ersten und letzten Pol

2-6pole
 (25.640.3253.F, 25.640.3353.F,
 25.640.3453.F, 25.640.3553.F
 25.640.3653.F)
 version with ribs on teh outer
 surface of the first and last pole

Weitere Daten siehe Katalog
 further data see catalog

○ Diese Maße werden bei Abnahme besonders geprüft
 ○ Ausschließlich Prüfmaße
 ○ Mit /E gekennzeichnete Maße sind nur für interne Zwecke gültig

Weitergabe sowie Vervielfältigung dieses Dokuments, Verwertung und Mitteilung seines Inhalts sind verboten, soweit nicht ausdrücklich gestattet. The reproduction, distribution and utilization of this document as well as the communication of its contents to others without express authorization is prohibited.
 256403253001K_4_CADW1019_Kneiz 2006-03-03T14:26:05 1.000