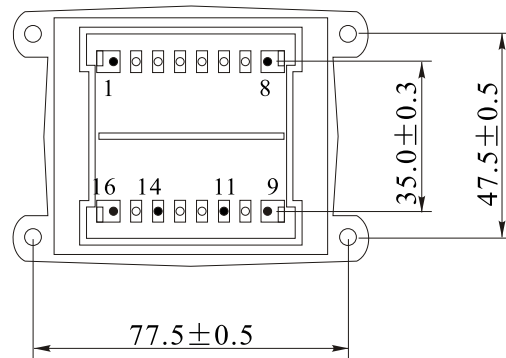
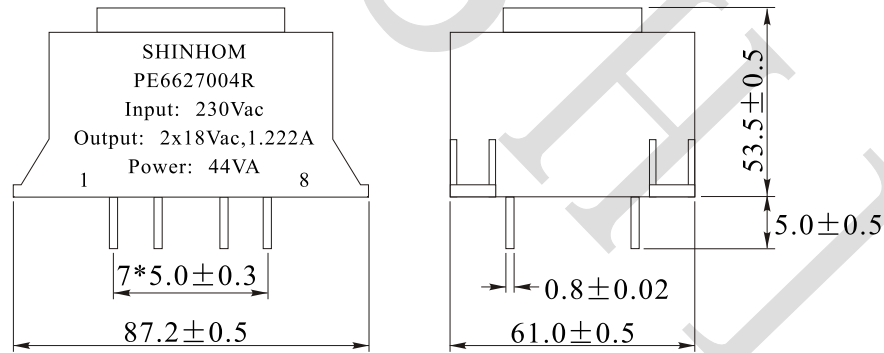
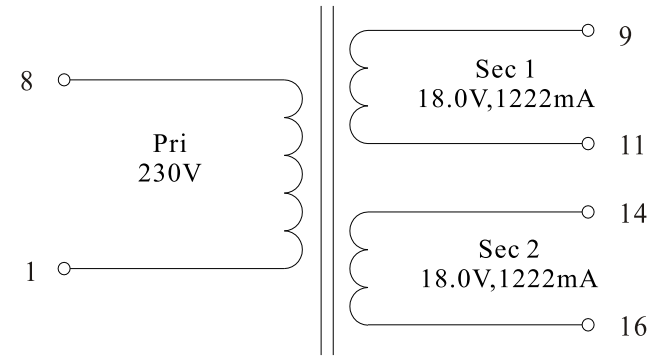


| Rev. | Description | Date       |
|------|-------------|------------|
| A0   | New release | 2022.09.21 |
|      |             |            |
|      |             |            |

### 1. PHYSICAL CHARACTERISTICS (mm)



### 2. ELECTRONICAL SCHEMATIC



### 3. ELECTRONICAL SPECIFICATIONS

Input voltage: 230V  
 Sec load voltage: 2x18.0V@1222mA  
 Noload voltage: 2x20.2V  
 Power: 44VA  
 Hi-Pot: 3500V, 50Hz, 5mA, 3S  
 Storage temperature: -60°C to +70°C  
 Operating temperature: -40°C to +60°C

#### NOTES:

Temp 20°C 48%RH  
 RoHS Compliant

|               |                    |            |            |
|---------------|--------------------|------------|------------|
| NAME:         | Power transformers |            |            |
| CUSTOMER P/N: | BV EI 663 1110     | DATE:      | 2022-09-21 |
| SHINHOM P/N:  | PE6627004R         | REV: A0    | PAGE       |
| DRAWN BY      | CHECKED BY         | APPROVE BY |            |