

## Data sheet

Commercial Art.No.: 70.301.1040.0

Female insert BAS BUS 10 2,5 50 AU

Female insert revos basic, 10-poles, rated current: 16A, rated voltage:500V, with gold-plated contacts



Commercial Art.No.	70.301.1040.0
EAN	4015573219687
Order Unit	10

Certificates / Approvals



## Technical data

### General

Model	Female insert
Inflammability class of insulation material acc. with UL94	V0
Color	Grey
Mating cycles	500
Pollution degree	3
Modular version	No
Operating temperature range min.	-40 °C
Operating temperature range max.	120 °C

### Connection Data

Connection type	screw connection
Number of poles	10
Plus switching contacts	0
Number of pole for rated current 2	0
Number of pole for rated current 3	0
Total number of poles (without ground contact)	10
With wire protection	yes
Min. conductor diameter rigid (solid/stranded)	0.5 mm <sup>2</sup>
Max. conductor diameter rigid (solid/stranded)	2.5 mm <sup>2</sup>
Protective contact	yes

### Technical Data UL/CSA

Rated voltage according to UL/CSA	600 V
Rated current according UL	16 A
Rated current according CSA	16 A
Min. conductor cross section flexible wire	0.5 mm <sup>2</sup>

Max. conductor cross section flexible wire	2.5 mm <sup>2</sup>
Conductor cross section flexible AWG wire	22-14 AWG

#### Model

With housing	No
--------------	----

#### Contacts

Contact material	Copper alloy
Surface	Gilt
Contact resistance	≤ 1.5 mOhm
Wire strip length	7 mm

#### Screws head design/recomm. Torque

Mounting screws	H1/0.5-0.7 Nm
Clamping screws	H1/0.5-0.7 Nm
Ground conductor screws	H2/1.2-1.6 Nm

#### Technical Data DIN EN 61984

Nominal voltage	500 V
Rated voltage face/ground	500 V
Nominal current	16 A
Rated impulse voltage	6 kV

#### Classification

ECLASS 11	
ECLASS 8.1	27440205
ETIM 7.0	EC000438
ETIM 6.0	EC000438
ETIM 5.0	EC000438
ETIM 4.0	EC000438

#### Product compliance

ROHS conformity status	Compliant/Exempted
ROHS exceptions	III-6(c)
REACH-SVHC conformity status	Duty-To-Declare
REACH-SVHC substances	Lead
REACH-SVHC CAS numbers	7439-92-1

#### Fits with

Commercial Art.No.:	Article-type description:	Description:
70.950.1053.3	Multipole adapter set BAS GAZSHLS10 4,0 50	Multipole adapter revos BASIC 500V/16A with base, screw connection 10 pole + ground, long design, male insert, ground left, double locking lever
70.310.1040.0	Male insert BAS STS 10 2,5 50	Male insert revos basic, 10-poles, rated current: 16A, rated voltage: 500V, with tin-plated contacts
70.311.1040.0	Male insert BAS STS 10 2,5 50 AU	Male insert revos basic, 10-poles, rated current: 16A, rated voltage: 500V, with gold-plated contacts

70.312.1640.0	Male insert BAS STS OD 16 2,5 50	Male insert revos basic, 16-poles, rated current: 16A, rated voltage: 500V, with tin-plated contacts
70.510.1053.0	Male insert BAS STF 10 2,5 50	Male insert revos basic, 10-poles, rated current: 16A, rated voltage: 500V, with tin-plated contacts
70.512.1053.0	Male insert BAS STM 10 2,5 50 AG	Male insert revos basic, 10-poles, rated current: 16A, rated voltage: 500V, with silver-plated contacts
70.710.1058.0	Male insert BAS STC 10 50	Male insert revos basic, 10-poles, rated current: 16A, rated voltage: 500V, with tin-plated contacts
71.350.1035.0	Hood BAS GOT GG 10 M20 A0	Hood revos basic made of aluminum, for single locking lever with cable gland M20 on the right side (IP54), low version, 10-poles
71.350.1035.1	Hood BAS GOT GG 10 M20 A1	Hood revos basic made of aluminum, for single locking lever with threaded hole M20 on the right side, low version, 10-poles
71.350.1035.2	Hood BAS GOT GG 10 M20 A2	Hood revos basic made of aluminum, for single locking lever with nozzleM20 on the right side, low version, 10-poles
71.350.1035.3	Hood BAS GOT GG 10 M20 A3	Hood revos basic made of aluminum, for single locking lever with trumpet gland M20 on the right side (IP54), low version, 10-poles
71.352.1035.0	Hood BAS GOT GI 10 M20 A0	Hood revos basic made of aluminum, for single locking lever with cable gland M20 on the top (IP54), low version, 10-poles
71.352.1035.1	Hood BAS GOT GI 10 M20 A1	Hood revos basic made of aluminum, for single locking lever with threaded hole M20 on the top, low version, 10-poles
71.352.1035.2	Hood BAS GOT GI 10 M20 A2	Hood revos basic made of aluminum, for single locking lever with nozzleM20 on the top, low version, 10-poles
71.352.1035.3	Hood BAS GOT GI 10 M20 A3	Hood revos basic made of aluminum, for single locking lever with trumpet gland M20 on the top (IP54), low version, 10-poles
71.353.1035.0	Hood BAS GOT GG 10 M25 A0	Hood revos basic made of aluminum, for single locking lever with cable gland M25 on the right side (IP54), low version, 10-poles
71.353.1035.1	Hood BAS GOT GG 10 M25 A1	Hood revos basic made of aluminum, for single locking lever with threaded hole M25 on the right side, low version, 10-poles
71.353.1035.3	Hood BAS GOT GG 10 M25 A3	Hood revos basic made of aluminum, for single locking lever with trumpet gland M25 on the right side (IP54), low version, 10-poles
71.354.1035.0	Hood BAS GOT GI 10 M25 A1	Hood revos basic made of aluminum, for single locking lever with threaded hole M25 on the top, low version, 10-poles
71.354.1035.1	Hood BAS GOT GI 10 M25 A2	Hood revos basic made of aluminum, for single locking lever with nozzleM25 on the top, low version, 10-poles
71.354.1035.3	Hood BAS GOT GI 10 M25 A5	Hood revos basic made of aluminum, for single locking lever with cable gland M25 on the top (IP65), low version, 10-poles
71.372.1035.0	Hood BAS GOT GL 10 M20 A0	Hood revos basic made of aluminum, with single locking lever and cable gland M20 on the top - free cable connection (IP54), low version, 10-poles
71.372.1035.1	Hood BAS GOT GL 10 M20 A1	Hood revos basic made of aluminum, with single locking lever and threaded hole M20 on the top - free cable connection, low version, 10-poles
71.372.1035.3	Hood BAS GOT GL 10 M20 A3	Hood revos basic made of aluminum, with single locking lever and trumpet gland M20 on the top - free cable connection (IP54), low version, 10-poles
71.450.1037.1	Hood BAS GOM GG10 M20 B1	Hood revos basic metal-series without coating, for single locking lever with threaded hole M20 on the right side, low version, 10-poles
71.452.1037.1	Hood BAS GOM GI10 M20 B1	Hood revos basic metal-series without coating, for single locking lever with threaded hole M20 on the top, low version, 10-poles
76.350.1035.0	Hood BAS GOT GG 10HM25 50 A0	Hood revos basic made of aluminum, for single locking lever with cable gland M25 on the right side (IP54), low version, 10-poles
76.350.1035.1	Hood BAS GOT GG 10HM25 50 A1	Hood revos basic made of aluminum, for single locking lever with threaded hole M25 on the right side, low version, 10-poles
76.351.1035.0	Hood BAS GOT GH 10H M20 A0	Hood revos basic made of aluminum, for single locking lever with cable gland M20 on the front (IP54), low version, 10-poles

76.351.1035.1	Hood BAS GOT GH 10H M20 A1	Hood revos basic made of aluminum, for single locking lever with threaded hole M20 on the front, low version, 10-poles
76.351.1035.3	Hood BAS GOT GH 10H M20 A3	Hood revos basic made of aluminum, for single locking lever with trumpet gland M20 on the front (IP54), low version, 10-poles
76.352.1035.0	Hood BAS GOT GI 10HM25 50 A0	Hood revos basic made of aluminum, for single locking lever with cable gland M25 on the top (IP54), low version, 10-poles
76.352.1035.1	Hood BAS GOT GI 10HM25 50 A1	Hood revos basic made of aluminum, for single locking lever with threaded hole M25 on the top, low version, 10-poles
76.353.1035.0	Hood BAS GOT GG 10HM32 50 A0	Hood revos basic made of aluminum, for single locking lever with cable gland M32 on the right side (IP54), low version, 10-poles
76.353.1035.1	Hood BAS GOT GG 10HM32 50 A1	Hood revos basic made of aluminum, for single locking lever with threaded hole M32 on the right side, low version, 10-poles
76.353.1035.2	Hood BAS GOT GG 10HM32 50 A2	Hood revos basic made of aluminum, for single locking lever with nozzleM32 on the right side, low version, 10-poles
76.354.1035.0	Hood BAS GOT GI 10HM32 50 A0	Hood revos basic made of aluminum, for single locking lever with cable gland M32 on the top (IP54), low version, 10-poles
76.354.1035.1	Hood BAS GOT GI 10HM32 50 A1	Hood revos basic made of aluminum, for single locking lever with threaded hole M32 on the top, low version, 10-poles
76.354.1035.2	Hood BAS GOT GI 10HM32 50 A2	Hood revos basic made of aluminum, for single locking lever with nozzleM32 on the top, low version, 10-poles
71.320.1028.0	Bottom BAS GUT GK 10 A	Bottom-base revos basic made of aluminum, with single locking lever, open, low version, 10-poles
71.325.1028.0	Bottom BAS GUT GP 10 A	Bottom-base revos basic made of aluminum, with single locking lever, open, low version, 10-poles
71.330.1035.0	Bottom BAS GUT GL 10 M20 A0	Bottom-base revos basic made of aluminum, with single locking lever andcable gland M20 on the right and left side (IP54), low version, 10-polig
71.330.1035.1	Bottom BAS GUT GL 10 M20 A1	Bottom-base revos basic made of aluminum, with single locking lever andthreaded hole M20 on the right and left side, low version, 10-polig
71.331.1035.0	Bottom BAS GUT GM 10 M20 A0	Bottom-base revos basic made of aluminum, with single locking lever andcable gland M20 on the left side (IP54), low version, 10-polig
71.331.1035.1	Bottom BAS GUT GM 10 M20 A1	Bottom-base revos basic made of aluminum, with single locking lever andthreaded hole M20 on the left side, low version, 10-polig
71.333.1035.0	Bottom BAS GUT GO 10 M20 A0	Bottom-base revos basic made of aluminum, with single locking lever andcable gland M20 on the bottom (IP54), low version, 10-polig
71.333.1035.1	Bottom BAS GUT GO 10 M20 A1	Bottom-base revos basic made of aluminum, with single locking lever andthreaded hole M20 on the bottom, low version, 10-polig
71.335.1035.0	Bottom BAS GUT GM 10 M25 A0	Bottom-base revos basic made of aluminum, with single locking lever andcable gland M25 on the left side (IP54), low version, 10-polig
71.335.1035.1	Bottom BAS GUT GM 10 M25 A1	Bottom-base revos basic made of aluminum, with single locking lever andthreaded hole M25 on the left side, low version, 10-polig
71.340.1035.0	Bottom BAS GUT GR 10 M20 A0	Bottom-base revos basic made of aluminum, with single locking lever andcable gland M20 on the right and the left side, with protective cover (IP54), low version, 10-polig
71.340.1035.1	Bottom BAS GUT GR 10 M20 A1	Bottom-base revos basic made of aluminum, with single locking lever andthreaded hole M20 on the right and the left side, with protective cover, low version, 10-polig
71.341.1035.0	Bottom BAS GUT GS 10 M20 A0	Bottom-base revos basic made of aluminum, with single locking lever andcable gland M20 on the left side, with protective cover (IP54), low version, 10-polig
71.341.1035.1	Bottom BAS GUT GS 10 M20 A1	Bottom-base revos basic made of aluminum, with single locking lever andthreaded hole M20 on the left side, with protective cover, low version, 10-polig
71.342.1035.0	Bottom BAS GUT GT 10 M20 A0	Bottom-base revos basic made of aluminum, with single locking lever andcable gland M20 on the right side, with protective cover (IP54), low version, 10-polig

71.342.1035.1	Bottom BAS GUT GT 10 M20 A1	Bottom-base revos basic made of aluminum, with single locking lever and threaded hole M20 on the right side, with protective cover, low version, 10-polig
71.343.1035.0	Bottom BAS GUT GU 10 M20 A0	Bottom-base revos basic made of aluminum, with single locking lever and cable gland M20 on the bottom, with protective cover (IP54), low version, 10-polig
71.343.1035.1	Bottom BAS GUT GU 10 M20 A1	Bottom-base revos basic made of aluminum, with single locking lever and threaded hole M20 on the bottom, with protective cover, low version, 10-polig
71.420.1037.0	Bottom BAS GUM GK 10 B	Bottom-base revos basic metal-series without coating, open, low version, 10-poles
71.425.1037.0	Bottom BAS GUM GP 10 B	Bottom-base revos basic metal-series without coating, with single locking lever and protective cover, low version, 10-poles
71.430.1037.1	Bottom BAS GUM GL 10 M20 B1	Bottom-base revos basic metal-series without coating, with single locking lever and threaded hole M20 on the right and left side, low version, 10-polig
71.431.1037.1	Bottom BAS GUM GM 10 M20 B1	Bottom-base revos basic metal-series without coating, with single locking lever and threaded hole M20 on the left side, low version, 10-polig
71.440.1037.1	Bottom BAS GUM GR 10 M20 B1	Bottom-base revos basic metal-series without coating, with single locking lever and threaded hole M20 on the right and the left side, with protective cover, low version, 10-polig
71.441.1037.1	Bottom BAS GUM GS 10 M20 B1	Bottom-base revos basic metal-series without coating, with single locking lever and threaded hole M20 on the left side, with protective cover, low version, 10-polig
76.330.1035.0	Bottom BAS GUT GL 10HM25 50 A0	Bottom-base revos basic made of aluminum, with single locking lever and cable gland M25 on the right and left side (IP54), low version, 10-polig
76.330.1035.1	Bottom BAS GUT GL 10HM25 50 A1	Bottom-base revos basic made of aluminum, with single locking lever and threaded hole M25 on the right and left side, low version, 10-polig
76.331.1035.0	Bottom BAS GUT GM 10HM25 50 A0	Bottom-base revos basic made of aluminum, with single locking lever and cable gland M25 on the left side (IP54), low version, 10-polig
76.331.1035.1	Bottom BAS GUT GM 10HM25 50 A1	Bottom-base revos basic made of aluminum, with single locking lever and threaded hole M25 on the left side, low version, 10-polig
76.334.1035.0	Bottom BAS GUT GL 10HM32 50 A0	Bottom-base revos basic made of aluminum, with single locking lever and cable gland M32 on the right and left side (IP54), low version, 10-polig
76.334.1035.1	Bottom BAS GUT GL 10HM32 50 A1	Bottom-base revos basic made of aluminum, with single locking lever and threaded hole M32 on the right and left side, low version, 10-polig
76.335.1035.1	Bottom BAS GUT GM 10HM32 50 A1	Bottom-base revos basic made of aluminum, with single locking lever and threaded hole M32 on the left side, low version, 10-polig
76.340.1035.0	Bottom BAS GUT GR 10HM25 50 A0	Bottom-base revos basic made of aluminum, with single locking lever and cable gland M25 on the right and the left side, with protective cover (IP54), low version, 10-polig
76.340.1035.1	Bottom BAS GUT GR 10HM25 50 A1	Bottom-base revos basic made of aluminum, with single locking lever and threaded hole M25 on the right and the left side, with protective cover, low version, 10-polig
76.341.1035.0	Bottom BAS GUT GS 10HM25 50 A0	Bottom-base revos basic made of aluminum, with single locking lever and cable gland M25 on the left side, with protective cover (IP54), low version, 10-polig
76.341.1035.1	Bottom BAS GUT GS 10HM25 50 A1	Bottom-base revos basic made of aluminum, with single locking lever and threaded hole M25 on the left side, with protective cover, low version, 10-polig
76.342.1035.0	Bottom BAS GUT GT 10HM25 50 A0	Bottom-base revos basic made of aluminum, with single locking lever and cable gland M25 on the right side, with protective cover (IP54), low version, 10-polig

76.342.1035.1	Bottom BAS GUT GM 10HM25 50 A1	Bottom-base revos basic made of aluminum, with single locking lever and threaded hole M25 on the left side, low version, 10-pole
76.344.1035.0	Bottom BAS GUT GR 10HM32 50 A0	Bottom-base revos basic made of aluminum, with single locking lever and cable gland M32 on the right and the left side, with protective cover (IP54), low version, 10-pole
76.344.1035.1	Bottom BAS GUT GR 10HM32 50 A1	Bottom-base revos basic made of aluminum, with single locking lever and threaded hole M32 on the right and the left side, with protective cover, low version, 10-pole
76.345.1035.1	Bottom BAS GUT GS 10HM32 50 A1	Bottom-base revos basic made of aluminum, with single locking lever and threaded hole M32 on the left side, with protective cover, low version, 10-pole
76.346.1035.1	Bottom BAS GUT GT 10HM32 50 A1	Bottom-base revos basic made of aluminum, with single locking lever and threaded hole M32 on the right side, with protective cover, low version, 10-pole
70.350.1035.0	Hood BAS GOT GA 10 M20 A0	Hood revos basic made of aluminum, for double locking lever or screw cap with cable gland M20 on the right side (IP54), low version, 10-poles
70.350.1035.1	Hood BAS GOT GA 10 M20 A1	Hood revos basic made of aluminum, for double locking lever or screw cap with threaded hole M20 on the right side, low version, 10-poles
70.350.1035.2	Hood BAS GOT GA 10 M20 A2	Hood revos basic made of aluminum, for double locking lever or screw cap with nozzle M20 on the right side, low version, 10-poles
70.350.1035.3	Hood BAS GOT GA 10 M20 A3	Hood revos basic made of aluminum, for double locking lever or screw cap with trumpet gland M20 on the right side (IP54), low version, 10-poles
70.352.1035.0	Hood BAS GOT GC 10 M20 A0	Hood revos basic made of aluminum, for double locking lever or screw cap with cable gland M20 on the top (IP54), low version, 10-poles
70.352.1035.1	Hood BAS GOT GC 10 M20 A1	Hood revos basic made of aluminum, for double locking lever or screw cap with threaded hole M20 on the top, low version, 10-poles
70.352.1035.2	Hood BAS GOT GC 10 M20 A2	Hood revos basic made of aluminum, for double locking lever or screw cap with nozzle M20 on the top, low version, 10-poles
70.352.1035.3	Hood BAS GOT GC 10 M20 A3	Hood revos basic made of aluminum, for double locking lever or screw cap with trumpet gland M20 on the top (IP54), low version, 10-poles
70.353.1035.0	Hood BAS GOT GA 10 M25 A0	Hood revos basic made of aluminum, for double locking lever or screw cap with cable gland M25 on the right side (IP54), low version, 10-poles
70.353.1035.1	Hood BAS GOT GA 10 M25 A1	Hood revos basic made of aluminum, for double locking lever or screw cap with threaded hole M25 on the right side, low version, 10-poles
70.353.1035.2	Hood BAS GOT GA 10 M25 A2	Hood revos basic made of aluminum, for double locking lever or screw cap with nozzle M25 on the right side, low version, 10-poles
70.353.1035.3	Hood BAS GOT GA 10 M25 A3	Hood revos basic made of aluminum, for double locking lever or screw cap with trumpet gland M25 on the right side (IP54), low version, 10-poles
70.354.1035.0	Hood BAS GOT GC 10 M25 A0	Hood revos basic made of aluminum, for double locking lever or screw cap with cable gland M25 on the top (IP54), low version, 10-poles
70.354.1035.1	Hood BAS GOT GC 10 M25 A1	Hood revos basic made of aluminum, for double locking lever or screw cap with threaded hole M25 on the top, low version, 10-poles
70.354.1035.2	Hood BAS GOT GC 10 M25 A2	Hood revos basic made of aluminum, for double locking lever or screw cap with nozzle M25 on the top, low version, 10-poles
70.354.1035.3	Hood BAS GOT GC 10 M25 A3	Hood revos basic made of aluminum, for double locking lever or screw cap with trumpet gland M25 on the top (IP54), low version, 10-poles



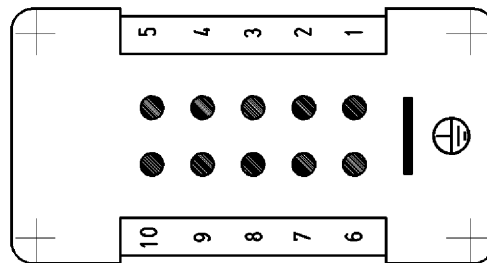
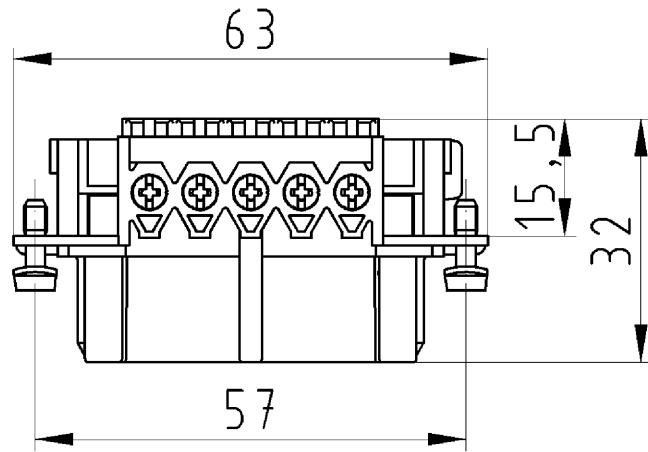
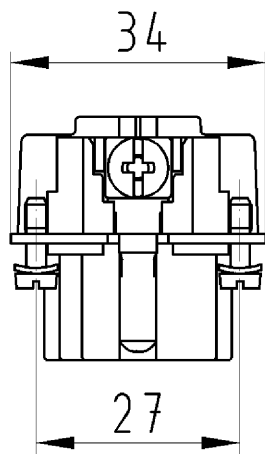
70.355.1035.0	Hood BAS GOT GD 10 M20 A0	Hood revos basic made of aluminum, with double locking lever and cable gland M20 on the right side (IP54), low version, 10-poles
70.355.1035.1	Hood BAS GOT GD 10 M20 A1	Hood revos basic made of aluminum, with double locking lever and threaded hole M20 on the right side, low version, 10-poles
70.355.1035.2	Hood BAS GOT GD 10 M20 A2	Hood revos basic made of aluminum, with double locking lever and nozzleM20 on the right side, low version, 10-poles
70.355.1035.3	Hood BAS GOT GD 10 M20 A3	Hood revos basic made of aluminum, with double locking lever and trumpet gland M20 on the right side (IP54), low version, 10-poles
70.357.1035.0	Hood BAS GOT GF 10 M20 A0	Hood revos basic made of aluminum, with double locking lever and cable gland M20 on the top (IP54), low version, 10-poles
70.357.1035.1	Hood BAS GOT GF 10 M20 A1	Hood revos basic made of aluminum, with double locking lever and threaded hole M20 on the top, low version, 10-poles
70.357.1035.3	Hood BAS GOT GF 10 M20 A3	Hood revos basic made of aluminum, with double locking lever and trumpet gland M20 on the top (IP54), low version, 10-poles
70.358.1035.0	Hood BAS GOT GD 10 M25 A0	Hood revos basic made of aluminum, with double locking lever and cable gland M25 on the right side (IP54), low version, 10-poles
70.358.1035.1	Hood BAS GOT GD 10 M25 A1	Hood revos basic made of aluminum, with double locking lever and threaded hole M25 on the right side, low version, 10-poles
70.358.1035.3	Hood BAS GOT GD 10 M25 A3	Hood revos basic made of aluminum, with double locking lever and trumpet gland M25 on the right side (IP54), low version, 10-poles
70.359.1035.0	Hood BAS GOT GF 10 M25 A0	Hood revos basic made of aluminum, with double locking lever and cable gland M25 on the top (IP54), low version, 10-poles
70.359.1035.1	Hood BAS GOT GF 10 M25 A1	Hood revos basic made of aluminum, with double locking lever and threaded hole M25 on the top, low version, 10-poles
70.359.1035.3	Hood BAS GOT GF 10 M25 A3	Hood revos basic made of aluminum, with double locking lever and trumpet gland M25 on the top (IP54), low version, 10-poles
70.372.1035.0	Hood BAS GOT GK 10 M20 A0	Hood revos basic made of aluminum, with double locking lever and cable gland M20 on the top - free cable connection (IP54), low version, 10-poles
70.372.1035.1	Hood BAS GOT GK 10 M20 A1	Hood revos basic made of aluminum, with double locking lever and threaded hole M20 on the top - free cable connection, low version, 10-poles
70.372.1035.3	Hood BAS GOT GK 10 M20 A3	Hood revos basic made of aluminum, with double locking lever and trumpet gland M20 on the top - free cable connection (IP54), low version, 10-poles
73.350.1035.0	Hood BAS GOT GA 10HM25 50 A0	Hood revos basic made of aluminum, for double locking lever or screw cap with cable gland M25 on the right side (IP54), low version, 10-poles
73.350.1035.1	Hood BAS GOT GA 10HM25 50 A1	Hood revos basic made of aluminum, for double locking lever or screw cap with threaded hole M25 on the right side, low version, 10-poles
73.350.1035.3	Hood BAS GOT GA 10 M20 A3	Hood revos basic made of aluminum, for double locking lever or screw cap with trumpet gland M20 on the right side (IP54), low version, 10-poles
73.351.1035.0	Hood BAS GOT GB 10H M20 A0	Hood revos basic made of aluminum, for double locking lever and cable gland M20 on the front (IP54), low version, 10-poles
73.351.1035.1	Hood BAS GOT GB 10H M20 A1	Hood revos basic made of aluminum, for double locking lever and threaded hole M20 on the front, low version, 10-poles
73.352.1035.0	Hood BAS GOT GC 10HM25 50 A0	Hood revos basic made of aluminum, for double locking lever or screw cap with cable gland M25 on the top (IP54), low version, 10-poles
73.352.1035.1	Hood BAS GOT GC 10HM25 50 A1	Hood revos basic made of aluminum, for double locking lever or screw cap with threaded hole M25 on the top, low version, 10-poles
73.353.1035.0	Hood BAS GOT GA 10HM32 50 A0	Hood revos basic made of aluminum, for double locking lever or screw cap with cable gland M32 on the right side (IP54), low version, 10-poles

73.353.1035.1	Hood BAS GOT GA 10HM32 50 A1	Hood revos basic made of aluminum, for double locking lever or. screw cap with threaded hole M32 on the right side, low version, 10-poles
73.353.1035.3	Hood BAS GOT GA 10HM32 50 A3	Hood revos basic made of aluminum, for double locking lever or. screw cap with trumpet gland M32 on the right side (IP54), low version, 10-poles
73.354.1035.0	Hood BAS GOT GC 10HM32 50 A0	Hood revos basic made of aluminum, for double locking lever or. screw cap with cable gland M32 on the top (IP54), low version, 10-poles
73.354.1035.1	Hood BAS GOT GC 10HM32 50 A1	Hood revos basic made of aluminum, for double locking lever or. screw cap with threaded hole M32 on the top, low version, 10-poles
70.320.1028.0	Bottom BAS GUT GA 10 A	Bottom-base revos basic made of aluminum, with double locking lever or.screw cap, low version, 10-poles
70.325.1028.0	Bottom BAS GUT GE 10 A	Bottom-base revos basic made of aluminum, for double locking lever and protective cover, open, low version, 10-poles
70.330.1035.0	Bottom BAS GUT GB 10 M20 A0	Bottom-base revos basic made of aluminum, with double locking lever or.screw cap with cable gland M20 on the right and left side (IP54), low version, 10-polig
70.330.1035.1	Bottom BAS GUT GB 10 M20 A1	Bottom-base revos basic made of aluminum, with double locking lever or.screw cap with threaded hole M20 on the right and left side, low version, 10-polig
70.331.1035.0	Bottom BAS GUT GC 10 M20 A0	Bottom-base revos basic made of aluminum, with double locking lever or.screw cap with cable gland M20 on the left side (IP54), low version, 10-polig
70.331.1035.1	Bottom BAS GUT GC 10 M20 A1	Bottom-base revos basic made of aluminum, with double locking lever or.screw cap with threaded hole M20 on the left side, low version, 10-polig
70.333.1035.0	Bottom BAS GUT GD 10 M20 A0	Bottom-base revos basic made of aluminum, with double locking lever or.screw cap with cable gland M20 on the right side (IP54), low version, 10-polig
70.333.1035.1	Bottom BAS GUT GD 10 M20 A1	Bottom-base revos basic made of aluminum, with double locking lever or.screw cap with threaded hole M20 on the right side, low version, 10-polig
70.334.1035.0	Bottom BAS GUT GB 10 M25 A0	Bottom-base revos basic made of aluminum, with double locking lever or.screw cap with cable gland M25 on the right and left side (IP54), low version, 10-polig
70.334.1035.1	Bottom BAS GUT GB 10 M25 A1	Bottom-base revos basic made of aluminum, with double locking lever or.screw cap with threaded hole M25 on the right and left side, low version, 10-polig
70.335.1035.0	Bottom BAS GUT GC 10 M25 50 A0	Bottom-base revos basic made of aluminum, with double locking lever or.screw cap with cable gland M25 on the left side (IP54), low version, 10-polig
70.335.1035.1	Bottom BAS GUT GC 10 M25 A1	Bottom-base revos basic made of aluminum, with double locking lever or.screw cap with threaded hole M25 on the left side, low version, 10-polig
70.337.1035.1	Bottom BAS GUT GD 10 M25 A1	Bottom-base revos basic made of aluminum, with double locking lever or.screw cap with threaded hole M25 on the right side, low version, 10-polig
70.340.1035.0	Bottom BAS GUT GF 10 M20 A0	Bottom-base revos basic made of aluminum, for double locking lever withcable gland M20 on the left and right side, with protective cover (IP54), low version, 10-polig
70.340.1035.1	Bottom BAS GUT GF 10 M20 A1	Bottom-base revos basic made of aluminum, for double locking lever withthreaded hole M20 on the left and right side, with protective cover, low version, 10-polig
70.341.1035.0	Bottom BAS GUT GG 10 M20 A0	Bottom-base revos basic made of aluminum, with double locking lever andcable gland M20 on the left side, with protective cover (IP54), low version, 10-polig



70.341.1035.1	Bottom BAS GUT GG 10 M20 A1	Bottom-base revos basic made of aluminum, with double locking lever and threaded hole M20 on the left side, with protective cover, low version, 10-polig
70.342.1035.0	Bottom BAS GUT GH 10 M20 A0	Bottom-base revos basic made of aluminum, with double locking lever and cable gland M20 on the right side, with protective cover (IP54), low version, 10-polig
70.342.1035.1	Bottom BAS GUT GH 10 M20 A1	Bottom-base revos basic made of aluminum, with double locking lever and threaded hole M20 on the right side, with protective cover, low version, 10-polig
70.343.1035.0	Bottom BAS GUT GI 10 M20 A0	Bottom-base revos basic made of aluminum, with double locking lever and cable gland M20 on the bottom, with protective cover (IP54), low version, 10-polig
70.343.1035.1	Bottom BAS GUT GI 10 M20 A1	Bottom-base revos basic made of aluminum, with double locking lever and threaded hole M20 on the bottom, with protective cover, low version, 10-polig
70.344.1035.1	Bottom BAS GUT GB 10 M25 A	Bottom-base revos basic made of aluminum, with protective cover and cable glands on the right and left side (IP54), low version, 10-poles
73.330.1035.0	Bottom BAS GUT GB 10HM25 50 A0	Bottom-base revos basic made of aluminum, with double locking lever or screw cap with cable gland M25 on the right and left side (IP54), low version, 10-polig
73.330.1035.1	Bottom BAS GUT GB 10HM25 50 A1	Bottom-base revos basic made of aluminum, with double locking lever or screw cap with threaded hole M25 on the right and left side, low version, 10-polig
73.331.1035.0	Bottom BAS GUT GC 10HM25 50 A0	Bottom-base revos basic made of aluminum, with double locking lever or screw cap with cable gland M25 on the left side (IP54), low version, 10-polig
73.331.1035.1	Bottom BAS GUT GC 10HM25 50 A1	Bottom-base revos basic made of aluminum, with double locking lever or screw cap with threaded hole M25 on the left side, low version, 10-polig
73.334.1035.0	Bottom BAS GUT GB 10HM32 50 A0	Bottom-base revos basic made of aluminum, with double locking lever or screw cap with cable gland M32 on the right and left side (IP54), low version, 10-polig
73.334.1035.1	Bottom BAS GUT GB 10HM32 50 A1	Bottom-base revos basic made of aluminum, with double locking lever or screw cap with threaded hole M32 on the right and left side, low version, 10-polig
73.335.1035.0	Bottom BAS GUT GC 10HM32 50 A0	Bottom-base revos basic made of aluminum, with double locking lever or screw cap with cable gland M32 on the left side (IP54), low version, 10-polig
73.335.1035.1	Bottom BAS GUT GC 10HM32 50 A1	Bottom-base revos basic made of aluminum, with double locking lever or screw cap with threaded hole M32 on the left side, low version, 10-polig
73.340.1035.0	Bottom BAS GUT GF 10HM25 50 A0	Bottom-base revos basic made of aluminum, for double locking lever with cable gland M25 on the left and right side, with protective cover (IP54), low version, 10-polig
73.340.1035.1	Bottom BAS GUT GF 10HM25 50 A1	Bottom-base revos basic made of aluminum, for double locking lever with threaded hole M25 on the left and right side, with protective cover, low version, 10-polig
73.341.1035.1	Bottom BAS GUT GG 10HM25 50 A1	Bottom-base revos basic made of aluminum, with double locking lever and threaded hole M25 on the left side, with protective cover, low version, 10-polig
73.342.1035.1	Bottom BAS GUT GH 10HM25 50 A1	Bottom-base revos basic made of aluminum, with double locking lever and threaded hole M25 on the right side, with protective cover, low version, 10-polig
73.344.1035.1	Bottom BAS GUT GF 10HM32 50 A1	Bottom-base revos basic made of aluminum, for double locking lever with threaded hole M32 on the left and right side, with protective cover, low version, 10-polig

73.345.1035.0	Bottom BAS GUT GG 10HM32 50 A0	Bottom-base revos basic made of aluminum, with double locking lever and cable gland M32 on the left side, with protective cover (IP54), low version, 10-pole
73.345.1035.1	Bottom BAS GUT GG 10HM32 50 A1	Bottom-base revos basic made of aluminum, with double locking lever and threaded hole M32 on the left side, with protective cover, low version, 10-pole
70.415.1053.0	Male insert BAS STP 10 2,5 50 AG	Male insert revos basic, 10-poles, rated current: 16A, rated voltage: 500V, with silver-plated contacts
70.110.1053.3	Multipole adapter BAS SAS LL 10 4,0 50	Multipole adapter revos BASIC 500V/16A screw connection 10 pole + ground, long design, male insert, ground left
70.110.1053.4	Multipole adapter BAS SAS KL 10 4,0 50	Multipole adapter revos BASIC 500V/16A screw connection 10 pole + ground, short design, male insert, ground right
70.115.1053.3	Multipole adapter BAS SAS LR 10 4,0 50	Multipole adapter revos BASIC 500V/16A screw connection 10 pole + ground, long design, female insert, ground left
70.115.1053.4	Multipole adapter BAS SAS KR 10 4,0 50	Multipole adapter revos BASIC 500V/16A screw connection 10 pole + ground, short design, female insert, ground left
70.111.1053.0	Multipole adapter BAS SAF KL 10 2,5 50	Multipole adapter revos BASIC 500V/16A spring clamp connection 10 pole + ground, short design, male insert, ground left
70.116.1053.0	Multipole adapter BAS SAF KR 10 2,5 50	Multipole adapter revos BASIC 500V/16A spring clamp connection 10 pole + ground, short design, male insert, ground right
70.312.1040.0	Male insert BAS STS OD 10 2,5 50	Male insert revos basic, 10-poles, rated current: 16A, rated voltage: 500V, with tin-plated contacts



Zeichnungsnummer  
70.300.1040.010W  
Buchseneinsatz

Buchseneinsatz  
70.300.1040.0  
70.301.1040.0  
70.302.1040.0

25.10.2007  
Hoffmann Angelika  
M 1:1