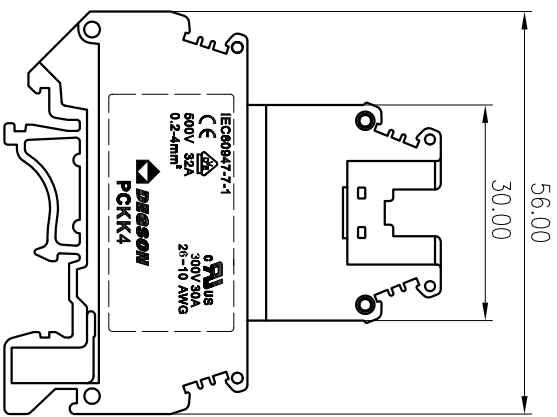
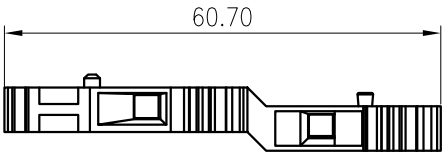
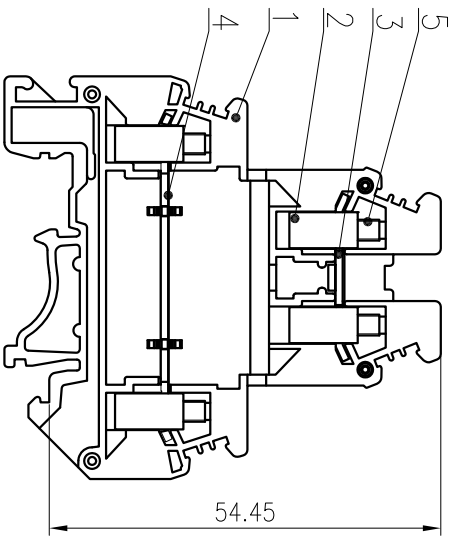
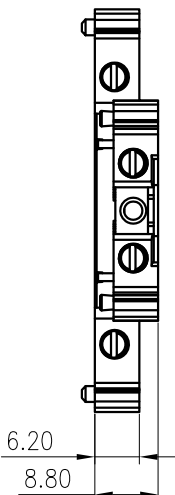


公差表/General tolerances(mm)		0	>3	>6	>10	>18	>30	>50	>80	>120	>180	>250	>315	>400	>500	0.1/10
~	~	~	~	~	~	~	~	~	~	~	~	~	~	~	~	∅
±0.12	±0.18	±0.22	±0.26	±0.31	±0.37	±0.57	±0.80	±0.93	±1.05	±1.15	±1.50	±2.20	±2.50	±2.50	±2	∅



5	Screw	Copper alloy	M3/Ni-Plated
4	Short Contact	Copper	Sn Plated
3	Long Contact	Copper	Sn Plated
2	Cage	Copper alloy	M3/Ni-Plated
1	Housing	PA66	UL94V-0

ITEM	NAME OF PART	MATERIAL	NOTES
UL 标准/UL Standard:		B	C
额定电压/Rated Voltage(V)	Current(A)	300/30	300/30
FC 标准/EC Standard:			
过压类别/Overvoltage Category/污染等级/Pollution Degree		III/3	/
额定电压/电流/Rated Voltage(V)/Current(A)		500/32	/
额定脉冲电压(KV)/Rote Impulse Voltage(KV)		6	/
螺丝扭矩/Torque Tightening(N·m/Lb·in)		M3, 0.5/5.4	/
线径范围(硬线和软线)/Wire Range(rigid and flexible)(mm <sup>2</sup> /AWG)		0.2~4.0/26~10	/
间距/Pitch(mm)		6.2	/
剥线长度/Stripping length(mm)		7-8	/
使用温度范围/Operating temperature(°C)		-40~+105	/
符合RoHS要求/Conform to RoHS		Yes	/
标准颜色/Standard color number:			/
PANTONE / RAL			/

MATERIAL: / SURFACE: /

MAT NO.: /  
 STATUS: /  
 APPD: LIGL 2020.04.07  
 CHKD:ldou 2020.04.07  
 DRT: Wang Y 2020.04.07

NAME: **DEGSON®** 宁波高松电子有限公司  
 NINGBO DEGSON ELECTRICAL CO., LTD

DRAWING NO.: PCKK4-C01  
 TYPE: CUSTOMER DRAWING  
 SCALE: 1:1 SHEET 1/1

REV	ECN	DESCRIPTION	DRT	DATE
1				
2				
3				
4				

SIZE: A4  
 (mm) (inch)