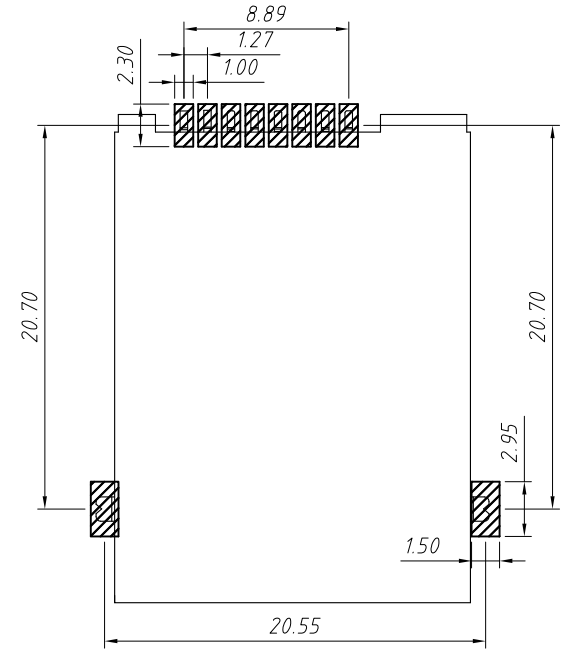
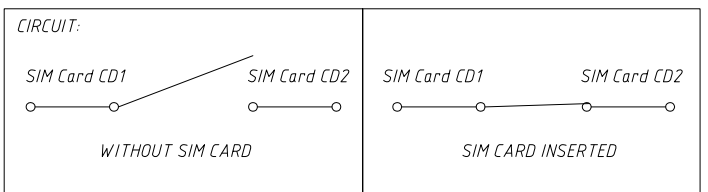
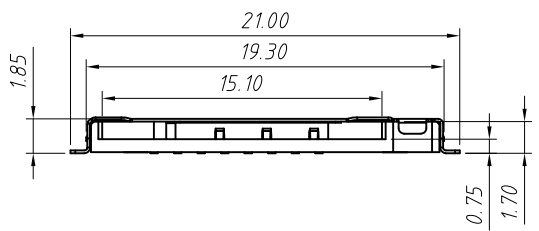
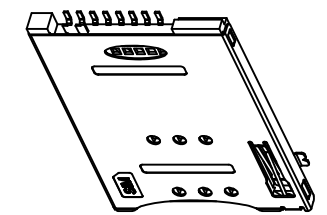



Pin #	Name
C1	VCC
C2	RST
C3	CLK
C5	GND
C6	VPP
C7	I / O



PCB PAD
 RECOMMENDED PCB LAYOUT
 GENERAL TOLERANCE ±0.05

Material:
 Insulator:H- Temperature Plastic,UL 94 V-0.Black.
 Contact:Copper Alloy, T=0.15mm;Shell:Stainless Steel, T=0.15mm
Finish:
 Terminal:50u" min Nickel Underplated on Allover,Gold Plating on Contact Arer,80u" min Tin on Solder Tail.
 Shell:50u" Nickel Underplated on Allover,Gold Flash on Solder Latch.
Electrical:
 Current Rating:0.5A;Voltage Rating:5.0 Vrms.
 Insulation Resistance:500M Min.At DC 500V DC
 Withstanding Voltage:250V ACrms For 1 Minute.
 Contact Resistance:100M Max.At 10MA/20mV MAX.
 Operating Temperature:-55°C TO +85°C ;Mating Cycles:5000 Insertions.



GENERAL TOLERANCE		ANGLE TOLERANCE		PROJECTION	Description:	
X	±0.15	X	±5°	UNITS		SIM CARD CONN;PUSH PUSH, 6P,H1.85mm,SMD with CD Pin L-KLS1-SIM-030-6P
.X	±0.03	.X	±3°	SHEET SIZE	A4	
.XX	±0.05	.XX	±2°	KLS P/N:		
Draw by:	Jenny	Date:	2018-03-10	 NingBo KLS ELECTRONIC CO.,L TD.		
Check by:		Date:	2018-03-10			
SCALE		SHEET	1 OF 1			