

## Data sheet

Commercial Art.No.: 56.135.1055.0

High current terminal WRT 35/M6

High current terminal block with ring lug connection for mounting on TS35, nominal cross section: 35 mm<sup>2</sup>, width: 27 mm, color: grey



|                    |               |
|--------------------|---------------|
| Commercial Art.No. | 56.135.1055.0 |
| EAN                | 4049088260827 |
| Order Unit         | 10            |

Certificates / Approvals



## Technical data

### General

|  |                               |
|--|-------------------------------|
| Nominal cross section                                      | 35 mm <sup>2</sup>            |
| Color  | Grey                          |
| Number of levels   | 1                             |
| Number of clamp positions per level                        | 2                             |
| Width/grid dimension                                       | 27 mm                         |
| Insulating housing   | PA66                          |
| Inflammability class of insulation material acc. with UL94 | V0                            |
| Explosion-tested version "Ex e"                            | No                            |
| Mounting method  | DIN rail (top hat rail) 35 mm |
| Terminal blocks for electrical installations               | yes                           |

### Technical data

|                             |               |
|-----------------------------|---------------|
| Rated current               | 125 A         |
| Rated voltage               | 1000 V        |
| Rated impulse voltage       | 8 kV          |
| Pollution degree            | 3             |
| Type of insulation material | Thermoplastic |
| Length                      | 107.5 mm      |
| Width                       | 27 mm         |
| Height                      | 51.5 mm       |

### Connection Data

|                 |                 |
|-----------------|-----------------|
| Connection type | Bolt connection |
|-----------------|-----------------|

|                                     |                     |
|-------------------------------------|---------------------|
| Connection type 1                   | Bolt connection     |
| Minimum cross section fine stranded | 2.5 mm <sup>2</sup> |
| Maximum cross section fine stranded | 50 mm <sup>2</sup>  |

#### Technical Data UL/CSA

|                        |            |
|------------------------|------------|
| Cross section UL       | AWG 14 - 2 |
| Voltage UL             | 1000 V     |
| Current factory wiring | 130 A      |
| Cross section CSA      | AWG 14 - 2 |
| Voltage CSA            | 1000 V     |
| Current CSA            | 130 A      |

#### Classification

|            |          |
|------------|----------|
| ECLASS 11  |          |
| ECLASS 8.1 | 27141120 |
| ETIM 7.0   | EC000897 |
| ETIM 6.0   | EC000897 |
| ETIM 5.0   | EC000897 |

#### Product compliance

|                              |           |
|------------------------------|-----------|
| REACH-SVHC conformity status | Compliant |
|------------------------------|-----------|

#### Accessories

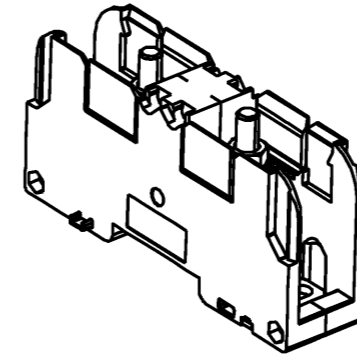
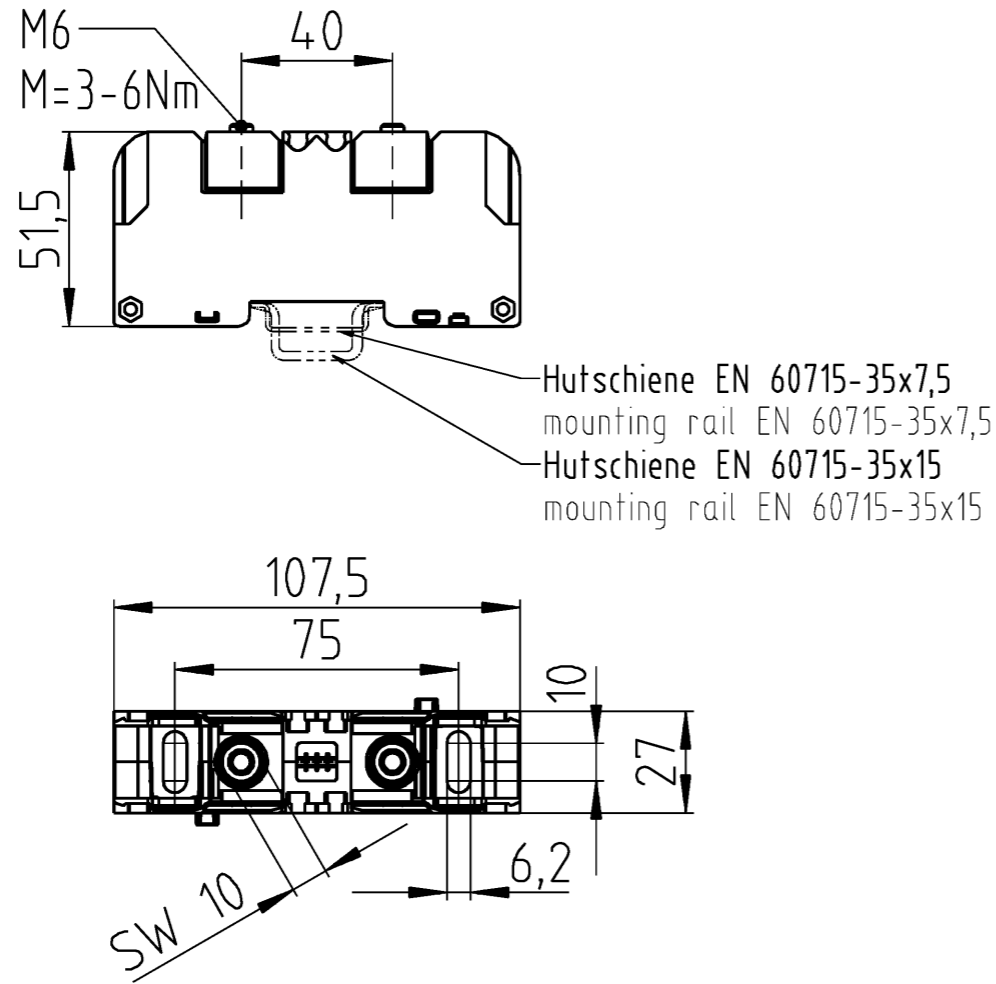
| Commercial Art.No.: | Article-type description:                        | Description:   |
|---------------------|--|--|
| 07.201.1227.6       | Jumper bar VB WRT 35/ 2                          | Cross connector for terminal blocks type WRT 35, 2-pole  |
| 07.201.1327.6       | Jumper bar VB WRT 35/ 3                          | Cross connector for terminal blocks type WRT 35, 3-pole  |
| 98.300.0000.0       | Mounting rail TS 35x7,5 UNPERF - l:2000mm        | Mounting rail TS 35, unslotted, size 7,5 mm, length 2 m, material steel. galv. zinc-plated and dichromated   |
| 98.300.1000.0       | Mounting rail TS 35x7,5 PERF 15mm - l:2000mm     | Mounting rail TS 35, slotted, size 7,5 mm, length 2 m, material steel. galv. zinc-plated and dichromated   |
| 98.300.1800.0       | Mounting rail TS 35x7,5 PERF 18mm - l:2000mm     | Mounting rail TS 35, slotted, size 7,5 mm, length 2 m, material steel. galv. zinc-plated and dichromated   |
| 98.300.1900.0       | Mounting rail TS 35x7,5 PERF 25mm - l:2000mm     | Mounting rail TS 35, slotted, size 7,5 mm, length 2 m, material steel. galv. zinc-plated and dichromated   |
| 98.360.0000.0       | Mounting rail TS 35x15-2,3 UNPERF - l:2000mm     | Mounting rail TS 35, unslotted, size 15 mm, length 2 m, material steel. galv. zinc-plated and dichromated  |
| 98.360.0004.0       | Mounting rail TS 35x15-2,3 UNPERF FZN - l:2000mm | Mounting rail TS 35, unslotted, size 15 mm, length 2 m, material steel, hot galvanized   |
| 98.370.0000.0       | Mounting rail TS 35x15 UNPERF - l:2000mm         | Mounting rail TS 35, unslotted, size 15 mm, length 2 m, material steel. galv. zinc-plated and dichromated  |
| 98.370.1000.0       | Mounting rail TS 35x15 PERF 15mm - l:2000mm      | Mounting rail TS 35, slotted, size 15 mm, length 2 m, material steel. galv. zinc-plated and dichromated  |
| 98.380.0000.0       | Mounting rail TS 35x15-2,3 UNPERF CU - l:2000mm  | Mounting rail TS 35, unslotted, size 15 mm, length 2 m, material E copper  |
| 04.242.8053.0       | Marking tag strips 9705 A / 8 / 10               | Marking tag strips for DIN rail terminal blocks type 9700 A / 8..., 10 tags per strip, color: blue, unmarked, markable with Wieplot plotter-system |

A  
Weitergabe sowie Vervielfältigung dieses Dokuments, Verwertung und Mitteilung seines Inhalts sind verboten, soweit nicht ausdrücklich gestattet. The reproduction, distribution and utilization of this document as well as the communication of its contents to others without express authorization is prohibited.

B  
These dimensions will be especially checked at delivery  
Only inspection dimensions  
With /E marked dimensions are only valid for internal use

D  
Diese Maße werden bei Abnahme besonders geprüft  
Ausschließlich Prüfmaße  
Mit /E gekennzeichnete Maße sind nur für interne Zwecke gültig

F



Zubehör  
/Accessories:

- 07.431.7053.8 Abdeckung/Cover
- 07.201.1227.6 Verbindungssteg/Jumper bar (2)
- 07.201.1327.6 Verbindungssteg/Jumper bar (3)

Technische Daten  
/Technical data

|  | IEC      | c us<br>factory   field<br>wiring |      |
|--|----------|-----------------------------------|------|
| Bemessungsspannung V<br>rated voltage V                                      | 1000     | 1000                              | 1000 |
| Bemessungsstrom A<br>rated current A   | 125      | 130                               | 130  |
| Bemessungsquerschnitt mm <sup>2</sup><br>rated cross section mm <sup>2</sup> | 35       |                                   |      |
| AWG  |          | 14-1/0                            |      |
| Bemessungsstoßspannung kV<br>rated voltage kV                                | 8        |                                   |      |
| Verschmutzungsgrad<br>pollution degree                                       | 3        |                                   |      |
| Brennbarkeitsklasse nach UL94<br>flamability rating                          | V0       |                                   |      |
| Klemmbereich mm <sup>2</sup><br>clamping range mm <sup>2</sup>               | 2,5 - 50 |                                   |      |
| Bolzensgröße<br>bolt size  | M6       |                                   |      |

|                                |              |                        |                            |
|--------------------------------|--------------|------------------------|----------------------------|
| 56.135.1055.0                  | WRT 35 M6    | /                      | X                          |
| Bestellnummer<br>/Order number | Typ<br>/Type | Varianten<br>/Variants | dar-<br>gestellt<br>/drawn |

Weitere Daten siehe KATALOG oder eKatalog  
additional data see CATALOG or eCATALOG

[www.wieland-electric.com](http://www.wieland-electric.com)  
[eshop.wieland-electric.com](http://eshop.wieland-electric.com)

|   |   |   |                                  |
|---|---|---|----------------------------------|
| Tolerierung Size ISO 14405 © / Tolerance system Size ISO 14405 ©.<br>(This ISO-standard describes the envelope principle. According to the envelope principle the deviations of form and parallelism are limited by the size tolerances). |   | ja/yes <input checked="" type="checkbox"/> Stoffverbots- und Deklarationsliste nach WN 5020.010 ist einzuhalten.<br>Conformity with Wieland document WN 5020.010 e (list of prohibited / declarable hazardous substances) to be declared! |                                  |
| Freitoleranz nach<br>General tolerance  | CAD - Zeichnung, keine manuellen Änderungen<br>CAD - drawing, no manual modifications allowed | 1. Verwendung:<br>First Use:  | Blatt:<br>Sheet: 1 von 1<br>of 1 |
| /   | Werkstoff / Material<br>PA 66/6 V0<br>grau/grey   | Tag/Date<br>23.11.2017  | Name<br>Schmitt                  |
| /   | Maßstab / Scale<br>1:2  | Zeichnung Nr. / Drawing No.<br>56.135.1055.0 13K  |                                  |
| /   | Vol. mm <sup>3</sup> / fl./Srf. mm <sup>2</sup>   | Maße in mm / Dimensions are in mm   |                                  |
| /   | Ersatz für / Replacement for: 56.135.1055.0 01K   |   |                                  |
| /   | Type<br>Benennung/Title<br>selos<br>WRT<br>BOLZENKLEMME<br>stud terminal                      |   |                                  |
| Index<br>Änderung / Revision  | Datum / Blatt<br>Date / Sheet<br>www.wieland-electric.com                                     |   |                                  |