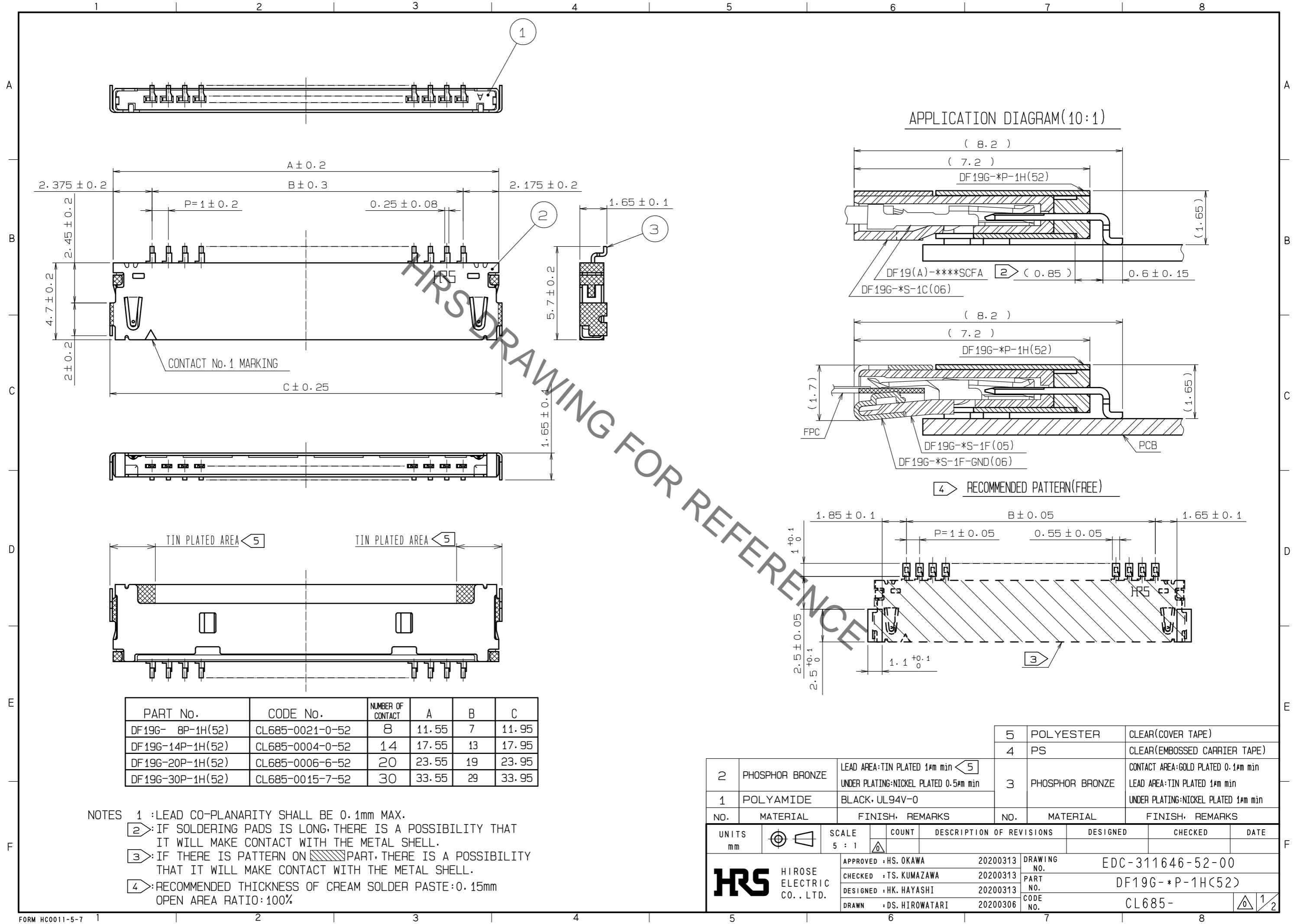


Jul.1.2022 Copyright 2022 HIROSE ELECTRIC CO., LTD. All Rights Reserved.
In case of consideration for using Automotive equipment / device which demand high reliability, kindly contact our sales window correspondents.



PART No.	CODE No.	NUMBER OF CONTACT	A	B	C
DF19G- 8P-1H(52)	CL685-0021-0-52	8	11.55	7	11.95
DF19G-14P-1H(52)	CL685-0004-0-52	14	17.55	13	17.95
DF19G-20P-1H(52)	CL685-0006-6-52	20	23.55	19	23.95
DF19G-30P-1H(52)	CL685-0015-7-52	30	33.55	29	33.95

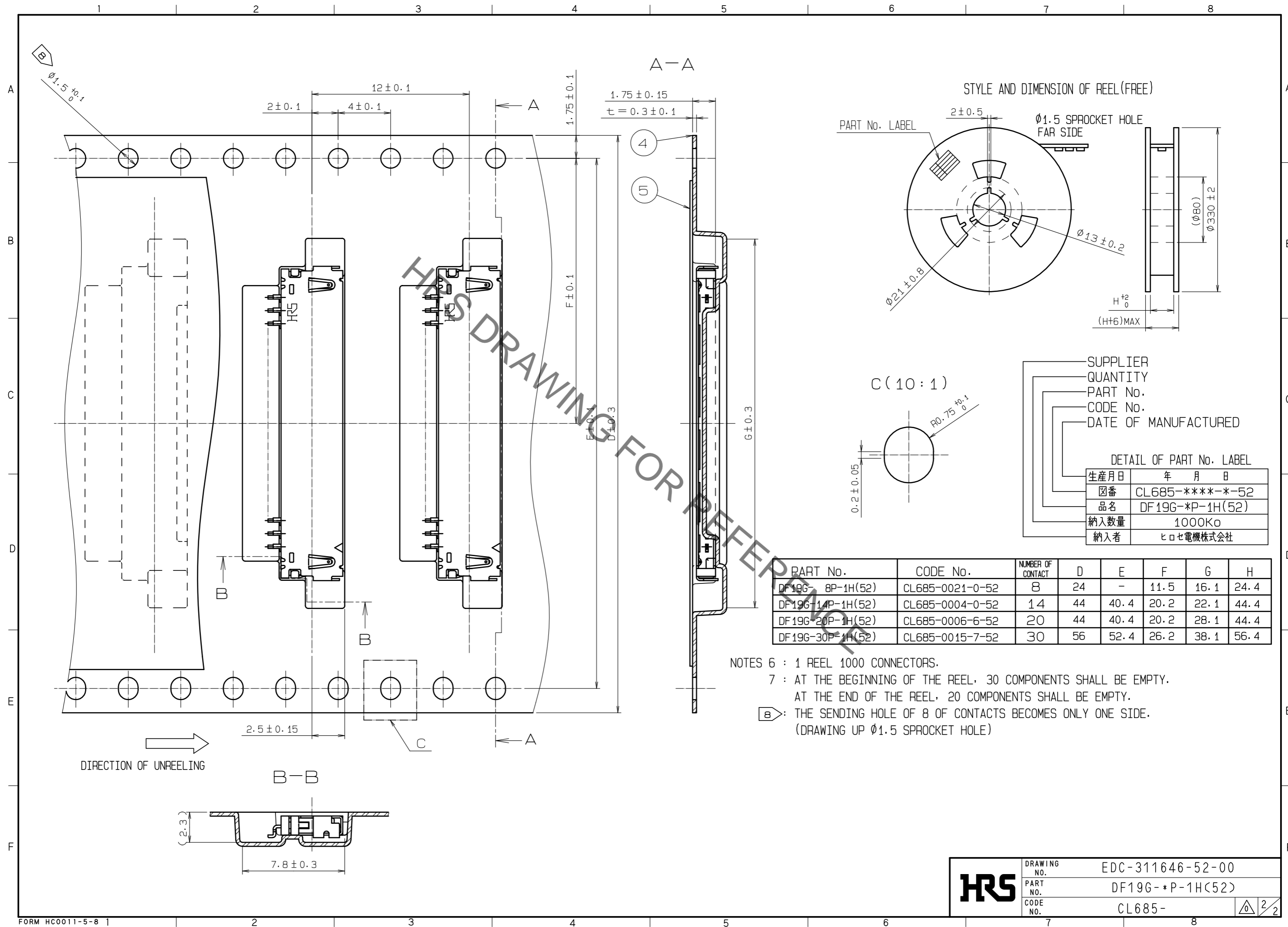
NOTES 1 :LEAD CO-PLANARITY SHALL BE 0.1mm MAX.
 2 :IF SOLDERING PADS IS LONG, THERE IS A POSSIBILITY THAT IT WILL MAKE CONTACT WITH THE METAL SHELL.
 3 :IF THERE IS PATTERN ON PART, THERE IS A POSSIBILITY THAT IT WILL MAKE CONTACT WITH THE METAL SHELL.
 4 :RECOMMENDED THICKNESS OF CREAM SOLDER PASTE:0.15mm
 OPEN AREA RATIO:100%

NO.	MATERIAL	FINISH, REMARKS	NO.	MATERIAL	FINISH, REMARKS
2	PHOSPHOR BRONZE	LEAD AREA:TIN PLATED 1μm min 5 UNDER PLATING:NICKEL PLATED 0.5μm min	5	POLYESTER	CLEAR(COVER TAPE)
1	POLYAMIDE	BLACK, UL94V-0	4	PS	CLEAR(EMBOSSD CARRIER TAPE)
			3	PHOSPHOR BRONZE	CONTACT AREA:GOLD PLATED 0.1μm min LEAD AREA:TIN PLATED 1μm min UNDER PLATING:NICKEL PLATED 1μm min

UNITS	SCALE	COUNT	DESCRIPTION OF REVISIONS	DESIGNED	CHECKED	DATE
mm	5 : 1		APPROVED : HS. OKAWA 20200313 CHECKED : TS. KUMAZAWA 20200313 DESIGNED : HK. HAYASHI 20200313 DRAWN : DS. HIROWATARI 20200306			

DRAWING NO.	PART NO.	CODE NO.
EDC-311646-52-00	DF19G-*P-1H(52)	CL685-

Jul.1.2022 Copyright 2022 HIROSE ELECTRIC CO., LTD. All Rights Reserved.
 In case of consideration for using Automotive equipment / device which demand high reliability, kindly contact our sales window correspondents.



HRS	DRAWING NO.	EDC-311646-52-00
	PART NO.	DF19G-*P-1H(52)
	CODE NO.	CL685-