

TPS7A3501 High PSRR, Low-Noise, 1-A Power Filter

1 Features

- Regulates Input-to-Output Voltage:
 - User-Programmable Input-to-Output Voltage Regulation Range: 200 mV to 500 mV
- Power-Supply Rejection Ratio:
 - 42 dB at 1 MHz
 - ≥ 32 dB (360 kHz to 3.9 MHz)
- Low-Noise Output:
 - 3.8 μV_{RMS} (10 Hz to 100 kHz)
- Output Current: Up to 1 A
- Output Voltage Range: 1.21 V to 4.5 V
- Excellent Load Transient Response
- Stable With Ceramic Capacitors as Low as 10 μF
- Current Limit and Thermal Shutdown for Fault Protection
- Available in a Low Thermal Resistance Package: 2-mm \times 2-mm WSON-6
- Operating Temperature Range: -40°C to 125°C

2 Applications

- Post DC-DC Converter Ripple Filtering
- Base Stations and Telecom Infrastructure
- Professional Audio
- Communications
- Imaging
- Test and Measurement
- Passive Filter Replacement

3 Description

The TPS7A3501 is a positive voltage, low-noise ($3.8\text{-}\mu\text{V}_{\text{RMS}}$) power filter capable of sourcing a 1-A load suitable for quiet supply solutions. Power filters, such as the TPS7A3501, provide voltage regulation across the input and output terminals with high efficiency (low insertion loss), and power-supply rejection. The device is ideally suited as a noise filter for 3.3-V, 2.5-V, and 1.8-V supplies at up to 1 A.

The input-to-output voltage regulation is also user-programmable, from 200 mV to 500 mV, with a single external resistor. If no resistor is used, the TPS7A3501 provides 330 mV of input-to-output voltage regulation. The device is stable with 10- μF input and output ceramic capacitors and a 10-nF noise-reduction ceramic capacitor.

The TPS7A3501 is fully specified over a wide temperature of -40°C to 125°C . The device is offered in a low thermal resistance, 2-mm \times 2-mm, WSON-6 package. Unlike passive filters, the TPS7A3501 provides thermal and current protection for itself and surrounding circuitry.

Device Information⁽¹⁾

PART NUMBER	PACKAGE	BODY SIZE (NOM)
TPS7A3501	WSON (6)	2.00 mm \times 2.00 mm

(1) For all available packages, see the orderable addendum at the end of the data sheet.

Typical Application Circuit

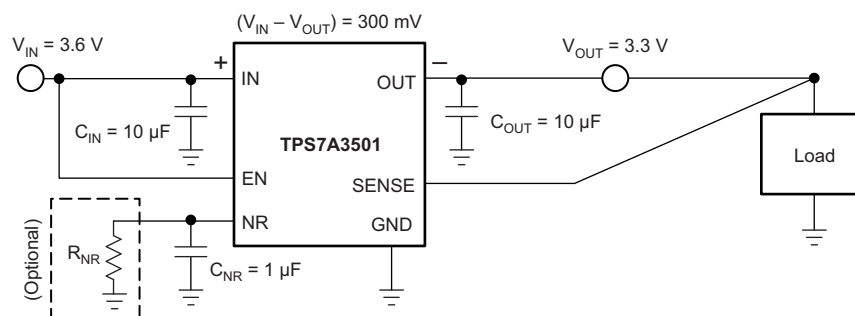


Table of Contents

1 Features	1	8 Application and Implementation	15
2 Applications	1	8.1 Application Information.....	15
3 Description	1	8.2 Typical Application	15
4 Revision History	2	8.3 Do's and Don'ts.....	18
5 Pin Configuration and Functions	4	9 Power Supply Recommendations	18
6 Specifications	5	10 Layout	19
6.1 Absolute Maximum Ratings	5	10.1 Layout Guidelines	19
6.2 ESD Ratings.....	5	10.2 Layout Example	19
6.3 Recommended Operating Conditions.....	5	10.3 Power Dissipation	19
6.4 Thermal Information	5	10.4 Estimating Junction Temperature	20
6.5 Electrical Characteristics.....	6	11 Device and Documentation Support	21
6.6 Typical Characteristics.....	7	11.1 Device Support.....	21
7 Detailed Description	11	11.2 Documentation Support	21
7.1 Overview	11	11.3 Trademarks	21
7.2 Functional Block Diagram	11	11.4 Electrostatic Discharge Caution.....	21
7.3 Feature Description.....	12	11.5 Glossary	21
7.4 Device Functional Modes.....	13	12 Mechanical, Packaging, and Orderable Information	21

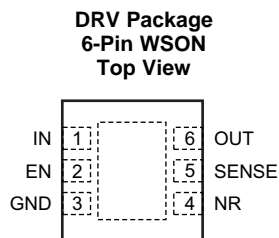
4 Revision History

Changes from Revision A (October 2013) to Revision B	Page
• Added ESD Ratings table, Feature Description section, Device Functional Modes, Application and Implementation section, Power Supply Recommendations section, Layout section, Device and Documentation Support section, and Mechanical, Packaging, and Orderable Information section	1
• Changed "free-air temperature" to "junction temperature" in Absolute Maximum Ratings condition statement	5
• Changed Figure 14 to Figure 18: collected new data	8

Changes from Original (July 2013) to Revision A	Page
• Changed document status to Production Data.....	1
• Changed document title.....	1
• Deleted second sub-bullet from first Features bullet	1
• Changed sub-bullets in Power-Supply Rejection Ratio and Low-Noise Output Features bullets	1
• Changed Output Current, Transient Response, Ceramic Capacitors, and Package Features bullets	1
• Deleted Input Voltage Range Features bullet	1
• Added Output Voltage Range Features bullet.....	1
• Added 4th to 7th Applications bullets	1
• Changed 1st and 3rd paragraphs of Description section	1
• Changed voltage regulation value in second Description paragraph.....	1
• Added changes to Typical Application Circuit	1
• Changed descriptions of IN, NR, OUT, and PowerPAD pins in Pin Functions table	4
• Added PowerPAD row to Pin Functions table	4
• Changed associated pins of Voltage parameter in Absolute Maximum Ratings table.....	5
• Changed T _J Temperature range parameter minimum specification in Absolute Maximum Ratings table	5
• Changed conditions of Electrical Characteristics table	6
• Changed V _{IN} and V _{OUT} parameter maximum specifications in Electrical Characteristics table.....	6
• Added V _{UVLO(in)} parameter to Electrical Characteristics table	6
• Changed V _{IN} – V _{OUT} voltage range, V _m , and T _{sd} parameters in Electrical Characteristics table.....	6

- Changed I_{CL} and I_{EN} parameter specifications in *Electrical Characteristics* table 6
- Changed I_{GND} parameter typical specification in *Electrical Characteristics* table 6
- Changed I_{SHDN} test conditions and parameter specifications in *Electrical Characteristics* table 6
- Changed $V_{EN(HI)}$ parameter minimum specification in *Electrical Characteristics* table 6
- Changed *Typical Characteristics* section 7
- Added *Functional Block Diagram* 11
- Changed *Application Information* section 15
- Changed *Board Layout Recommendations* section 19

5 Pin Configuration and Functions



Pin Functions

PIN		I/O	DESCRIPTION
NAME	NO.		
EN	2	I	Enable pin. Driving EN high turns on the device (if driven low, EN turns off the device). EN must not be left floating and can be connected to IN if not used.
GND	3	—	Ground
IN	1	I	Input supply. A capacitor greater than or equal to 10 μ F must be tied from this pin to ground to assure stability. This configuration is especially important when long input traces or high source impedances are encountered. TI recommends using X5R- or X7R-type dielectrics to minimize the temperature variations inherent to capacitors.
NR	4	O	Noise-reduction pin. When a capacitor is connected from this pin to GND, RMS noise can be reduced to very low levels. A capacitor greater than or equal to 10 nF must be tied from this pin to ground to assure stability. TI recommends connecting a 1- μ F capacitor from NR to GND (as close to the device as possible) to maximize AC performance and minimize noise. TI recommends using X5R- or X7R-type dielectrics to minimize the temperature variations inherent to capacitors. In addition, when a resistor is connected from this pin to GND or IN, the device input-to-output voltage can be programmed; see Feature Description for details.
OUT	6	O	Regulator output. A capacitor greater than or equal to 10 μ F must be tied from this pin to ground to assure stability. TI recommends using a X5R- or X7R-type dielectrics to minimize the temperature variations inherent to capacitors.
PowerPAD™	—	—	Connect the PowerPAD to the ground plane for improved thermal performance.
SENSE	5	I	Control-loop error amplifier input. This pin must be connected to OUT. TI recommends connecting SENSE at the point of load to maximize accuracy.

6 Specifications

6.1 Absolute Maximum Ratings

over operating junction temperature range (unless otherwise noted).⁽¹⁾

		MIN	MAX	UNIT
Voltage	IN, NR, EN	-0.3	7	V
	OUT, SENSE	-0.3	$V_{IN} + 0.3^{(2)}$	
Current	OUT	Internally limited		
Temperature	Operating junction, T_J	-40	125	°C
	Storage, T_{stg}	-55	150	

- (1) Stresses beyond those listed under *Absolute Maximum Ratings* may cause permanent damage to the device. These are stress ratings only, which do not imply functional operation of the device at these or any other conditions beyond those indicated under *Recommended Operating Conditions*. Exposure to absolute-maximum-rated conditions for extended periods may affect device reliability.
- (2) Absolute maximum rating is $V_{IN} + 0.3$ V or + 7 V, whichever is smaller.

6.2 ESD Ratings

		VALUE	UNIT
$V_{(ESD)}$ Electrostatic discharge	Human body model (HBM), per ANSI/ESDA/JEDEC JS-001, all pins ⁽¹⁾	±1000	V
	Charged device model (CDM), per JEDEC specification JESD22-C101, all pins ⁽²⁾	±250	

- (1) JEDEC document JEP155 states that 500-V HBM allows safe manufacturing with a standard ESD control process.
- (2) JEDEC document JEP157 states that 250-V CDM allows safe manufacturing with a standard ESD control process.

6.3 Recommended Operating Conditions

over operating junction temperature range (unless otherwise noted).

		MIN	NOM	MAX	UNIT
V_{IN}	Input voltage	1.71		5	V
I_{OUT}	Output current	0		1	A
T_J	Operating junction temperature	-40		125	°C

6.4 Thermal Information

THERMAL METRIC ⁽¹⁾		DRV (WSON)	UNIT
		6 PINS	
$R_{\theta JA}$	Junction-to-ambient thermal resistance	66.9	°C/W
$R_{\theta JC(top)}$	Junction-to-case (top) thermal resistance	86.5	
$R_{\theta JB}$	Junction-to-board thermal resistance	36.4	
Ψ_{JT}	Junction-to-top characterization parameter	1.8	
Ψ_{JB}	Junction-to-board characterization parameter	36.6	
$R_{\theta JC(bot)}$	Junction-to-case (bottom) thermal resistance	7.3	

- (1) For more information about traditional and new thermal metrics, see the *IC Package Thermal Metrics* application report, [SPRA953](#).

6.5 Electrical Characteristics

At $T_J = -40^\circ\text{C}$ to 125°C , $V_{IN} = 3.6\text{ V}$, $R_{NR} = \infty$ (not connected), $I_{OUT} = 10\text{ mA}$, $V_{EN} = V_{IN}$, and $C_{IN} = C_{OUT} = 10\text{ }\mu\text{F}$, unless otherwise noted.

PARAMETER		TEST CONDITIONS	MIN	TYP	MAX	UNIT
V_{IN}	Input voltage range		1.71		5	V
$V_{UVLO(in)}$	Input supply UVLO	V_{IN} increasing	1.5		1.7	V
		V_{IN} hysteresis		200		mV
V_{OUT}	Output voltage range		1.21		4.5	V
$V_{IN} - V_{OUT}$	Voltage range		200		500	mV
		$V_{OUT(nom)} = V_{IN} - 330\text{ mV}$, $I_{OUT} \leq 1\text{ A}$, $1.71\text{ V} \leq V_{IN} \leq 4.83\text{ V}$	297	330	363	mV
		$R_{NR_INTERNAL}^{(1)}$	110	170	210	k Ω
		$I_{NR_INTERNAL}^{(2)}$	1.4	1.8	2.4	μA
$\Delta V_{OUT(\Delta I_{OUT})}$	Load regulation	$10\text{ mA} \leq I_{OUT} \leq 1\text{ A}$		10		$\mu\text{V}/\text{mA}$
I_{CL}	Output current limit	$V_{OUT} = 0.85 \times V_{OUT(nom)}$	1.1			A
I_{GND}	GND pin current			2.25	5	mA
I_{EN}	EN pin input current	$V_{EN} = V_{IN}$		1	50	nA
$I_{SHUTDOWN}$	Shutdown current (I_{GND})	$V_{EN} \leq 0.3\text{ V}$		0.01	3	μA
PSRR	Power-supply rejection ratio	$f = 10\text{ kHz}$, $C_{NR} = 1\text{ }\mu\text{F}$, $I_{OUT} = 0.5\text{ A}$		55		dB
		$f = 100\text{ kHz}$, $C_{NR} = 1\text{ }\mu\text{F}$, $I_{OUT} = 0.5\text{ A}$		40		
		$f = 1\text{ MHz}$, $C_{NR} = 1\text{ }\mu\text{F}$, $I_{OUT} = 0.5\text{ A}$		42		
V_n	Output noise voltage	$BW = 10\text{ Hz to }100\text{ kHz}$, $C_{NR} = 1\text{ }\mu\text{F}$, $I_{OUT} = 1\text{ A}$		3.8		μV_{RMS}
		$BW = 100\text{ Hz to }100\text{ kHz}$, $C_{NR} = 1\text{ }\mu\text{F}$, $I_{OUT} = 1\text{ A}$		3.62		
		$BW = 10\text{ Hz to }1\text{ MHz}$, $C_{NR} = 1\text{ }\mu\text{F}$, $I_{OUT} = 1\text{ A}$		12.1		
$V_{EN(LO)}$	EN pin input low (disable)				0.4	V
$V_{EN(HI)}$	EN pin input high (enable)		1.1			V
T_{sd}	Thermal shutdown junction temperature	Shutdown, temperature increasing		165		$^\circ\text{C}$
		Shutdown, temperature hysteresis		20		

(1) $R_{NR_INTERNAL}$ refers to the internal resistor used to set $(V_{IN} - V_{OUT})$ for the device when no external R_{NR} is used. See [Adjustable Voltage Drop](#) and [Typical Application Circuit](#) for details.

(2) $I_{NR_INTERNAL}$ refers to the internal current source used to set $(V_{IN} - V_{OUT})$ for the device when no external R_{NR} is used. See [Adjustable Voltage Drop](#) and [Typical Application Circuit](#) for details.

6.6 Typical Characteristics

At $V_{IN} = 3.6\text{ V}$, $R_{NR} = \infty$ (not connected), $I_{OUT} = 10\text{ mA}$, $V_{EN} = V_{IN}$, $C_{OUT} = 10\text{ }\mu\text{F}$, $C_{IN} = 10\text{ }\mu\text{F}$, and $C_{NR} = 0.1\text{ }\mu\text{F}$, unless otherwise noted.

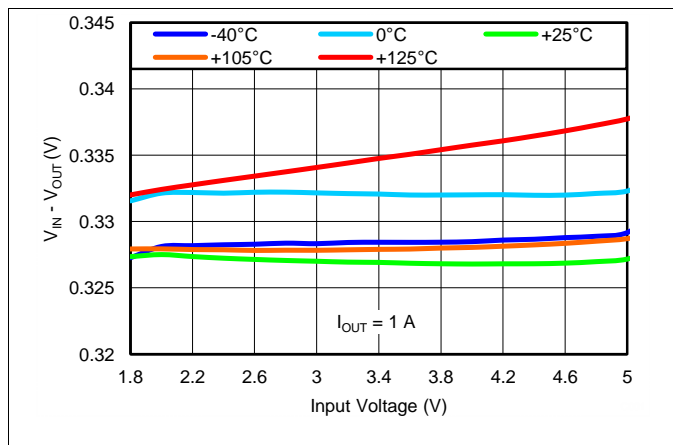


Figure 1. Line Regulation

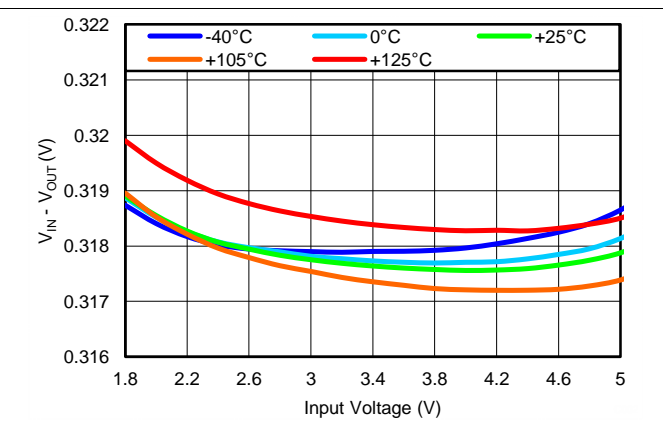


Figure 2. Line Regulation

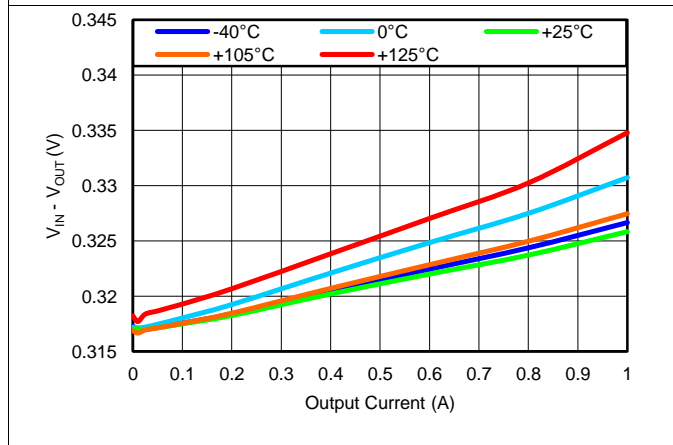


Figure 3. Load Regulation

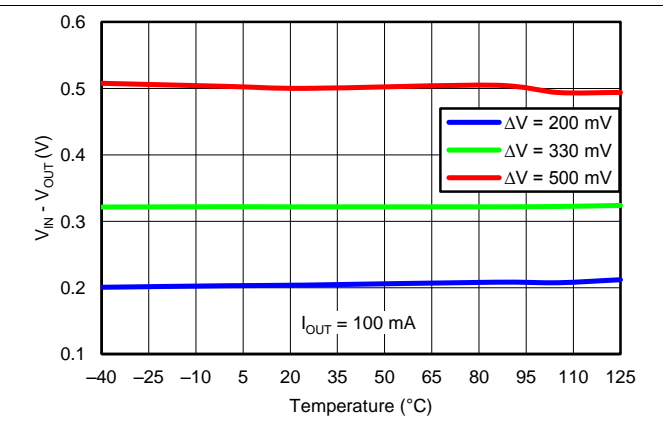


Figure 4. V_{Δ} vs Temperature

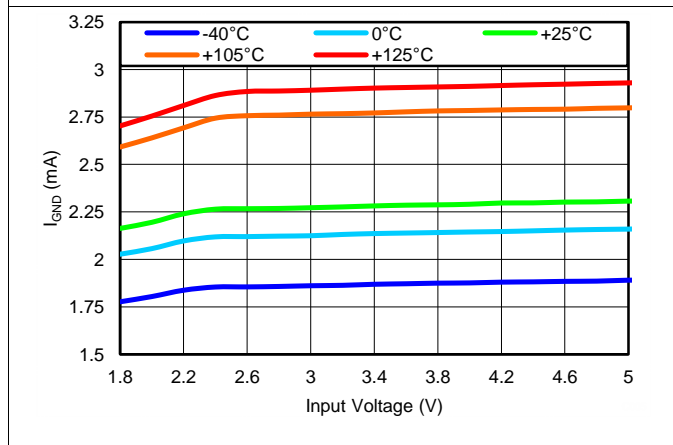


Figure 5. Ground Current vs Input Voltage

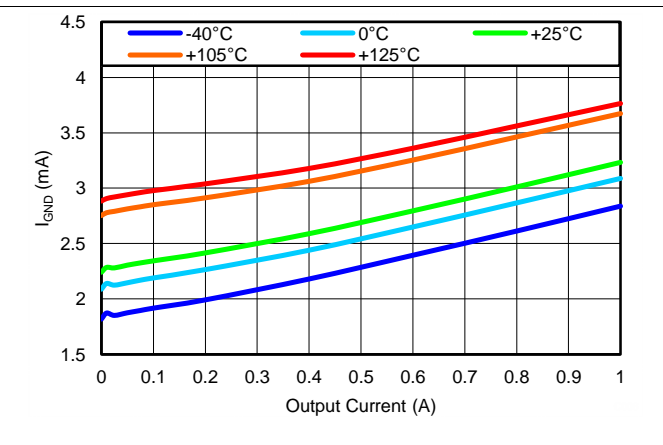


Figure 6. Ground Current vs Output Current

Typical Characteristics (continued)

At $V_{IN} = 3.6\text{ V}$, $R_{NR} = \infty$ (not connected), $I_{OUT} = 10\text{ mA}$, $V_{EN} = V_{IN}$, $C_{OUT} = 10\text{ }\mu\text{F}$, $C_{IN} = 10\text{ }\mu\text{F}$, and $C_{NR} = 0.1\text{ }\mu\text{F}$, unless otherwise noted.

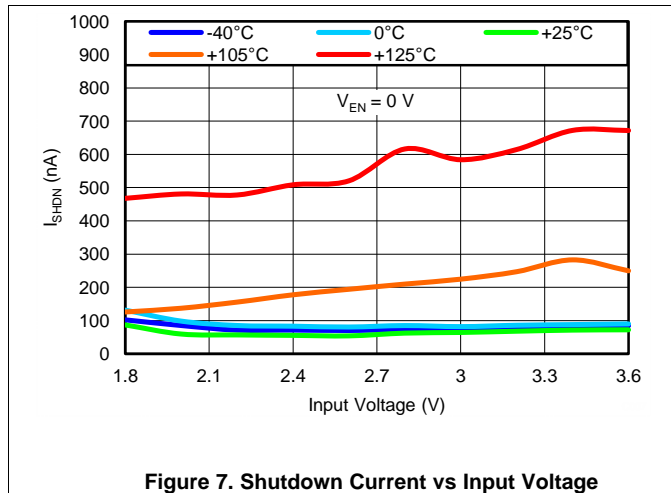


Figure 7. Shutdown Current vs Input Voltage

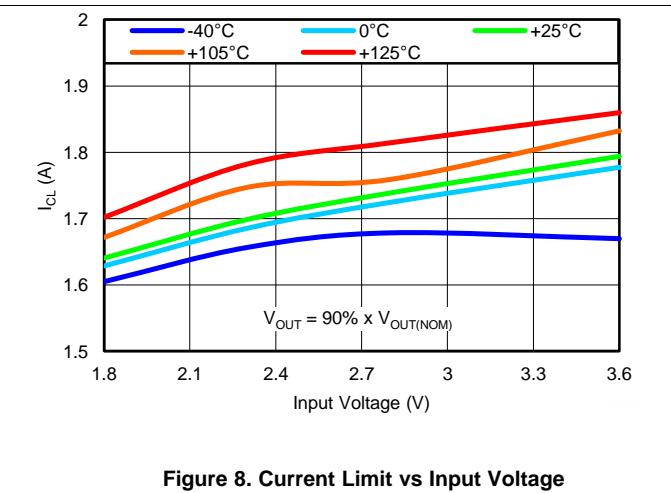


Figure 8. Current Limit vs Input Voltage

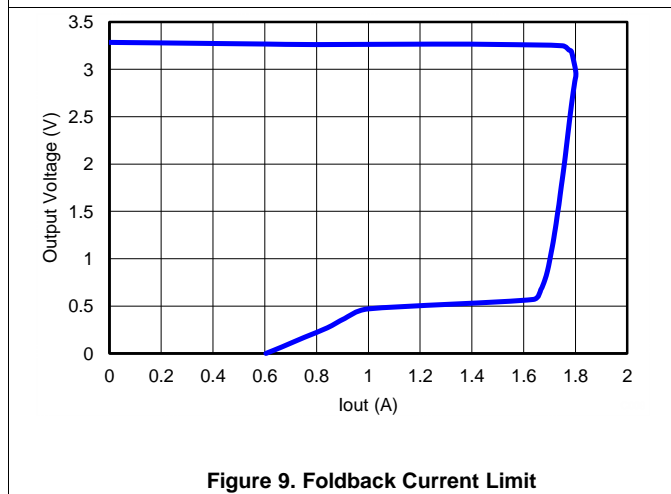


Figure 9. Foldback Current Limit

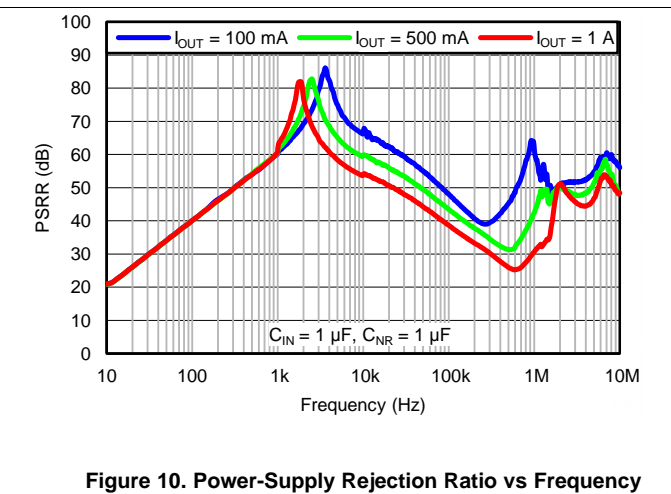


Figure 10. Power-Supply Rejection Ratio vs Frequency

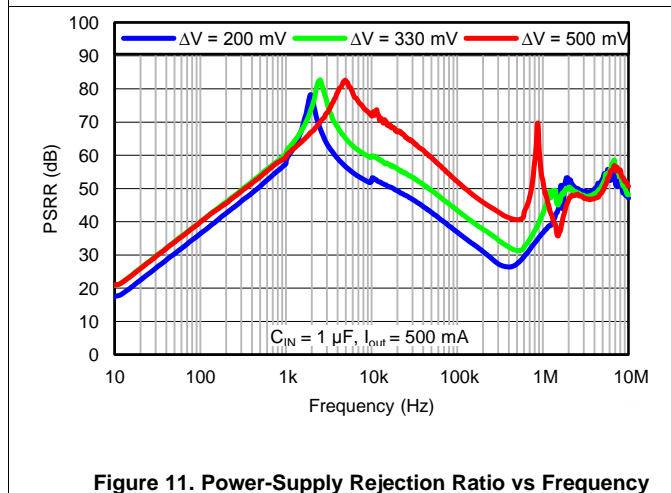


Figure 11. Power-Supply Rejection Ratio vs Frequency

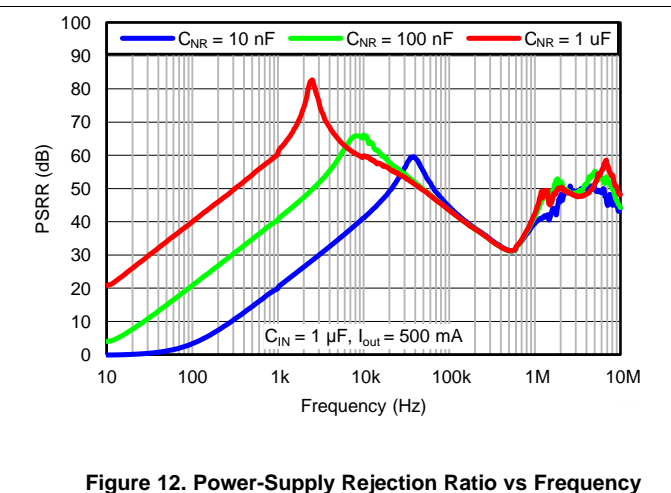


Figure 12. Power-Supply Rejection Ratio vs Frequency

Typical Characteristics (continued)

At $V_{IN} = 3.6\text{ V}$, $R_{NR} = \infty$ (not connected), $I_{OUT} = 10\text{ mA}$, $V_{EN} = V_{IN}$, $C_{OUT} = 10\text{ }\mu\text{F}$, $C_{IN} = 10\text{ }\mu\text{F}$, and $C_{NR} = 0.1\text{ }\mu\text{F}$, unless otherwise noted.

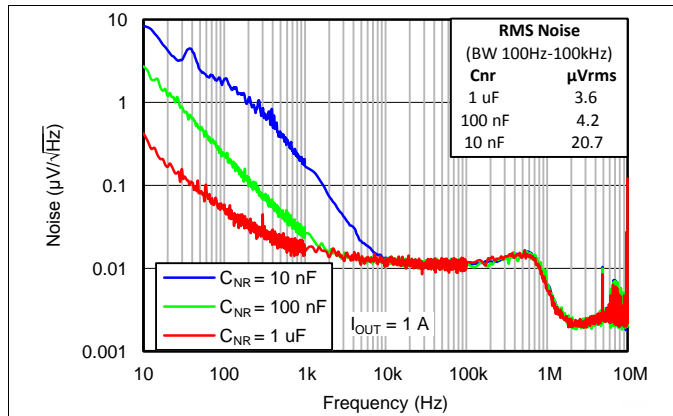


Figure 13. Spectral Noise Density vs Frequency

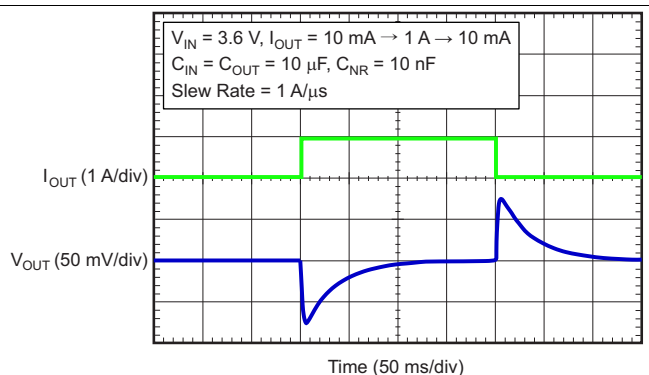


Figure 14. Load Transient Response

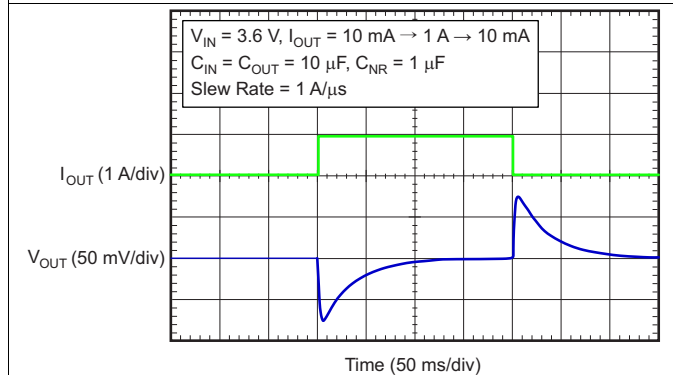


Figure 15. Load Transient Response

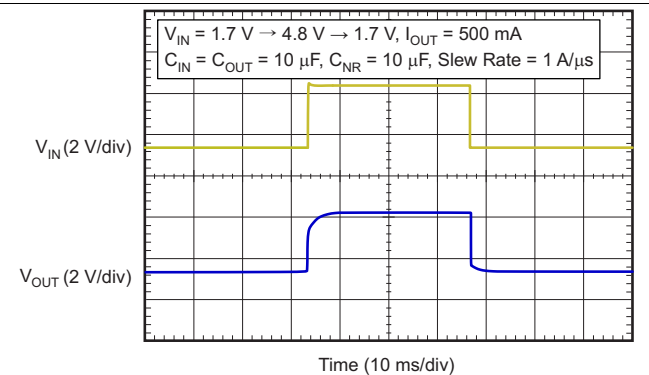


Figure 16. Line Transient Response

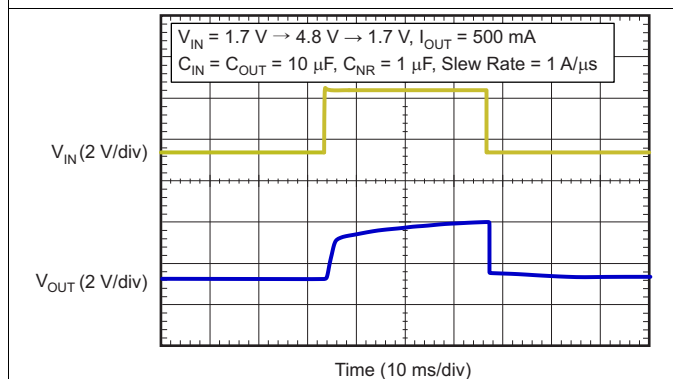


Figure 17. Line Transient Response

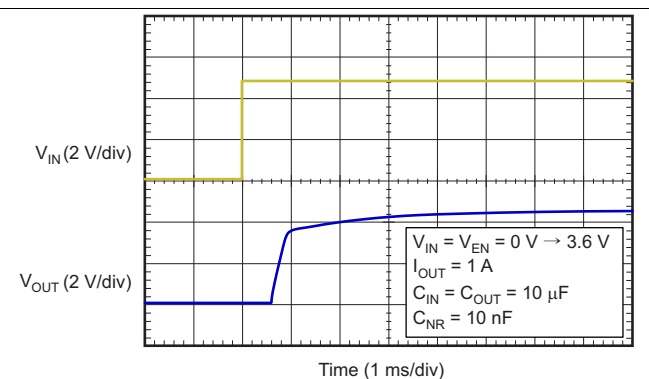
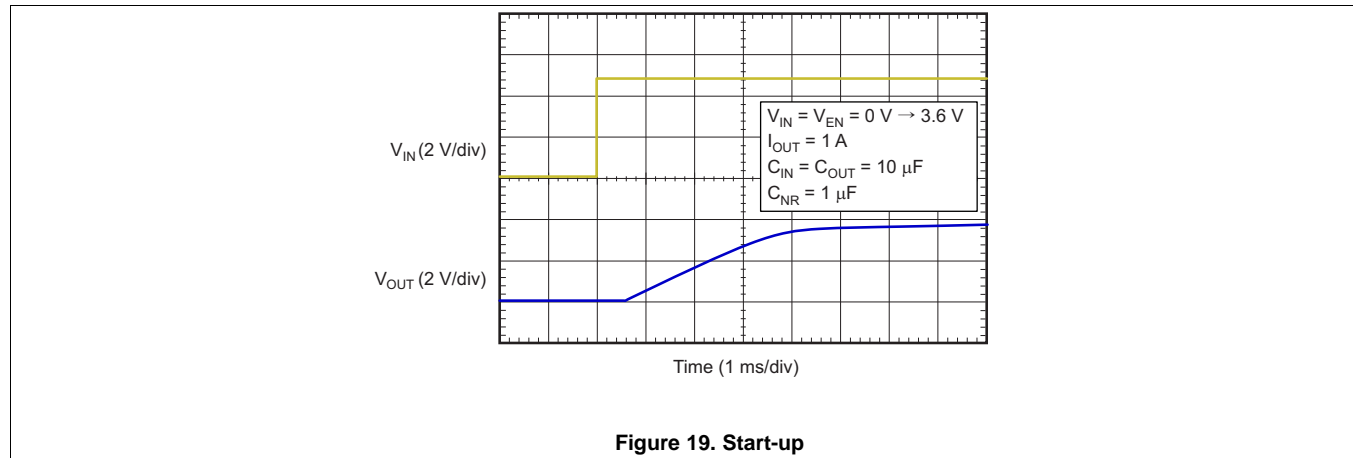


Figure 18. Start-up

Typical Characteristics (continued)

At $V_{IN} = 3.6\text{ V}$, $R_{NR} = \infty$ (not connected), $I_{OUT} = 10\text{ mA}$, $V_{EN} = V_{IN}$, $C_{OUT} = 10\text{ }\mu\text{F}$, $C_{IN} = 10\text{ }\mu\text{F}$, and $C_{NR} = 0.1\text{ }\mu\text{F}$, unless otherwise noted.



7 Detailed Description

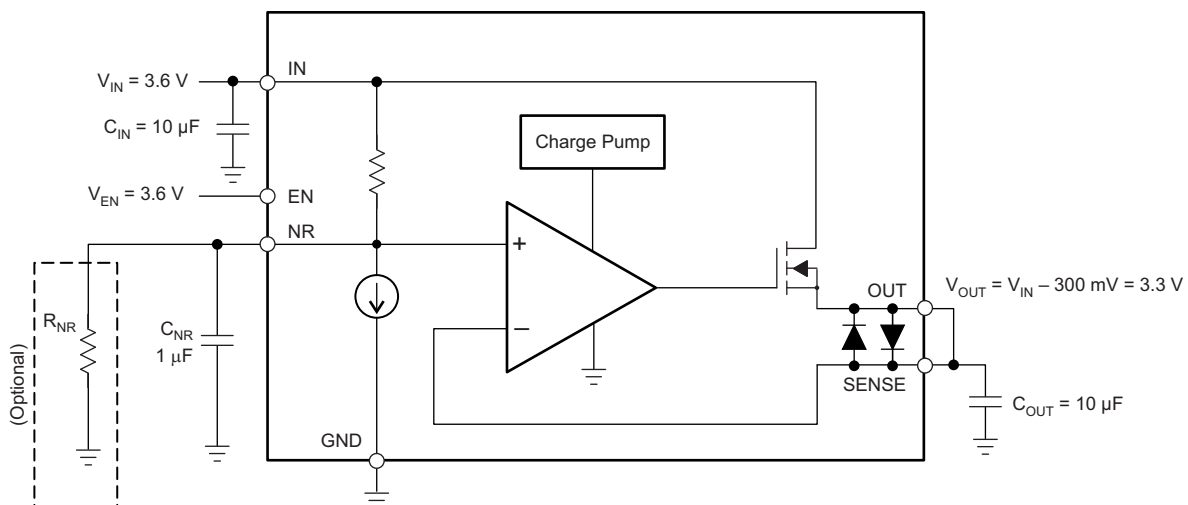
7.1 Overview

The TPS7A3501 is a positive-voltage, low-noise ($3.8\text{-}\mu\text{V}_{\text{RMS}}$) power filter capable of sourcing a 1-A load. Power filters such as the TPS7A3501 provide voltage regulation across the input and output terminals with high accuracy and power-supply rejection ratio. The device is ideally suited as a noise filter for 4.5-V, 3.3-V, and 1.8-V supplies up to 1-A loads.

The input-to-output voltage drop is also user-programmable, from 200 mV up to 500 mV, with an external resistor. If no resistor is used, the TPS7A3501 provides 330 mV of input-to-output voltage regulation.

The TPS7A3501 is stable with 10- μF ceramic input and output capacitors and a 10-nF ceramic noise-reduction capacitor. The device is fully specified over a wide temperature range of -40°C to 125°C and is offered in a low thermal resistance, 2-mm \times 2-mm, 6-pin WSON package.

7.2 Functional Block Diagram



7.3 Feature Description

7.3.1 Power Filter Operation

A power filter is very similar to a low-dropout (LDO) regulator, except that instead of regulating output voltage relative to ground, the power filter regulates output voltage relative to V_{IN} . In other words, a power filter maintains a fixed ΔV from input to output. The device is optimized for high PSRR with a low V_{IN} -to- V_{OUT} delta, leading to a lower power dissipation than standard LDOs. Unlike a standard LDO, the bandgap and noise associated with the device are never gained up, resulting in low output noise regardless of V_{OUT} . The external noise capacitor on the power filter lets the user set the frequency at which the power filter starts to reject noise from the input. [Table 1](#) summarizes the differences between a power filter and a high-performance LDO.

Table 1. Power Filter vs LDO Characteristics

PARAMETER	POWER FILTER	LDO
Voltage regulation	Regulates input-to-output delta. Voltage delta can be set from 0.2 V to 0.5 V. Relies on the upstream power rail to set the output voltage.	Regulates the output voltage referenced to ground. Outputs any output voltage within the output voltage range (limited by power dissipation).
PSRR	High PSRR at typical switching frequencies of DC-DC converters with lower power dissipation. Lower PSRR at low frequencies.	High PSRR over broad bandwidth. Effective rejection of low-frequency noise and switching noise from DC-DC.
Noise	Lower noise, 3.8 μ V. Noise is not gained up when V_{OUT} increases.	Low noise (typically in the range of 5 μ V _{RMS} to 20 μ V _{RMS}). Noise is gained up when V_{OUT} increases.
Power dissipation	High PSRR can be achieved with only 330 mV from V_{IN} to V_{OUT} .	Typically requires 750 mV to 1 V of V_{IN} -to- V_{OUT} delta to achieve high PSRR.

7.3.2 Minimum Load

The device is stable without an output load.

7.3.3 Shutdown

The enable pin (EN) is active high and compatible with standard and low-voltage TTL-CMOS levels. The enable pin voltage level is independent of input voltage and can be biased to a higher value than V_{IN} as long as EN is within the maximum specification. When shutdown capability is not required, EN can be connected to IN.

7.3.4 Internal Current Limit

The device has an internal foldback current limit that helps protect the power filter during fault conditions. The current supplied by the device is gradually reduced when the output voltage decreases. When the output is shorted to GND, the LDO supplies a typical current of 550 mA. When in current limit, the output voltage is not regulated and $V_{OUT} = I_{OUT} \times R_{LOAD}$. For reliable operation, do not operate the device in current limit for extended periods of time.

Because of the nature of the foldback current limit circuitry, if OUT is forced below 0 V before EN goes high, the device may not start up. To ensure proper start-up in applications that have both a positive and negative voltage rail, extra care must be taken to ensure that OUT is greater than or equal to 0 V. There are several ways to help ensure proper start-up for dual-rail applications:

- Enable the device before the negative rail and disable the device after the negative rail.
- Delaying the EN voltage with respect to IN voltage allows the internal pulldown resistor to discharge any residual voltage at OUT.
- If a faster discharge rate is required, or if EN is tied directly to IN, an external resistor from OUT to GND can be used.

7.3.5 Reverse Current

The TPS7A3501 has a built-in body diode that conducts current when the voltage at OUT exceeds the voltage at IN. This current is not internally limited, so if reverse voltage conditions are anticipated, external limiting is required.

If there are potential situations where reverse current is expected, place a diode from OUT to IN, as shown in [Figure 20](#).

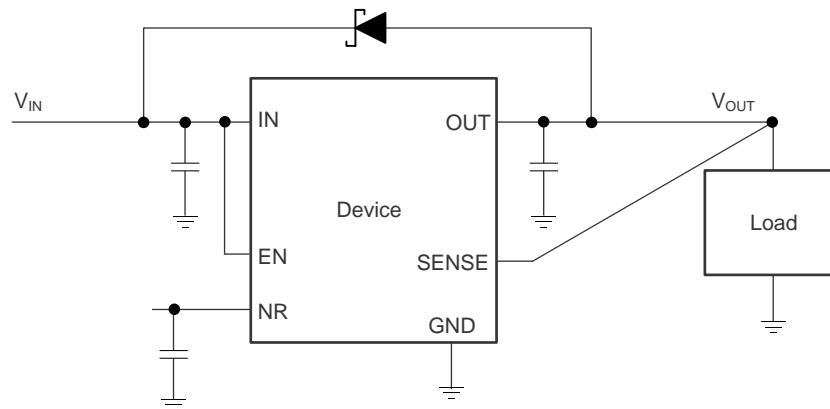


Figure 20. Reverse Current Protection Schematic

7.3.6 Undervoltage Lockout (UVLO)

The device uses an undervoltage lockout circuit to keep the output shut off until the internal circuitry is operating properly, ensuring a well-controlled start-up.

7.3.7 Thermal Protection

Thermal protection disables the output when the junction temperature rises to approximately 160°C, allowing the device to cool. When the junction temperature cools to approximately 140°C, the output circuitry is again enabled. Depending on power dissipation, thermal resistance, and ambient temperature, the thermal protection circuit may cycle on and off. This cycling limits device power dissipation, thus protecting the device from damage resulting from overheating.

Any activation of the thermal protection circuit indicates excessive power dissipation or inadequate thermal dissipation on the PCB. For reliable operation, limit junction temperature to 125°C (maximum). To estimate the margin of safety in a complete design, increase the ambient temperature until the thermal protection is triggered using worst-case loads and signal conditions. For good reliability, thermal protection should trigger at least 35°C above the maximum expected ambient condition of the application. This configuration produces a worst-case junction temperature of 125°C at the highest-expected ambient temperature and worst-case load.

The device internal protection circuitry is designed to protect against overload conditions. This circuitry is not intended to replace proper heat-sinking or thermal dissipation on the PCB. Continuously running the device into thermal shutdown degrades device reliability.

7.4 Device Functional Modes

Table 2 provides a quick comparison between the normal, dropout, and disabled modes of operation.

Table 2. Device Functional Mode Comparison

OPERATING MODE	PARAMETER			
	V _{IN}	EN	I _{OUT}	T _J
Normal	1.71 ≤ V _{IN} ≤ 5	V _{EN} > V _{EN(HI)}	I _{OUT} < I _{CL}	T _J < T _{sd}
Disabled	—	V _{EN} < V _{EN(LO)}	—	T _J > T _{sd}

7.4.1 Normal Operation

The device functions as a fixed voltage drop filter under the following conditions:

- The input voltage is within the specified operating range of 1.71 V to 5 V.
- The enable voltage has previously exceeded the enable rising threshold voltage and not yet decreased below the enable falling threshold.
- The output current is less than the current limit (I_{OUT} < I_{CL}).
- The device junction temperature is less than the thermal shutdown temperature (T_J < T_{sd}).

7.4.2 Disabled

The device is disabled under the following conditions:

- The enable voltage is less than the enable falling threshold voltage or has not yet exceeded the enable rising threshold.
- The device junction temperature is greater than the thermal shutdown temperature ($T_J > T_{sd}$).

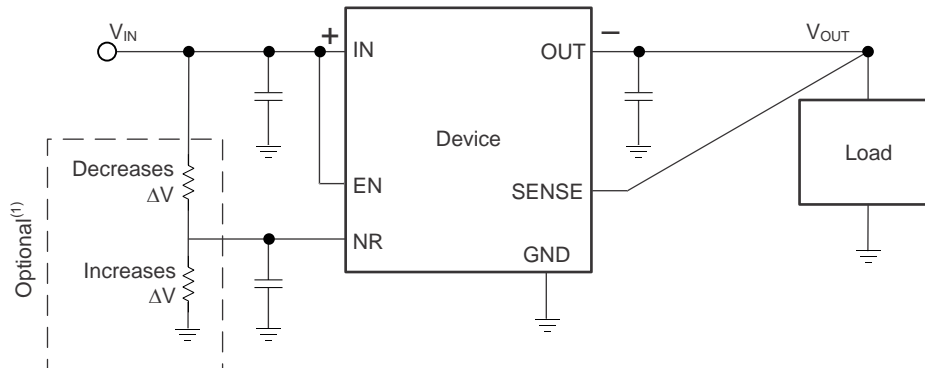
8 Application and Implementation

NOTE

Information in the following applications sections is not part of the TI component specification, and TI does not warrant its accuracy or completeness. TI's customers are responsible for determining suitability of components for their purposes. Customers should validate and test their design implementation to confirm system functionality.

8.1 Application Information

The TPS7A3501 is well-suited for use as a filter for switching power supplies. The high PSRR of the device significantly reduces the ripple caused by the switching frequency as well as the subsequent harmonic frequencies. [Figure 21](#) shows the basic circuit connections for the TPS7A3501. The IN pin should be connected to a well-regulated power source, typically a switching power supply.



(1) Refer to [Table 4](#).

Figure 21. Basic Circuit Connections

8.2 Typical Application

[Figure 22](#) shows a schematic for filtering the output of a switching regulator using the TPS7A3501 to power an analog-to-digital converter (ADC).

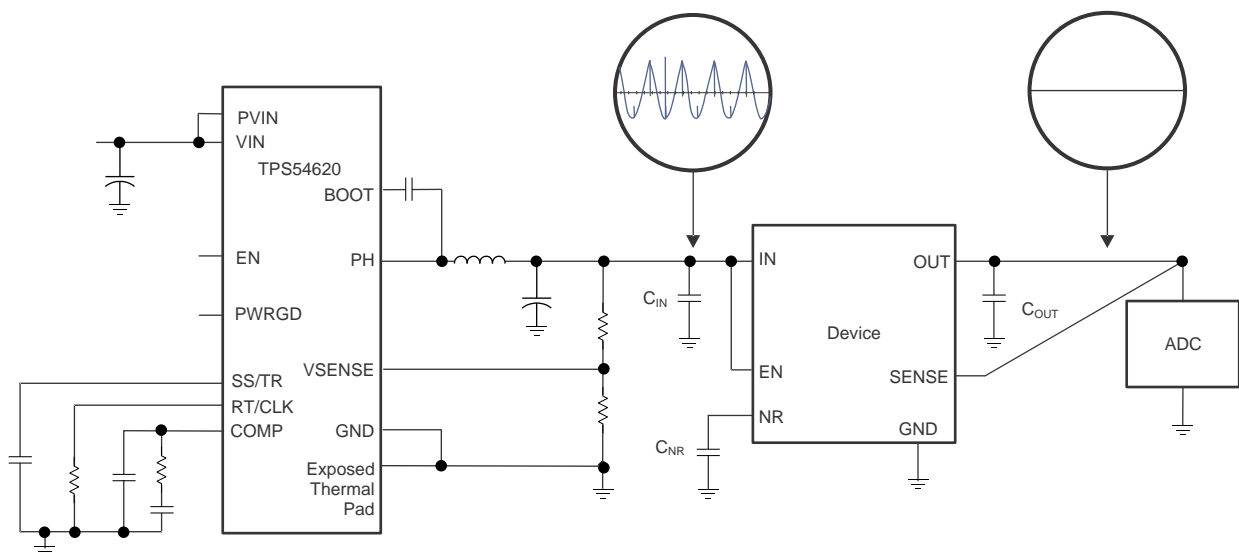


Figure 22. Typical Application Schematic

Typical Application (continued)

8.2.1 Design Requirements

Table 3 shows the design requirements.

Table 3. Design Requirements

PARAMETER	DESIGN REQUIREMENT
Input voltage	3.63 V
Output voltage	3.3 V
100-Hz to 100-kHz RMS noise	< 4 μV_{RMS}
Maximum output current	700 mA

8.2.2 Detailed Design Procedure

Select the input and output capacitors to be at least 10 μF for stability. Select a value for R_{NR} to give the desired voltage drop. For this example of a 330-mV voltage drop, no external resistor on the NR pin is required. Pick a value for C_{NR} greater than 10 nF, but large enough to provide the required noise performance. Refer to Table 5 for guidelines on selecting C_{NR} for a desired RMS noise target. For this example, to achieve an RMS noise (100 Hz to 100 kHz) less than 4 μV_{RMS} , the noise reduction capacitor must be at least 1 μF .

8.2.2.1 Adjustable Voltage Drop

In the TPS7A3501, the nominal voltage drop (ΔV) from IN to OUT is 330 mV. ΔV can be adjusted from this nominal setting with an external resistor. By connecting a resistor from the NR pin to IN, ΔV can be decreased to as low as 200 mV. By connecting a resistor from the NR pin to GND, ΔV can be increased to as high as 500 mV. The ability to change ΔV allows for the creation of standard voltage rails from higher voltage rails (for example, 2.5 V from 3 V, 1.5 V from 1.8 V, and so forth).

By connecting a resistor from the NR pin to IN, ΔV can be decreased to as low as 200 mV. Use Equation 1 to determine the size of the resistor required to set ΔV .

$$R = \Delta\text{V} / (0.33 - \Delta\text{V}) \times 150,000 \Omega \quad (1)$$

By connecting a resistor from the NR pin to GND, ΔV can be increased to as high as 500 mV. Use Equation 2 to determine the size of the resistor required to set ΔV .

$$R = V_{\text{OUT}} / (\Delta\text{V} - 0.33) \times 150,000 \Omega \quad (2)$$

Table 4 lists the standard external resistor values required for different input-to-output voltage drops.

Table 4. Common Input-to-Output Voltage Drops

ΔV (mV)	V_{OUT}	R TO V_{IN}	R TO GND
200	Any	240 k Ω	Do not install
330	Any	Do not install	Do not install
400	3.3 V	Do not install	6.8 M Ω
	2.5 V	Do not install	5.1 M Ω
	1.8 V	Do not install	3.9 M Ω
500	3.3 V	Do not install	3 M Ω
	2.5 V	Do not install	2.2 M Ω
	1.8 V	Do not install	1.6 M Ω

8.2.2.2 Input and Output Capacitor Requirements

Ceramic 10- μF or larger input and output capacitors are required to assure proper device operation. This capacitor counteracts reactive source impedances, improving supply transient response and decreasing input ripple. Higher-value capacitors may be used if large, fast slew rate load transients are anticipated, or if the device is located several inches away from the power source. To assure correct device operation, there should be no more than 100 μF of capacitance on the output of the device, including capacitance from downstream bypass capacitors.

TI recommends X5R- and X7R-type ceramic capacitors because these types of capacitors have minimal variation in value and equivalent series resistance (ESR) overtemperature. Other types of capacitors, such as electrolytic or tantalum, can make the device unstable.

8.2.2.3 Output Noise

A 10-nF, or higher, noise-reduction capacitor is required to assure stability. Using a 1- μ F ceramic capacitor minimizes output noise (see [Figure 13](#)). To assure correct device operation, a maximum capacitor of 2.2 μ F can be connected to NR.

8.2.2.4 Power-Supply Rejection Ratio (PSRR)

Unlike standard LDOs, the TPS7A3501 PSRR is significantly affected by the noise-reduction capacitor. The larger the noise-reduction capacitor, the higher the PSRR is for frequencies below 10 kHz. Using a 1- μ F ceramic capacitor maximizes PSRR.

One of the most compelling features of the TPS7A3501 is its high PSRR capabilities. The rejection ratio for this device is lower than standard LDOs at frequencies below 1 kHz but becomes higher at higher frequencies. For better low-frequency PSRR performance, a larger noise-reduction capacitor can be used. TI recommends connecting a 1- μ F ceramic capacitor to NR to maximize PSRR (see [Figure 12](#)). A higher input-to-output voltage difference also increases the device rejection ratio. Although the device maximizes rejection ratio at 500 mV, high rejection ratio can still be achieved with as little as a 330-mV input-to-output voltage differential, unlike most standard LDOs.

8.2.2.5 Start-up

Because adding a noise-reduction capacitor leads to the formation of an RC filter, start-up time and the rate at which the device tracks V_{IN} are increased. Thus, consider the tradeoff between start-up time, noise, and PSRR when selecting a noise-reduction capacitor to use with the TPS7A3501. Use [Equation 3](#) to calculate the typical start-up time.

$$T_{\text{startup}} = 250,000 \times C_{\text{NR}} \text{ (s)} \quad (3)$$

[Table 5](#) shows the effect of various noise-reduction capacitors on RMS noise (with a 100-Hz to 100-kHz bandwidth), PSRR (at 1 kHz), and start-up time.

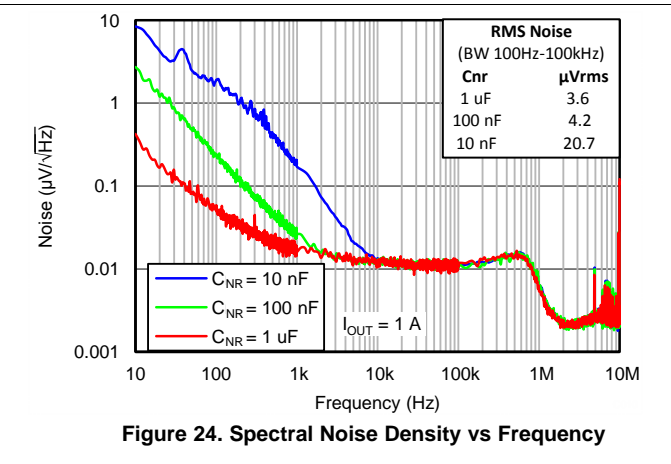
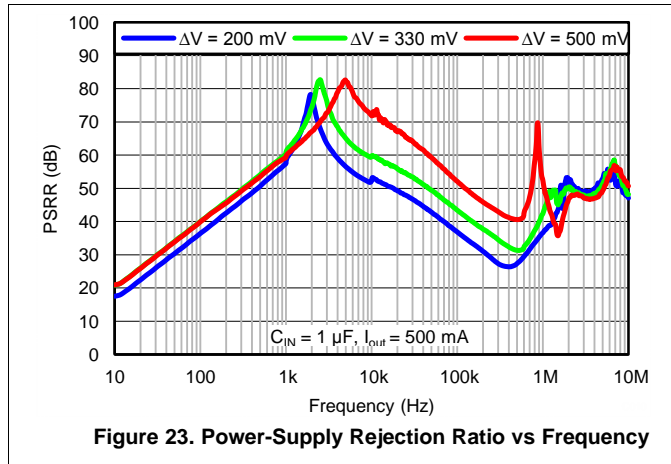
Table 5. Effect of Various Filter Capacitors

FILTER CAPACITOR	RMS NOISE (BW 100 Hz to 100 kHz)	PSRR (at 1 kHz)	START-UP TIME (EN to 90% of V_{OUT})
1 μ F	3.62 μ V	60 dB	250 ms
100 nF	4.21 μ V	40 dB	25 ms
10 nF	20.70 μ V	20 dB	3 ms

8.2.2.6 Transient Response

Increasing the size of the output capacitor reduces overshoot and undershoot magnitude during transients; however this size increase also slows the recovery from these transients.

8.2.3 Application Curves



8.3 Do's and Don'ts

Place at least 10-μF ceramic capacitors on both the IN and OUT pins of the device, as close as possible to the pins of the regulator.

Do not place the input or output capacitor more than 10 mm away from the regulator.

Connect a 10-nF or greater, low-equivalent series resistance (ESR) capacitor across the NR pin and GND of the regulator. Larger capacitors provide lower noise performance.

Do not use a capacitor larger than 2.2 μF on the NR pin.

Do not exceed the absolute maximum ratings.

9 Power Supply Recommendations

For best performance, connect a low-output impedance power supply directly to the IN pin of the device. Inductive impedances between the input supply and the IN pin create significant voltage excursions at the IN pin.

10 Layout

10.1 Layout Guidelines

Input and output capacitors should be placed as close to the device pins as possible. TI recommends that all components be on the same side of the printed-circuit-board (PCB) as the device. Using long, thin traces or vias to connect the device to external components is highly discouraged because this practice leads to parasitic inductances, which in turn degrade noise, PSRR, and transient response. For an example layout, refer to the *TPS7A3501EVM-547 Evaluation Module User Guide* ([SLVU921](#)).

10.2 Layout Example

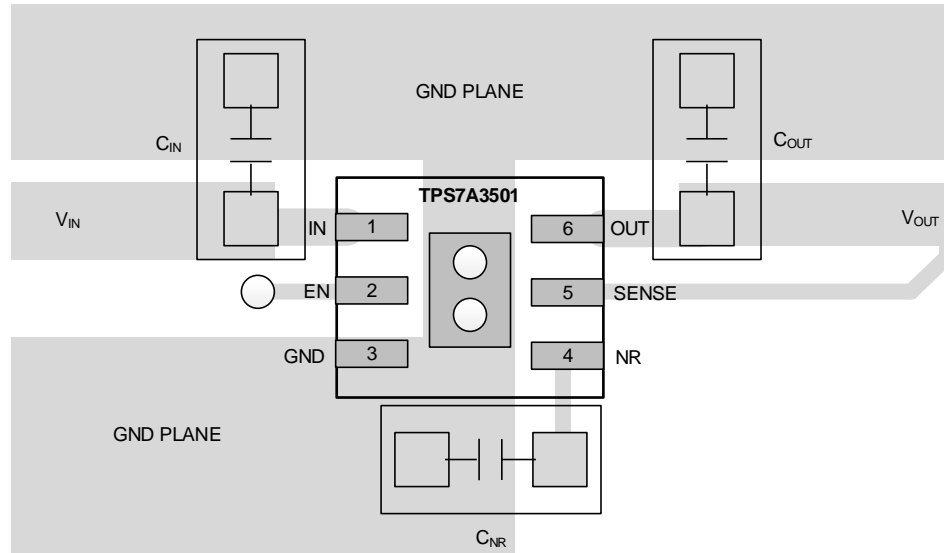


Figure 25. PCB Layout Example (DRV Package)

10.3 Power Dissipation

Knowing the device power dissipation and proper sizing of the thermal plane connected to the tab or pad is critical to avoiding thermal shutdown and ensuring reliable operation. Device power dissipation depends on input voltage and load conditions and can be calculated with [Equation 4](#):

$$P_D = (V_{IN} - V_{OUT}) \times I_{OUT} \quad (4)$$

Power dissipation can be minimized and greater efficiency can be achieved by using the lowest available voltage drop option of 200 mV. However, keep in mind that higher voltage drops result in better PSRR performance.

On the WSON (DRV) package, the primary conduction path for heat is through the exposed power pad to the PCB. To ensure the device does not overheat, connect the pad to ground with an appropriate amount of copper PCB area through vias.

The maximum power dissipation determines the maximum allowable junction temperature (T_J) for the device. Power dissipation and junction temperature are most often related by the junction-to-ambient thermal resistance (θ_{JA}) of the combined PCB and device package and the temperature of the ambient air (T_A), according to [Equation 5](#):

$$T_J = T_A + (\theta_{JA} \times P_D) \quad (5)$$

Unfortunately, this thermal resistance (θ_{JA}) is highly dependent on the heat-spreading capability of the particular PCB design, and therefore varies according to the total copper area, copper weight, and location of the planes. The θ_{JA} recorded in the table is determined by the JEDEC standard for PCB and copper-spreading area and is to be used only as a relative measure of package thermal performance. For a well-designed thermal layout, θ_{JA} is actually the sum of the package junction-to-case (bottom) thermal resistance (θ_{Jcbot}) plus the thermal resistance contribution by the PCB copper.

10.4 Estimating Junction Temperature

The JEDEC standard now recommends the use of psi (Ψ) thermal metrics to estimate the junction temperatures of the power filter on a typical PCB board application. These metrics are not strictly speaking thermal resistances, but rather offer practical and relative means of estimating junction temperatures. These psi metrics are determined to be significantly independent of copper-spreading area. The key thermal metrics (Ψ_{JT} and Ψ_{JB}) are given in the table and are used in accordance with [Equation 6](#).

$$\Psi_{JT}: T_J = T_T + \Psi_{JT} \times P_D$$

$$\Psi_{JB}: T_J = T_B + \Psi_{JB} \times P_D$$

where:

- P_D is the power dissipated as explained in [Equation 4](#),
 - T_T is the temperature at the center-top of the device package, and
 - T_B is the PCB surface temperature measured 1 mm from the device package and centered on the package edge.
- (6)

11 Device and Documentation Support

11.1 Device Support

11.1.1 Development Support

11.1.1.1 Evaluation Modules

An evaluation module (EVM) is available to assist in the initial circuit performance evaluation using the TPS7A3501. The [TPS7A3501EVM-547 evaluation module](#) (and [related user guide](#)) can be requested at the Texas Instruments website through the product folder or purchased directly from [the TI eStore](#).

11.1.1.2 Spice Models

Computer simulation of circuit performance using SPICE is often useful when analyzing the performance of analog circuits and systems. A SPICE model for the TPS7A3501 is available through the product folder under *Tools & Software*.

11.2 Documentation Support

11.2.1 Related Documentation

- *TPS7A3501EVM-547 User's Guide*, [SLVU921](#).

11.3 Trademarks

PowerPAD is a trademark of Texas Instruments.
All other trademarks are the property of their respective owners.

11.4 Electrostatic Discharge Caution



This integrated circuit can be damaged by ESD. Texas Instruments recommends that all integrated circuits be handled with appropriate precautions. Failure to observe proper handling and installation procedures can cause damage.

ESD damage can range from subtle performance degradation to complete device failure. Precision integrated circuits may be more susceptible to damage because very small parametric changes could cause the device not to meet its published specifications.

11.5 Glossary

[SLYZ022](#) — *TI Glossary*.

This glossary lists and explains terms, acronyms, and definitions.

12 Mechanical, Packaging, and Orderable Information

The following pages include mechanical, packaging, and orderable information. This information is the most current data available for the designated devices. This data is subject to change without notice and revision of this document. For browser-based versions of this data sheet, refer to the left-hand navigation.

PACKAGING INFORMATION

Orderable Device	Status (1)	Package Type	Package Drawing	Pins	Package Qty	Eco Plan (2)	Lead/Ball Finish (6)	MSL Peak Temp (3)	Op Temp (°C)	Device Marking (4/5)	Samples
TPS7A3501DRVR	ACTIVE	WSO	DRV	6	3000	Green (RoHS & no Sb/Br)	CU NIPDAU	Level-2-260C-1 YEAR	-40 to 125	SIQ	Samples
TPS7A3501DRVT	ACTIVE	WSO	DRV	6	250	Green (RoHS & no Sb/Br)	CU NIPDAU	Level-2-260C-1 YEAR	-40 to 125	SIQ	Samples

(1) The marketing status values are defined as follows:

ACTIVE: Product device recommended for new designs.

LIFEBUY: TI has announced that the device will be discontinued, and a lifetime-buy period is in effect.

NRND: Not recommended for new designs. Device is in production to support existing customers, but TI does not recommend using this part in a new design.

PREVIEW: Device has been announced but is not in production. Samples may or may not be available.

OBSELETE: TI has discontinued the production of the device.

(2) Eco Plan - The planned eco-friendly classification: Pb-Free (RoHS), Pb-Free (RoHS Exempt), or Green (RoHS & no Sb/Br) - please check <http://www.ti.com/productcontent> for the latest availability information and additional product content details.

TBD: The Pb-Free/Green conversion plan has not been defined.

Pb-Free (RoHS): TI's terms "Lead-Free" or "Pb-Free" mean semiconductor products that are compatible with the current RoHS requirements for all 6 substances, including the requirement that lead not exceed 0.1% by weight in homogeneous materials. Where designed to be soldered at high temperatures, TI Pb-Free products are suitable for use in specified lead-free processes.

Pb-Free (RoHS Exempt): This component has a RoHS exemption for either 1) lead-based flip-chip solder bumps used between the die and package, or 2) lead-based die adhesive used between the die and leadframe. The component is otherwise considered Pb-Free (RoHS compatible) as defined above.

Green (RoHS & no Sb/Br): TI defines "Green" to mean Pb-Free (RoHS compatible), and free of Bromine (Br) and Antimony (Sb) based flame retardants (Br or Sb do not exceed 0.1% by weight in homogeneous material)

(3) MSL, Peak Temp. - The Moisture Sensitivity Level rating according to the JEDEC industry standard classifications, and peak solder temperature.

(4) There may be additional marking, which relates to the logo, the lot trace code information, or the environmental category on the device.

(5) Multiple Device Markings will be inside parentheses. Only one Device Marking contained in parentheses and separated by a "~" will appear on a device. If a line is indented then it is a continuation of the previous line and the two combined represent the entire Device Marking for that device.

(6) Lead/Ball Finish - Orderable Devices may have multiple material finish options. Finish options are separated by a vertical ruled line. Lead/Ball Finish values may wrap to two lines if the finish value exceeds the maximum column width.

Important Information and Disclaimer:The information provided on this page represents TI's knowledge and belief as of the date that it is provided. TI bases its knowledge and belief on information provided by third parties, and makes no representation or warranty as to the accuracy of such information. Efforts are underway to better integrate information from third parties. TI has taken and continues to take reasonable steps to provide representative and accurate information but may not have conducted destructive testing or chemical analysis on incoming materials and chemicals. TI and TI suppliers consider certain information to be proprietary, and thus CAS numbers and other limited information may not be available for release.

In no event shall TI's liability arising out of such information exceed the total purchase price of the TI part(s) at issue in this document sold by TI to Customer on an annual basis.

TAPE AND REEL INFORMATION



QUADRANT ASSIGNMENTS FOR PIN 1 ORIENTATION IN TAPE



*All dimensions are nominal

Device	Package Type	Package Drawing	Pins	SPQ	Reel Diameter (mm)	Reel Width W1 (mm)	A0 (mm)	B0 (mm)	K0 (mm)	P1 (mm)	W (mm)	Pin1 Quadrant
TPS7A3501DRVR	WSON	DRV	6	3000	180.0	8.4	2.3	2.3	1.15	4.0	8.0	Q2
TPS7A3501DRVT	WSON	DRV	6	250	180.0	8.4	2.3	2.3	1.15	4.0	8.0	Q2

TAPE AND REEL BOX DIMENSIONS


*All dimensions are nominal

Device	Package Type	Package Drawing	Pins	SPQ	Length (mm)	Width (mm)	Height (mm)
TPS7A3501DRVR	WSON	DRV	6	3000	210.0	185.0	35.0
TPS7A3501DRVT	WSON	DRV	6	250	210.0	185.0	35.0

GENERIC PACKAGE VIEW

DRV 6

WSON - 0.8 mm max height

PLASTIC SMALL OUTLINE - NO LEAD



Images above are just a representation of the package family, actual package may vary.
Refer to the product data sheet for package details.

4206925/F



4222173/B 04/2018

NOTES:

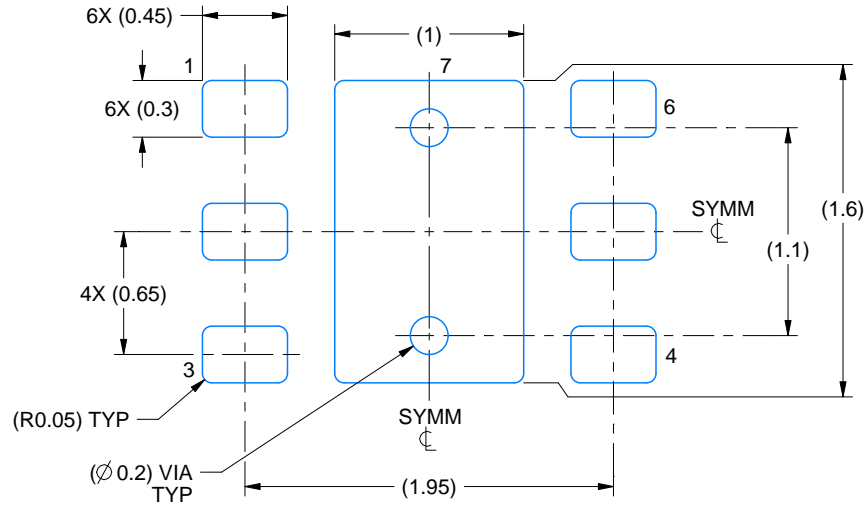
1. All linear dimensions are in millimeters. Any dimensions in parenthesis are for reference only. Dimensioning and tolerancing per ASME Y14.5M.
2. This drawing is subject to change without notice.
3. The package thermal pad must be soldered to the printed circuit board for thermal and mechanical performance.

EXAMPLE BOARD LAYOUT

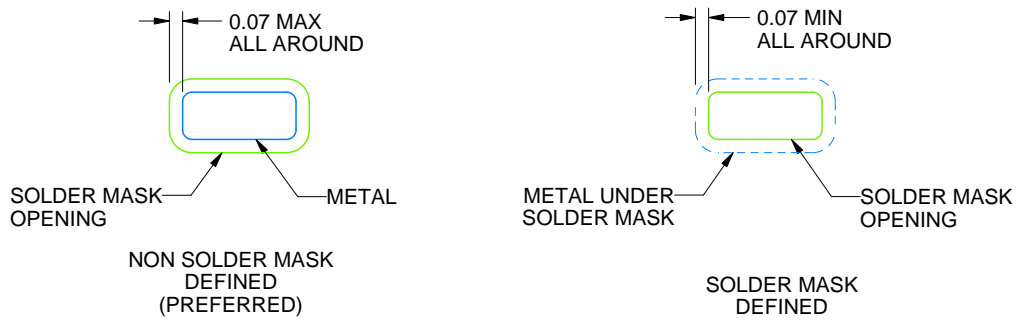
DRV0006A

WSON - 0.8 mm max height

PLASTIC SMALL OUTLINE - NO LEAD



LAND PATTERN EXAMPLE
SCALE:25X



SOLDER MASK DETAILS

4222173/B 04/2018

NOTES: (continued)

4. This package is designed to be soldered to a thermal pad on the board. For more information, see Texas Instruments literature number SLUA271 (www.ti.com/lit/sl原因271).
5. Vias are optional depending on application, refer to device data sheet. If some or all are implemented, recommended via locations are shown.

EXAMPLE STENCIL DESIGN

DRV0006A

WSON - 0.8 mm max height

PLASTIC SMALL OUTLINE - NO LEAD



SOLDER PASTE EXAMPLE
BASED ON 0.125 mm THICK STENCIL

EXPOSED PAD #7
88% PRINTED SOLDER COVERAGE BY AREA UNDER PACKAGE
SCALE:30X

4222173/B 04/2018

NOTES: (continued)

6. Laser cutting apertures with trapezoidal walls and rounded corners may offer better paste release. IPC-7525 may have alternate design recommendations.

IMPORTANT NOTICE

Texas Instruments Incorporated (TI) reserves the right to make corrections, enhancements, improvements and other changes to its semiconductor products and services per JESD46, latest issue, and to discontinue any product or service per JESD48, latest issue. Buyers should obtain the latest relevant information before placing orders and should verify that such information is current and complete.

TI's published terms of sale for semiconductor products (<http://www.ti.com/sc/docs/stdterms.htm>) apply to the sale of packaged integrated circuit products that TI has qualified and released to market. Additional terms may apply to the use or sale of other types of TI products and services.

Reproduction of significant portions of TI information in TI data sheets is permissible only if reproduction is without alteration and is accompanied by all associated warranties, conditions, limitations, and notices. TI is not responsible or liable for such reproduced documentation. Information of third parties may be subject to additional restrictions. Resale of TI products or services with statements different from or beyond the parameters stated by TI for that product or service voids all express and any implied warranties for the associated TI product or service and is an unfair and deceptive business practice. TI is not responsible or liable for any such statements.

Buyers and others who are developing systems that incorporate TI products (collectively, "Designers") understand and agree that Designers remain responsible for using their independent analysis, evaluation and judgment in designing their applications and that Designers have full and exclusive responsibility to assure the safety of Designers' applications and compliance of their applications (and of all TI products used in or for Designers' applications) with all applicable regulations, laws and other applicable requirements. Designer represents that, with respect to their applications, Designer has all the necessary expertise to create and implement safeguards that (1) anticipate dangerous consequences of failures, (2) monitor failures and their consequences, and (3) lessen the likelihood of failures that might cause harm and take appropriate actions. Designer agrees that prior to using or distributing any applications that include TI products, Designer will thoroughly test such applications and the functionality of such TI products as used in such applications.

TI's provision of technical, application or other design advice, quality characterization, reliability data or other services or information, including, but not limited to, reference designs and materials relating to evaluation modules, (collectively, "TI Resources") are intended to assist designers who are developing applications that incorporate TI products; by downloading, accessing or using TI Resources in any way, Designer (individually or, if Designer is acting on behalf of a company, Designer's company) agrees to use any particular TI Resource solely for this purpose and subject to the terms of this Notice.

TI's provision of TI Resources does not expand or otherwise alter TI's applicable published warranties or warranty disclaimers for TI products, and no additional obligations or liabilities arise from TI providing such TI Resources. TI reserves the right to make corrections, enhancements, improvements and other changes to its TI Resources. TI has not conducted any testing other than that specifically described in the published documentation for a particular TI Resource.

Designer is authorized to use, copy and modify any individual TI Resource only in connection with the development of applications that include the TI product(s) identified in such TI Resource. NO OTHER LICENSE, EXPRESS OR IMPLIED, BY ESTOPPEL OR OTHERWISE TO ANY OTHER TI INTELLECTUAL PROPERTY RIGHT, AND NO LICENSE TO ANY TECHNOLOGY OR INTELLECTUAL PROPERTY RIGHT OF TI OR ANY THIRD PARTY IS GRANTED HEREIN, including but not limited to any patent right, copyright, mask work right, or other intellectual property right relating to any combination, machine, or process in which TI products or services are used. Information regarding or referencing third-party products or services does not constitute a license to use such products or services, or a warranty or endorsement thereof. Use of TI Resources may require a license from a third party under the patents or other intellectual property of the third party, or a license from TI under the patents or other intellectual property of TI.

TI RESOURCES ARE PROVIDED "AS IS" AND WITH ALL FAULTS. TI DISCLAIMS ALL OTHER WARRANTIES OR REPRESENTATIONS, EXPRESS OR IMPLIED, REGARDING RESOURCES OR USE THEREOF, INCLUDING BUT NOT LIMITED TO ACCURACY OR COMPLETENESS, TITLE, ANY EPIDEMIC FAILURE WARRANTY AND ANY IMPLIED WARRANTIES OF MERCHANTABILITY, FITNESS FOR A PARTICULAR PURPOSE, AND NON-INFRINGEMENT OF ANY THIRD PARTY INTELLECTUAL PROPERTY RIGHTS. TI SHALL NOT BE LIABLE FOR AND SHALL NOT DEFEND OR INDEMNIFY DESIGNER AGAINST ANY CLAIM, INCLUDING BUT NOT LIMITED TO ANY INFRINGEMENT CLAIM THAT RELATES TO OR IS BASED ON ANY COMBINATION OF PRODUCTS EVEN IF DESCRIBED IN TI RESOURCES OR OTHERWISE. IN NO EVENT SHALL TI BE LIABLE FOR ANY ACTUAL, DIRECT, SPECIAL, COLLATERAL, INDIRECT, PUNITIVE, INCIDENTAL, CONSEQUENTIAL OR EXEMPLARY DAMAGES IN CONNECTION WITH OR ARISING OUT OF TI RESOURCES OR USE THEREOF, AND REGARDLESS OF WHETHER TI HAS BEEN ADVISED OF THE POSSIBILITY OF SUCH DAMAGES.

Unless TI has explicitly designated an individual product as meeting the requirements of a particular industry standard (e.g., ISO/TS 16949 and ISO 26262), TI is not responsible for any failure to meet such industry standard requirements.

Where TI specifically promotes products as facilitating functional safety or as compliant with industry functional safety standards, such products are intended to help enable customers to design and create their own applications that meet applicable functional safety standards and requirements. Using products in an application does not by itself establish any safety features in the application. Designers must ensure compliance with safety-related requirements and standards applicable to their applications. Designer may not use any TI products in life-critical medical equipment unless authorized officers of the parties have executed a special contract specifically governing such use. Life-critical medical equipment is medical equipment where failure of such equipment would cause serious bodily injury or death (e.g., life support, pacemakers, defibrillators, heart pumps, neurostimulators, and implantables). Such equipment includes, without limitation, all medical devices identified by the U.S. Food and Drug Administration as Class III devices and equivalent classifications outside the U.S.

TI may expressly designate certain products as completing a particular qualification (e.g., Q100, Military Grade, or Enhanced Product). Designers agree that it has the necessary expertise to select the product with the appropriate qualification designation for their applications and that proper product selection is at Designers' own risk. Designers are solely responsible for compliance with all legal and regulatory requirements in connection with such selection.

Designer will fully indemnify TI and its representatives against any damages, costs, losses, and/or liabilities arising out of Designer's non-compliance with the terms and provisions of this Notice.