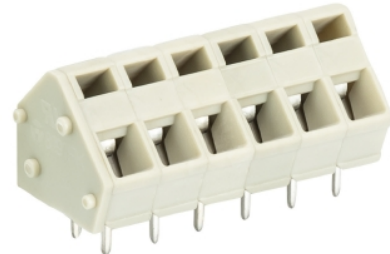


Data sheet

Commercial Art.No.: 27.007.3353.0

Printed circuit board terminal 8191 FK / 3 THR

PCB terminal, 3 poles, printed version, with solder pin (4.0mm, silver plated), pitch: 5 mm, type of packing: , color: grey, This product can be soldered by reflow and wave soldering,



Commercial Art.No.	27.007.3353.0
EAN	4015573873575
Order Unit	100

Certificates / Approvals



Technical data

General

Modular spacing	5 mm
Connection type	spring clamp connection
Marking	No
Fastening	None
Mating direction towards connector	180°

Technical data

Nominal cross section	2.5 mm ²
Rated current	12 A
Overvoltage Category I	1000 V
Overvoltage Category II	400 V
Overvoltage Category III	250 V
Rated impulse voltage	4 kV
Wire strip length	11 mm

Connection Data

Minimum cross section solid	0.14 mm ²
Maximum cross section solid	2.5 mm ²
Minimum cross section fine stranded	0.14 mm ²
Maximum cross section fine stranded	2.5 mm ²
Wire strip length	11 mm

Technical Data UL/CSA

Cross section UL	22-12 AWG
Voltage UL	300 V
Current field wiring	12 A
Current factory wiring	12 A

Cross section CSA	22-16 AWG
Voltage CSA	300 V
Current CSA	12 A

Other

Type of insulation material	Thermoplastic
Color	Grey
Height	15 mm
Depth	24.3 mm
Material attachment screw	None
Material contact base	Steel
Material contact surface	Sn

Classification

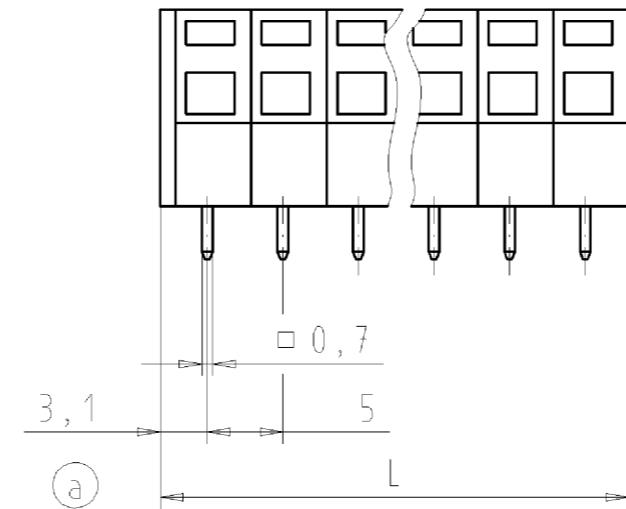
ECLASS 11	
ECLASS 8.1	27440401
ETIM 7.0	EC002643
ETIM 6.0	EC002643
ETIM 5.0	EC002643
ETIM 4.0	EC002643

Product compliance

ROHS conformity status	Compliant
REACH-SVHC conformity status	Compliant

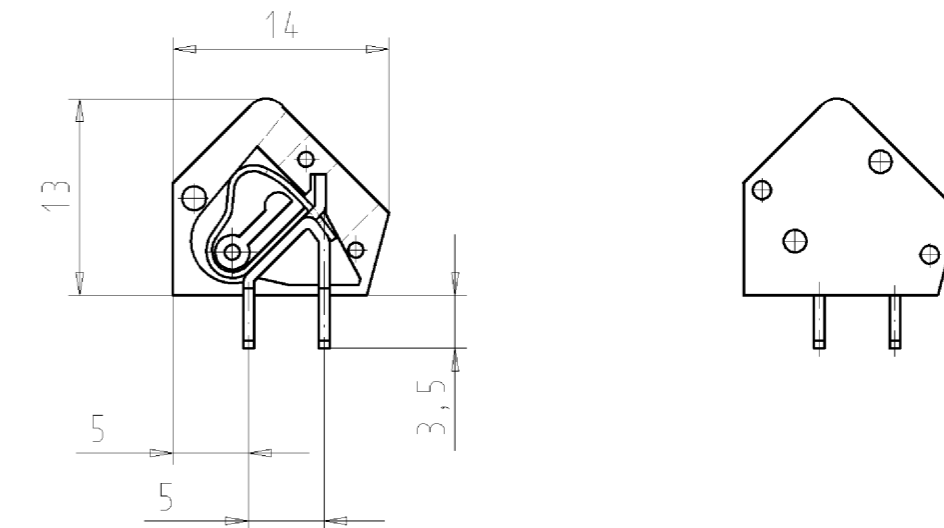
Technische Daten
Technical Data

	VDE	UL	CSA
Bemessungsspannung V rated voltage	250	300	300
Bemessungsstrom A rated current	16	15	15
Anschlußbereich max. mm ² /AWG connection range	0,08-2,5	28-12	28-12
Brennbarkeitsklasse flamability rating	UL 94-V0		
Isoliermaterial insulating material	PA 66 Farbe: grau ähnl. RAL 7032 PA 66 colour: grey sim. to RAL 7032		
Kontaktbasismaterial contact basis material	E-Cu 57		
Kontaktoberfläche contact surface	Ni3 Sn5		
Kontaktfeder contact spring	Ergste 1.4310 FD		
Verschmutzungsgrad 3/Überspannungskategorie III pollution degree 3/overvoltage category III			

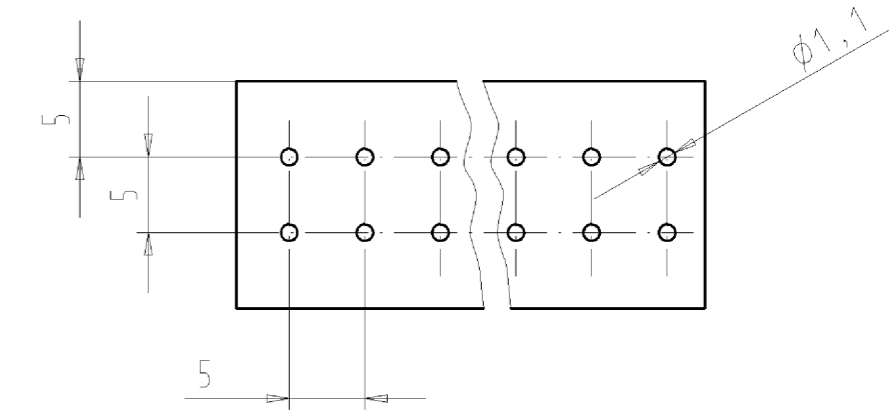


Ansicht ohne Abschlussplatte
view without end plate

Ansicht: Abschlussplatte
view: end plate



Lochbild
PCB layout



Teile-Nr. part-no.	Typ type	Polzahl poles	L
27.007.3253.0	8191 FK/ 2	2	11
27.007.3353.0	8191 FK/ 3	3	16
27.007.3453.0	8191 FK/ 4	4	21
27.007.3553.0	8191 FK/ 5	5	26
27.007.3653.0	8191 FK/ 6	6	31
27.007.3753.0	8191 FK/ 7	7	36
27.007.3853.0	8191 FK/ 8	8	41
27.007.3953.0	8191 FK/ 9	9	46
27.007.4053.0	8191 FK/10	10	51
27.007.4153.0	8191 FK/11	11	56
27.007.4253.0	8191 FK/12	12	61
27.007.4353.0	8191 FK/13	13	66
27.007.4453.0	8191 FK/14	14	71
27.007.4553.0	8191 FK/15	15	76
27.007.4653.0	8191 FK/16	16	81
27.007.4753.0	8191 FK/17	17	86
27.007.4853.0	8191 FK/18	18	91
27.007.4953.0	8191 FK/19	19	96
27.007.5053.0	8191 FK/20	20	101
27.007.5153.0	8191 FK/21	21	106
27.007.5253.0	8191 FK/22	22	111
27.007.5353.0	8191 FK/23	23	116
27.007.5453.0	8191 FK/24	24	121

Weitere Daten siehe Katalog
further data see catalog

Tolerierung nach DIN 7167/Tolerance system acc. to DIN 7167. (This DIN-standard describes the envelope principle. According to the envelope principle the deviations of form and parallelism are limited by the size tolerances).		ja/yes <input type="checkbox"/> Stoffverfalls- und Deklarationsliste nach UU-TQM-05/03 ist einzuhalten. Conformity with Wieland document UU-TQM-05/03 (list of prohibited / declarable hazardous substances) to be declared!	
Freitoleranz nach General tolerance		CAD - Zeichnung, keine manuellen Änderungen EAD - drawing, no manual modifications allowed	1. Verwendung: - First Use:
		Blatt: 1 Sheet: 1	von 1 of 1
		Zeichnung Nr./Drawing No. Index	
		27.007.3253.0 01K a	
		Maße in mm/Dimensions are in mm	
		Ersatz für/Replacement for: -	
		Type	
		Benennung/Title	
		LP_KLEMM	
		PCP terminal	
		Rastermaß 5 pitch 5	
		Wieland Elektrische Verbindungen	
		8191 FK/...	
		31.10.2006/	
		Date / Blatt Date / Sheet	
		Änderung/Revision	

Weitergabe sowie Vervielfältigung dieses Dokuments, Verwertung und Mitteilung seines Inhalts sind verboten, soweit nicht ausdrücklich gestattet. Die Reproduktion, Verbreitung und Nutzung dieses Dokuments als well as the communication of its contents to others without express authorization is prohibited.

Z:\007\325301K_4_CAD\10145_drawing\2006-10-31\T084625_1000