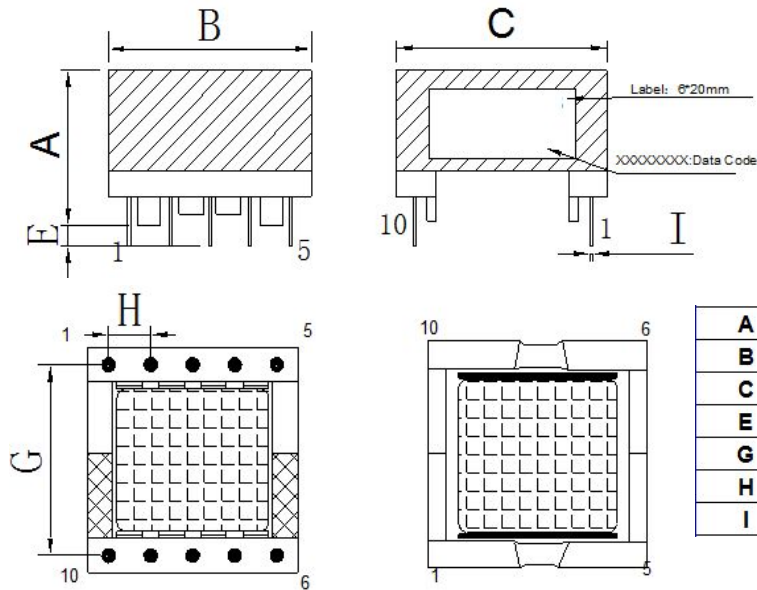
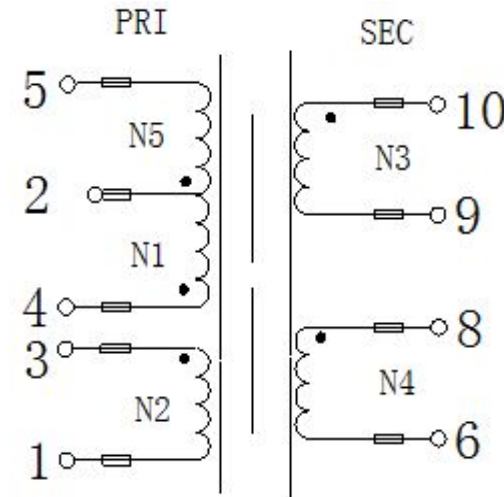


CUSTOMER TERMINAL	ROHS	Lead(Pb)-free
	YES	YES

## 1.Mechanical Dimensions



## 2.Schematic Diagram



## 3.Material List

Core:FW44 EFD25/25/9  
Bobbin:FWB2506(5+5PIN)  
Wire:2UEW TIW  
Operating Temperature: -30 to115 °C

## 4.Electrical Specification

Inductance :  $L(4-5):1.5mH \pm 5\%$  40KHZ , 1.0V  
Leakage Inductance : 35uH MAX 40KHZ , 1.0V  
DCR : (4-5)=3.3Ω MAX (10-9)=70mΩ MAX  
Hi-Pot:P-S: AC 60Hz 4000V 1mA 3S  
S-CORE: AC 60Hz 4000V 1mA 3S

REV.	DATE	<p>Convention Placement</p>	DRW.	Drawing Title: <b>TRANSFORMER</b>	Part No: FWPTefd25H152J
0	00/00		CHK.		
			APP.		
<b>ROHS</b>		<a href="http://www.ferriwo.com">www.ferriwo.com</a>	Customer P/N	Specification Sheet 1of 1	