

R13-112B



R13-112B2



R13-135B



R13-135B2



R13-112L



R13-112LP



R13-135L



R13-135LP



R13-112BP



R13-112A2



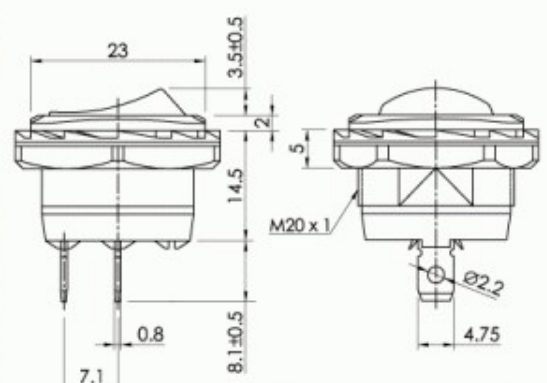
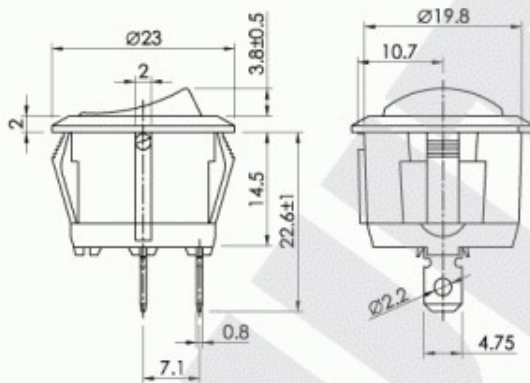
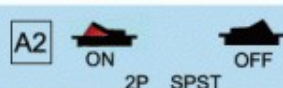
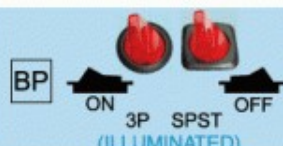
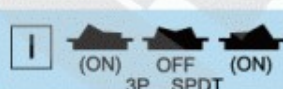
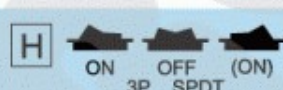
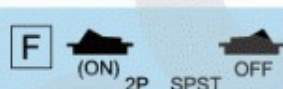
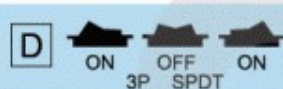
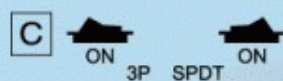
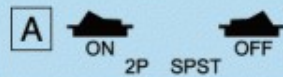
R13-135BP



R13-135A2



FUNCTION



R13-112LP

MOUNTING HOLE

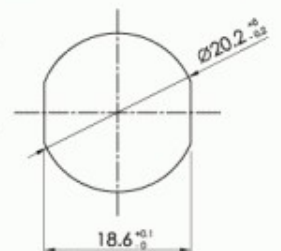
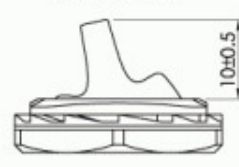


R13-112BP



R13-135LP

MOUNTING HOLE



R13-135BP



Rating : 10A 125V AC / 6A 250V AC
 Contact resistance : 50mΩ Max.
 Withstand voltage : 1,500V AC for 1 minute