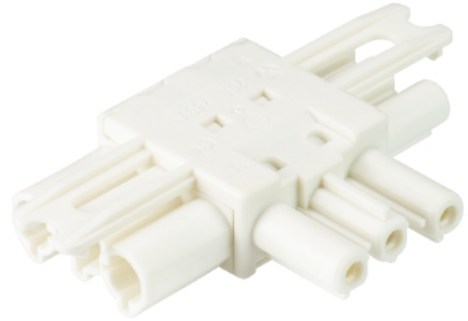


## Data sheet

Commercial Art.No.: 92.030.1253.0

Distributor GST18i3V 2P1T SV WS

GST18i3 T-distributor flach, 3 pole, 1 IN, 1 OUT, without mounting option, coding mains 250 V, 20 A, coding color white



Commercial Art.No.	92.030.1253.0
EAN	4015573914193
Order Unit	1

Certificates / Approvals



## Technical data

### General

Rated current	20 A
Rated voltage	250 V
Rated impulse voltage	4 kV
Pollution degree	2
Mechanical coding	Code 1
Lockable	self-locking (unlocking by tool)
Color of coding/ contact carrier	white
Marking of poles	L, N, PE

### Model

Number of inputs	1
Number of outputs	2
Type of fastening	No
Degree of protection (IP)	IP20
Type of distributor	T-distributor

### Material

Housing material	Polyamide
halogen free	yes
Contact material	CuZn
Fire load	0.116 kWh
Insulation components continuous temperature	100 °C
Surface finish	Tin-plated

### Classification

ECLASS 11	
ECLASS 8.1	27440603
ETIM 7.0	EC002567
ETIM 6.0	EC002567
ETIM 5.0	EC002567
ETIM 4.0	EC002567

#### Dimensions

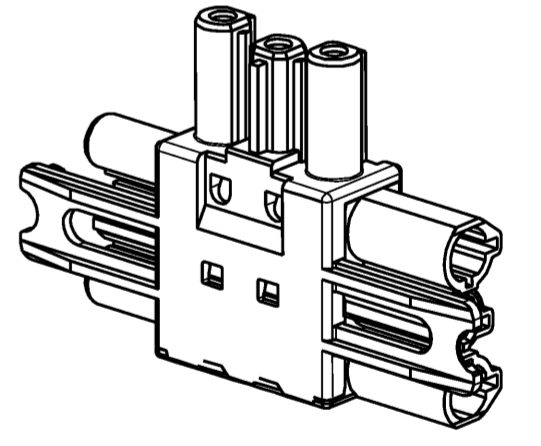
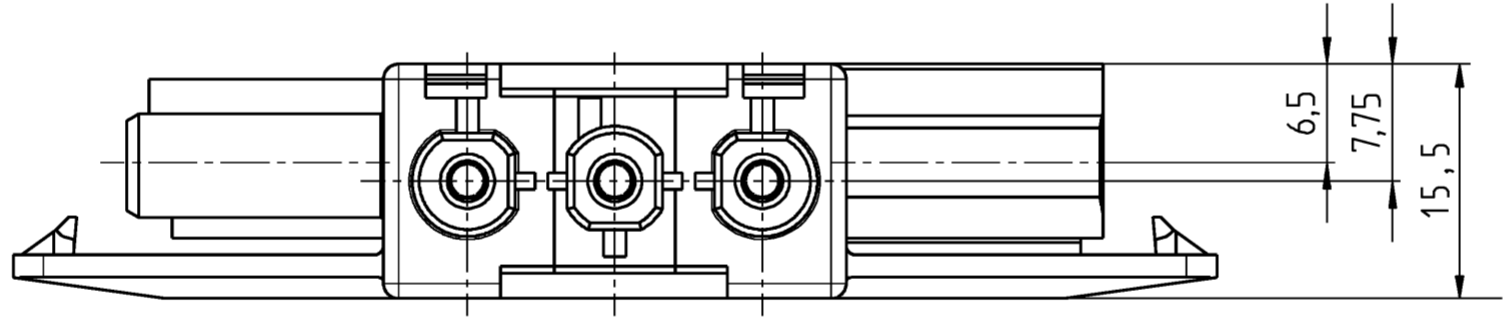
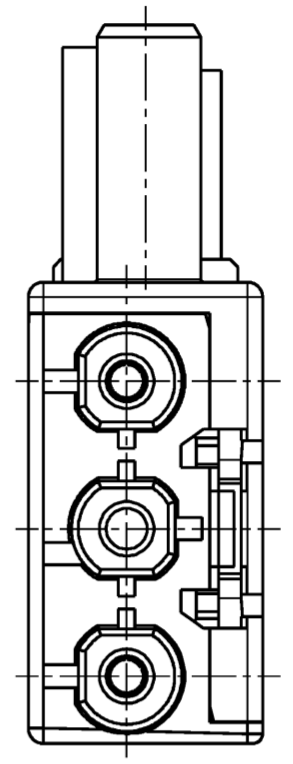
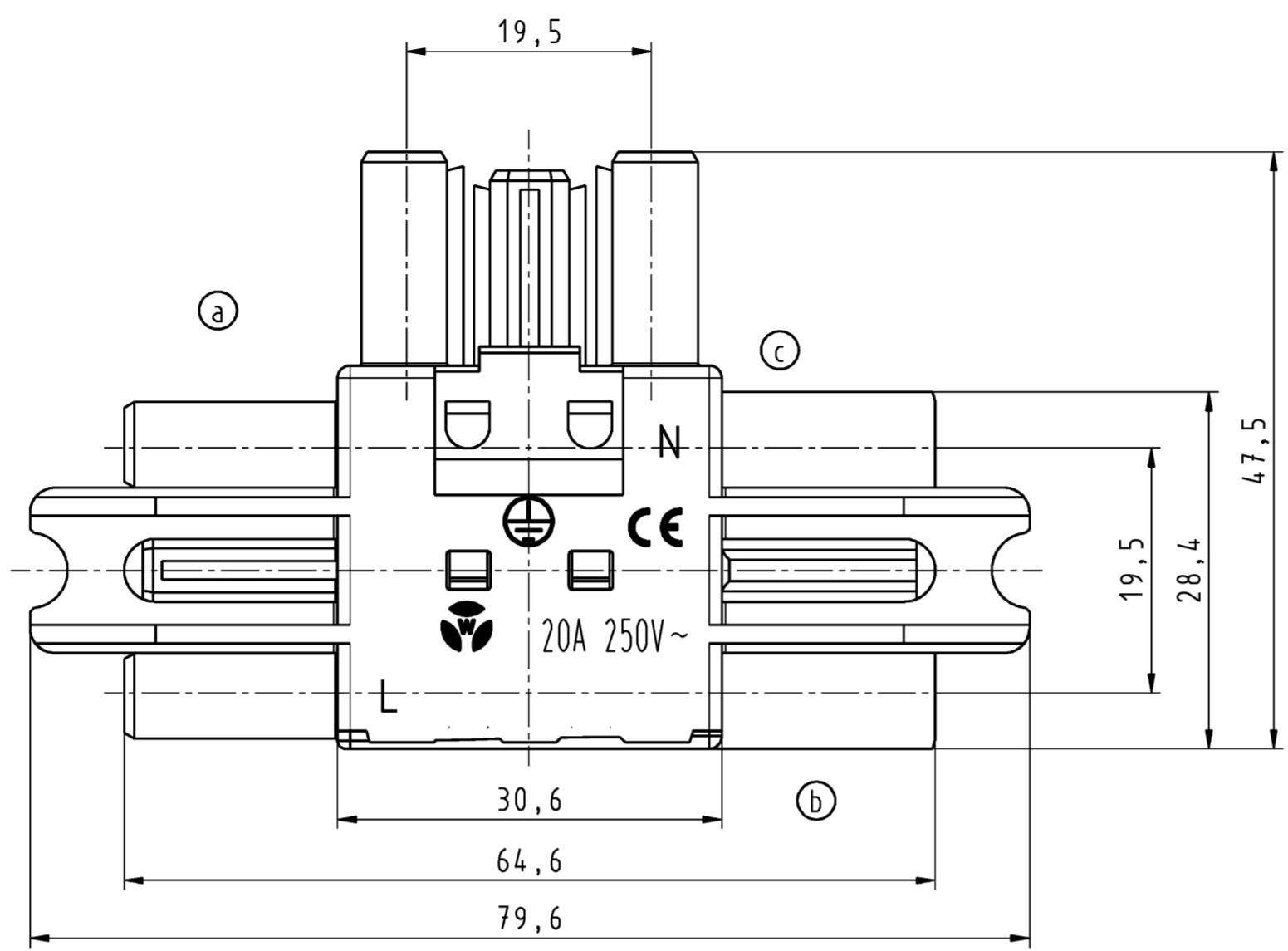
Length	64.6 mm
Width	47.5 mm
Height	15.5 mm

#### Product compliance

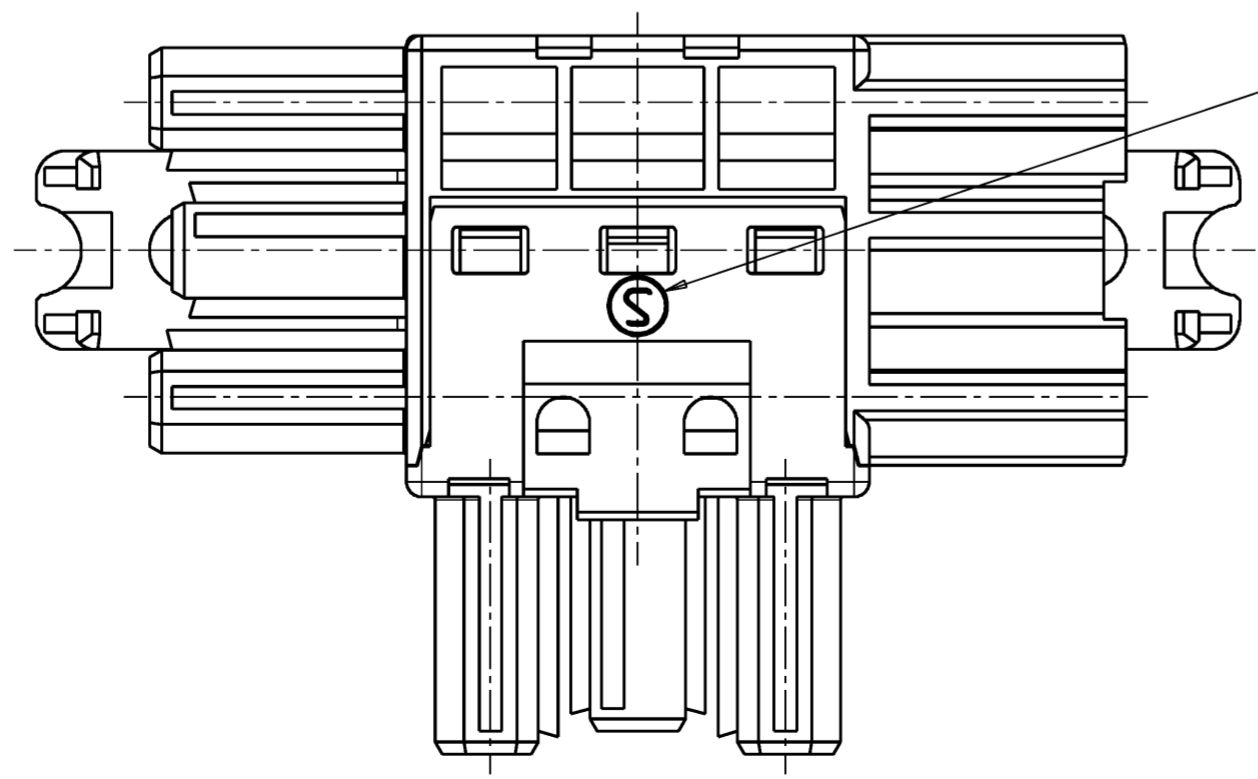
ROHS conformity status	Compliant/Exempted
ROHS exceptions	III-6(c)
REACH-SVHC conformity status	Duty-To-Declare
REACH-SVHC substances	Lead
REACH-SVHC CAS numbers	7439-92-1

#### Accessories

Commercial Art.No.:	Article-type description:	Description:
05.588.5753.0	Lock GST18 VERTEILER WS	Locking device for distributor GST18i3-5, retrofit part, white
05.588.5753.1	Locking slide GST18 VERTEILER SW	Locking device for distributor GST18i3-5, retrofit part, black
05.561.3653.0	cover cap GST18i3VS B WS	Cover piece for female GST18i3, white
05.561.3653.1	cover cap GST18i3VS B SW	Cover piece for female GST18i3, black
05.564.5353.0	cover cap GST18i3/4/5 SW	Cover piece 12 pole black for female parts GST18i3-6
05.564.5353.2	cover cap GST18i3/4/5 WS	Cover piece 12 pole white for female parts GST18i3-6
05.594.4250.0	cover cap ST18/3B + GST18i3 ST WS	
05.594.4253.0	cover cap ST18/3B + GST18i3 ST WS	



M 1:1



nur vorgesehen  
to be designed

Teile - Nr.	Farbe	Typ
92.030.1253.0	weiss	GST18I3V 2P1T SV WS
92.030.1253.1	schwarz	GST18I5V 2P1T SV SW

Tolerierung Size ISO 14405 © / Tolerance system Size ISO 14405 © (This ISO-standard describes the envelope principle. According to the envelope principle the deviations of form and parallelism are limited by the size tolerances).		ja/yes <input checked="" type="checkbox"/> Stoffverarbeitungs- und Deklarationsliste nach WN 5020.010 ist einzuhalten. (Conformity with Wieland document WN 5020.010 e (list of prohibited / declarable hazardous substances) to be declared!)	
Freitoleranz nach General tolerance		CAD - Zeichnung, keine manuellen Änderungen CAD - drawing, no manual modifications allowed	
1. Verwendung / First Use:		Blatt: 1 von 1 Sheet: 1 of 1	
gezeichnet / drawn	Tag/Date	Name	Zeichnung Nr. / Drawing No.
geprüft / checked	30.05.2006	Burger	T 92.030.1253.0 01K
Nachgepr. / Stand check			Index c
Maße in mm / Dimensions are in mm			
c	01.06.2016	Vol. --- mm <sup>3</sup>	Öfl./Surf. --- mm <sup>2</sup>
b	22.05.2013	Ersatz für / Replacement for:	
a	15.02.2007	Type	Benennung/Title
Index	Datum / Blatt / Date / Sheet	www.wieland-electric.com	
Änderung / Revision		VERTEILER connector 250V AC 20A	

These dimensions will be especially checked at delivery  
Only inspection dimensions  
With these dimensions are only valid for internal use

Diese Maße werden bei Abnahme besonders geprüft  
Ausschließlich Prüfmaße  
Mit diesen Maßen sind nur für interne Zwecke gültig

Weitergabe sowie Vervielfältigung dieses Dokuments, Verwertung und Mitteilung seines Inhalts sind verboten, soweit nicht ausdrücklich gestattet.  
The reproduction, distribution and utilization of this document as well as the communication of its contents to others without express authorization is prohibited.