



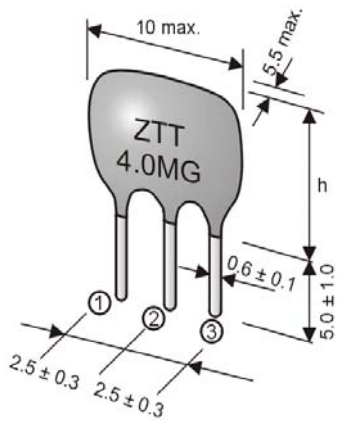
CERAMIC RESONATORS

KX-ZTT series

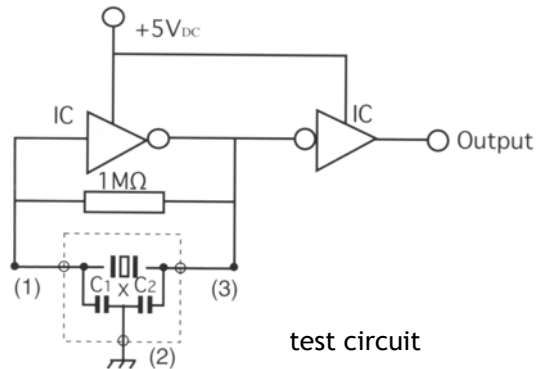
Built-in capacitor types

model	KX-ZTT MT
frequency range	8,0 ~ 13,0 MHz
internal capacitance C ₁ , C ₂	22 pF
frequency tolerance at +25 °C	± 0,5%
frequency stability at -20 ° ~ +80 °C	± 0,3%
aging for 10 years	± 0,3%
resonant resistance max.	30 Ohm
test circuit IC	1/6 CD 4069 UBEX2
height (h) max.	10,0 mm
RoHS *	started from date code May, 2005
packing unit	500 pcs.
part no.	12.99500 ~ 12.99900

* Please note for Ceramic Resonators our "Precautions of Handling"



CONNECTION
 ① Input
 ② Ground
 ③ Output



test circuit