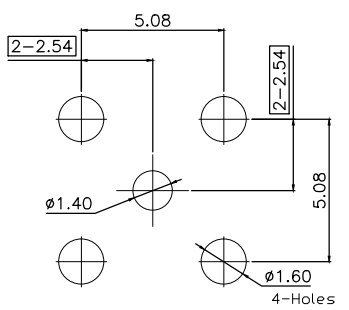
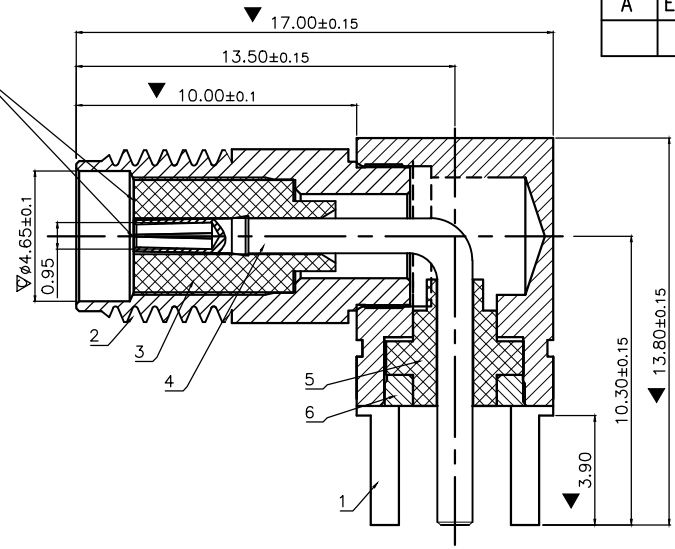
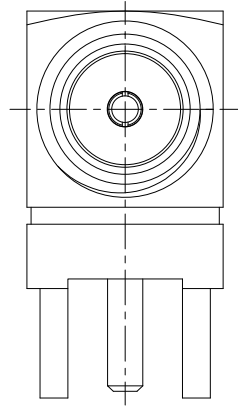
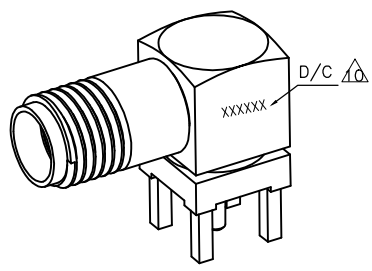
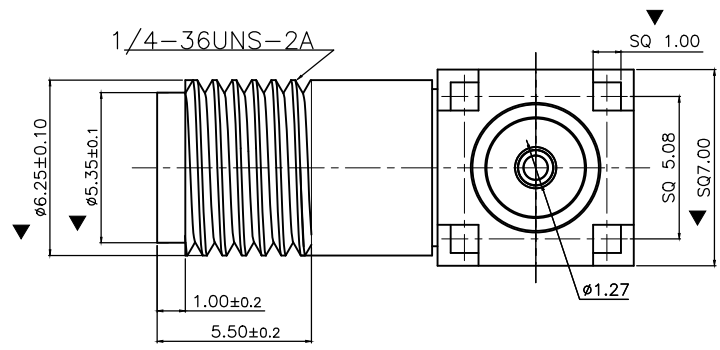


| REV. | ECN NUMBER | DESCRIPTION | DATE | DRAWN | CHECKED | APPROVED |
|------|------------|---------------|----------|-------|---------|----------|
| A | ECN202810 | FIRST RELEASE | 10/20'20 | QIN | KENNY | BILL |

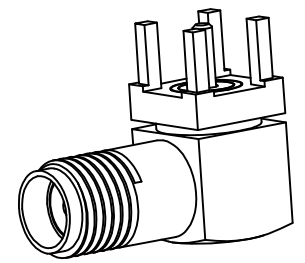
▼ 连接器内部不能有异物，塑料屑，金属屑



RECOMMEND PCB LAYOUT (COMPONENT SIDE)
(TOLERANCE: ±0.05)



ISD VIEW-1



ISD VIEW-2

| ITEM | PART NAME | PART NUMBER | QTY | DESCRIPTION |
|------|----------------|---------------|-----|--|
| 6 | CRIMP RING | 026-2F11-XXXX | 1 | BRASS (C3604), 1u" MIN. GOLD OVER 80u" NICKEL PLATING. |
| 5 | INSULATOR-2 | 013-0F0*-XXXX | 1 | TEFLON PTFE 102, UL 94V-0, COLOR: WHITE. |
| 4 | CENTER CONTACT | 052-2F1*-XXXX | 1 | PHOSPHOR-BRONZEC5440, 3u" MIN. GOLD OVER 80u" NICKEL. |
| 3 | INSULATOR-1 | 013-0F0*-XXXX | 1 | TEFLON PTFE 102, UL 94V-0, COLOR: WHITE. |
| 2 | BODY-2 | 025-2F1*-XXXX | 1 | BRASS (C3604), 1u" MIN. GOLD OVER 80u" NICKEL PLATING. |
| 1 | BODY-1 | 025-2F1*-XXXX | 1 | BRASS (C3604), 1u" MIN. GOLD OVER 80u" NICKEL PLATING. |



| GENERAL TOLERANCE | |
|-------------------|------------|
| XX ± 0.40 | |
| X ± 0.25 | |
| .X ± 0.15 | X' ± 1° |
| .XX ± 0.10 | .X' ± 0.5° |

| | |
|--------|-----|
| SCALE: | 4:1 |
| UNIT: | mm |
| SIZE: | A4 |

| | |
|----------|-------|
| DRAWN: | DATE: |
| CHECK: | DATE: |
| APPROVE: | DATE: |

| | |
|--------------------------|--------------|
| DWG.NO: | 600-18727-01 |
| PARTS NO.(INTENDED USE): | 818018727 |

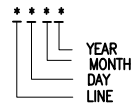
| | |
|--------|---------------------------------------|
| TITLE: | (客户图) SMA FEAMLE R/A PCB CONNECTOR |
|--------|---------------------------------------|

| | |
|--------|-----|
| REV. | A |
| SHEET: | 1/1 |

| REV. | ECN NUMBER | DESCRIPTION | DATE | DRAWN | CHECKED | APPROVED |
|------|------------|---------------|----------|-------|---------|----------|
| A | ECN202810 | FIRST RELEASE | 10/20'20 | QIN | KENNY | BILL |
| | | | | | | |

NOTES:

1. UNLESS OTHERWISE SPECIFIED, ALL DIMENSIONS ARE IN mm.
 2. THE FINISHED PART SHALL MEET THE REQUIREMENTS OF PRODUCT SPECIFICATION EB9-AS**-***.
 3. REFERENCE INTERFACE STANDARD: IEC60169-15,MIL-C-39012 (SMA)
 - 3.1 MATERIAL & FINISH:
 - 3.1.1 BODY COPPER ALLOY. GOLD OVER NICKEL PLATING OR SPECIAL REQUIREMENT;
 - 3.1.2 INSULATORS: PTFE UL 94-V0.
 - 3.1.3 SOCKET: COPPER ALLOY. GOLD OVER NICKEL PLATING OR SPECIAL REQUIREMENT;
 - 3.1.3 COVER: PTFE (ONLY FOR SAMPLE). HTN (FOR MASS PRODUCTION). UL 94-V0.
 - 3.2 ELECTRICAL CHARACTER.
 - 3.2.1 IMPEDANCE: 50 Ω (NOMINAL).
 - 3.2.2 FREQUENCY RANGE: DC~6 GHz.
 - 3.2.3 VSWR: 1.35 MAX. (UP TO 6 GHz). (FOR INTERFACE ONLY. REACHABLE VALUES IN APPLICATION DEPENDS DECISIVE ON LAYOUT OF PCB);
 - 3.2.4 Insertion Loss: 0.05xVf(GHX)dB MAX. (UP TO 6 GHz).
 - 3.2.5 VOLTAGE RATING: 250 VRMS MAX. AT SEA LEVEL;
 - 3.2.6 DIELECTRIC WITHSTANDING VOLTAGE: 1000 VRMS MIN. (AC);
 - 3.2.7 INSULATOR RESISANCE: 5000 MΩ MIN.;
 - 3.2.8 CENTER CONTACT RESISTANCE : 4.0 mΩ MAX.;
 - OUTER BODY RESISTANCE : 4.0 mΩ MAX.
 - 3.3. MECHANICAL & ENVIRONMENTAL:
 - 3.3.1 MECHANICAL DURABILITY: 500 CYCLES MIN;
 - 3.3.2 ENGAGEMENT FORCE: 18 N MAX;
 - 3.3.3 DISENGAGEMENT FORCE; 6N MIN, 18 N MAX;
 - 3.3.4 CENTER CONTACT RETENTION FORCE: 27N MIN
 - 3.3.5 CENTER CONTACT GUGUE RETENTION FORCE: 0.28N MIN
 - 3.3.6 TEMPEATURE RANGE: -40° TO +160°
 4. DIMENSIONING SHALL BE INTERPRETED PER ASME Y14.5M 2009.
 5. DIMENSIONS MARKED ▼ SHOULD BE CHECKED BY Q.C.ANDPROCESS ENGINEERS;ALSO SHOULE CHHECK THE CPK DATA.
 6. NO SCORE MARKS, BURRS AND STEPS ARE PERMITTED ON CONTACT AREAS.
 7. ALL INSIDE BLANKED RADII ARE 0.05mm MAX.UNLESS OTHERWISE SPECIFIED.
 8. HARMFUL MATERIAL CONTROL PLEASE FOLLOW DOC. NO. "EPI12"..
 9. THE CONCENTRATIONS OF Br & Cl CAN SATISFY THE REQUIREMENTS OF Halogen-Free IN DOCUMENT EPI12.
- ▲ DATE CODE AND VERSION NO. TO BE PRINTED ON THIS AREA.



| | | | | | | | | | |
|-------------------------------------|-------------------|--------|--------|-----|----------|-------|---------------------------------------|---|------|
| ELECTRIC CONNECTOR TECHNOLOGY | GENERAL TOLERANCE | | SCALE: | 4:1 | DRAWN: | DATE: | DWG.NO: | TITLE: (客户图) SMA FEAMLE R/A PCB CONNECTOR | REV. |
| | XX± 0.40 | | UNIT: | mm | CHECK: | DATE: | 600-18727-01 | | A |
| | X± 0.25 | | SIZE: | A4 | APPROVE: | DATE: | PARTS NO.(INTENDED USE): 818018727 | SHEET: | |
| | .X± 0.15 | X'± 1° | | | | | | 2/2 | |
| .XX± 0.10 | .X'± 0.5° | | | | | | | | |