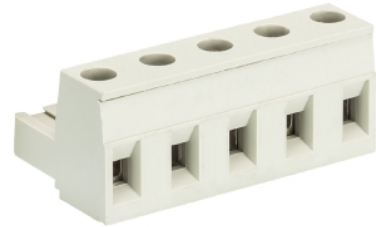


Data sheet

Commercial Art.No.: 25.360.3253.0

PCB connector 8313 B / 2 OB

PCB female connector with screw connection with rising cage clamp system, 2 poles, max. cross section: 2.5 mm², pitch: 7.5 mm, type of packing: carton, color: grey



Commercial Art.No.	25.360.3253.0
EAN	4015573195714
Order Unit	100

Certificates / Approvals



Technical data

General

Modular spacing	7.5 mm
Connection type	screw connection
Soldering process	None
Packaging	Carton
Number of poles	2
Marking	No
Fastening	None
Mating direction towards connector	180°

Technical data

Nominal cross section	2.5 mm ²
Rated current	12 A
Overvoltage Category I	1000 V
Overvoltage Category II	690 V
Overvoltage Category III	400 V
Rated impulse voltage	4 kV
Wire strip length	6 mm

Connection Data

Minimum cross section solid	0.14 mm ²
Maximum cross section solid	2.5 mm ²
Minimum cross section fine stranded	0.14 mm ²
Maximum cross section fine stranded	2.5 mm ²
Wire strip length	6 mm

Technical Data UL/CSA

Cross section UL	22-12 AWG
------------------	-----------

Voltage UL	300 V
Current field wiring	15 A
Current factory wiring	15 A
Cross section CSA	22-12 AWG
Voltage CSA	300 V
Current CSA	15 A

Other

Type of insulation material	Thermoplastic
Color	Grey
Height	15 mm
Length	13 mm
Depth	18.2 mm
Material attachment screw	CuSn/Steel
Material contact base	CuSn
Material contact surface	Sn

Classification

ECLASS 11	
ECLASS 8.1	27440402
ETIM 7.0	EC002637
ETIM 6.0	EC002637
ETIM 5.0	EC002637
ETIM 4.0	EC002637

Product compliance

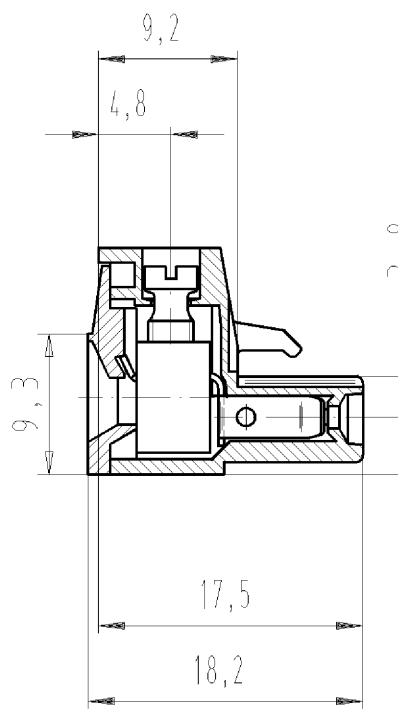
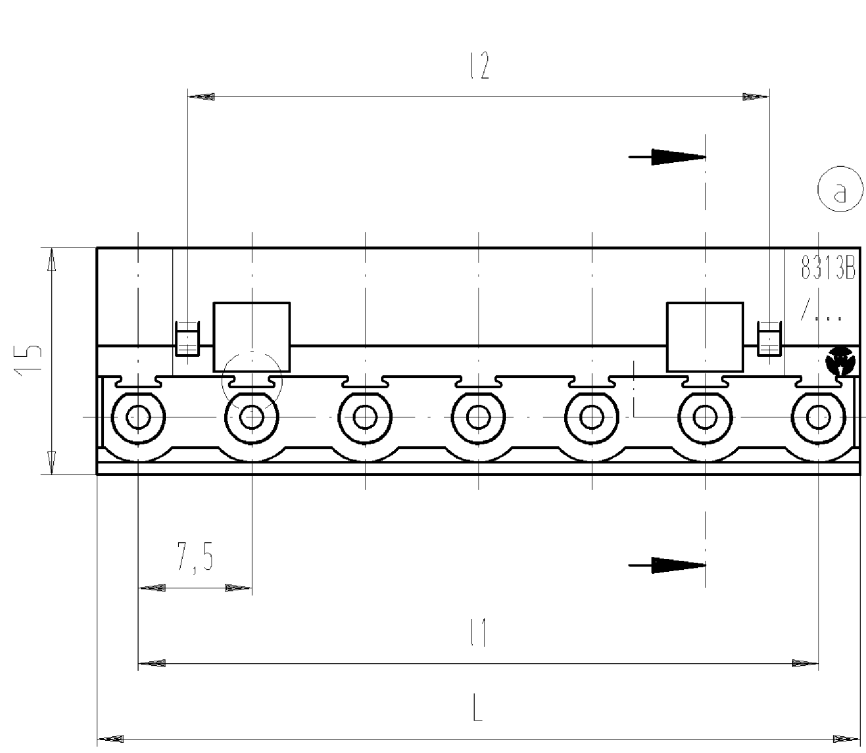
ROHS conformity status	Compliant/Exempted
ROHS exceptions	III-6(c)
REACH-SVHC conformity status	Duty-To-Declare
REACH-SVHC substances	Lead
REACH-SVHC CAS numbers	7439-92-1

Fits with

Commercial Art.No.:	Article-type description:	Description:
25.372.3253.0	PCB pin header 8313 S / 2 W OB	PCB pin header with pin header, connection method depends on used socket part , 2 poles, pitch: 7.5 mm, type of packing: carton, color: grey
25.370.3253.0	PCB pin header 8313 S / 2 G OB	PCB pin header with pin header, connection method depends on used socket part , 2 poles, pitch: 7.5 mm, type of packing: carton, color: grey

These dimensions will be especially checked at delivery
 Only inspection dimensions
 With /E marked dimensions are only valid for internal use

Diese Maße werden bei Abnahme besonders geprüft
 Ausschließlich Prüfmaße
 Mit /E gekennzeichnete Maße sind nur für interne Zwecke gültig



Weitergabe sowie Vervielfältigung dieses Dokuments, Verwertung und Mitteilung seines Inhalts sind verboten, soweit nicht ausdrücklich gestattet. Die Reproduktion, Distribution und Utilization of this document as well as the communication of its contents to others, without express authorization is prohibited.

gezeichnete Ausführung: 7-polig
drawn execution: 7-poles

Weitere Daten siehe Katalog
 further data see catalog

Farbe/colour	.F
grau/grey	.0
schwarz/black	.1
grün/green	.7

Artikel-Nr. part number	Po1 pole	L	l ₁	l ₂	Typ type
25.360.3253	2	13,0	7,5		8313 B/ 20B
3353	3	20,5	15,0	8,5	8313 B/ 30B
3453	4	28,0	22,5	16,0	8313 B/ 40B
3553	5	35,5	30,0	23,5	8313 B/ 50B
3653	6	43,0	37,5	31,0	8313 B/ 60B
3753	7	50,5	45,0	38,5	8313 B/ 70B
3853	8	58,0	52,5	46,0	8313 B/ 80B
3953	9	65,5	60,0	53,5	8313 B/ 90B
4053	10	73,0	67,5	61,0	8313 B/ 100B
4153	11	80,5	75,0	68,5	8313 B/ 110B
4253	12	88,0	82,5	76,0	8313 B/ 120B

Tolerierung nach DIN 7167/Tolerance system acc. to DIN 7167. (This DIN-standard describes the envelope principle. According to the envelope principle the deviations of form and parallelism are limited by the size tolerances). ja/yes Stoffverbots- und Deklarationsliste nach UU-TQM-05/03 ist einzuhalten. Conformity with Wieland document UU-TQM-05/03 (list of prohibited / declarable hazardous substances) to be declared!

Freitoleranz nach General tolerance CAD - Zeichnung, keine manuellen Änderungen CAD - drawing, no manual modifications allowed 1.Verwendung: First Use: Blatt: 1 von 1 Sheet: 1 of 1

Werkstoff/Material	2007 Tag/Date	Name	Zeichnung Nr./Drawing No.	Index
	gezeichnet drawn 27.06.	Schmitt J.	25.360.3253.0 01K a	a
Maßstab/Scale	geprüft checked	-		
1:1	Normgepr. Stand, check	-		
Vol. mm ³ Of1./Surf. mm ²	Ersatz für/Replacement for: -			
		Type	Benennung/Title	
		8313 B/	Pluggable PCB terminal	
		..0B	LP_KLEMME	
Elektrische Verbindungen		indirekt steckbar; Schraubausführung; Rastermaß 7,5 rising cage clamp system; Pitch 7.50		

253603253001K_4 CADW1042 Schmitt 2007-07-04T12:05:38 1.000