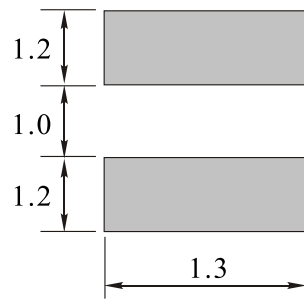
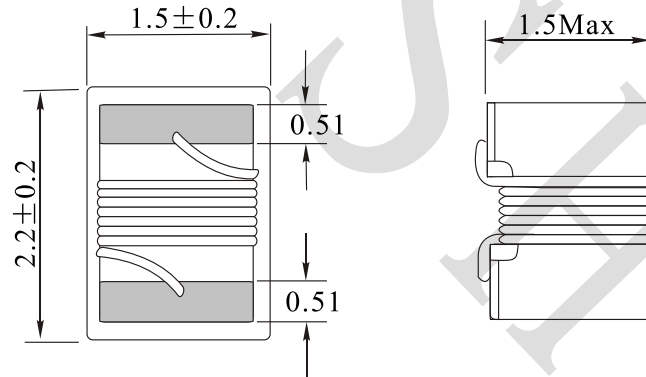
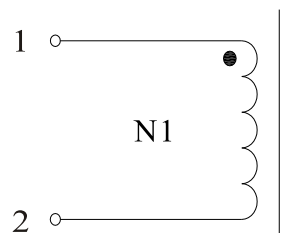


Rev.	Description	Date
A0	New release	2022.12.05

## 1. PHYSICAL CHARACTERISTICS (mm)



## 2. ELECTRONICAL SCHEMATIC



## 3. ELECTRONICAL SPECIFICATIONS

L: 150nH ± 5% @ 100MHz, 0.2V

Q: 45 typ. @ 250MHz

DCR: 0.56 Ω Max

IDC : 400mA Max

SRF: 1150MHz Min

Operating temperature: -25°C to +125°C

### Test Instrument:

L,Q: HP4294A+42942A+16193A

RDC: HM2540

IDC: WK3260B

### Note:

1. Solderability: leads shall meet MIL-STD-202, Method 208D for solderability.
2. Flammability: UL94V-0
3. ASTM oxygen index: >28%

NAME:	Surface-mount wire-wound ceramic chip inductors		
CUSTOMER P/N:	B82498F3151J	DATE:	2022-12-05
SHINHOM P/N:	AISC0805-R15J-0.4A	REV: A0	PAGE
DRAWN BY	CHECKED BY	APPROVE BY	



**SHINHOM**  
SHAANXISHINHOM ENTERPRISE CO LTD

The Document property belong to SHINHOM & is not allowed to be duplicated without authorization