

Data sheet

Commercial Art.No.: 27.002.2353.0

Printed circuit board terminal 7572 L2 / 3 OB

PCB terminal, 3 poles, with solder pin (3.5mm), pitch: 10.16 mm, type of packing:
carton, color: grey



Commercial Art.No.	27.002.2353.0
EAN	4015573661950
Order Unit	50

Certificates / Approvals



Technical data

General

Modular spacing	10.16 mm
Connection type	screw connection
Soldering process	Wave soldering
Packaging	Carton
Number of poles	3
Conductor to circuit board	180°
Number of levels	1
Integrated test socket	No
Insulation plate	No
Retaining pins	No
Marking	No

Technical data

Nominal cross section	10 mm ²
Rated current	76 A
Overvoltage Category I	1000 V
Overvoltage Category II	800 V
Overvoltage Category III	630 V
Rated impulse voltage	8 kV
Wire strip length	12 mm

Connection Data

Minimum cross section solid	0.5 mm ²
-----------------------------	---------------------

Maximum cross section solid	16 mm ²
Minimum cross section fine stranded	0.5 mm ²
Maximum cross section fine stranded	10 mm ²
Wire strip length	12 mm

Technical Data UL/CSA

Cross section UL	22-8 AWG
Voltage UL	300 V
Current field wiring	10 A
Current factory wiring	40 A
Cross section CSA	22-8 AWG
Voltage CSA	300 V
Current CSA	10 A

Other

Type of insulation material	Thermoplastic
Color	Grey
Height	28.5 mm
Length	30.48 mm
Depth	18.3 mm
Material attachment screw	Steel
Material contact base	E-Cu
Material contact surface	Sn

Classification

ECLASS 11	
ECLASS 8.1	27440401
ETIM 7.0	EC002643
ETIM 6.0	EC002643
ETIM 5.0	EC002643
ETIM 4.0	EC002643

Product compliance

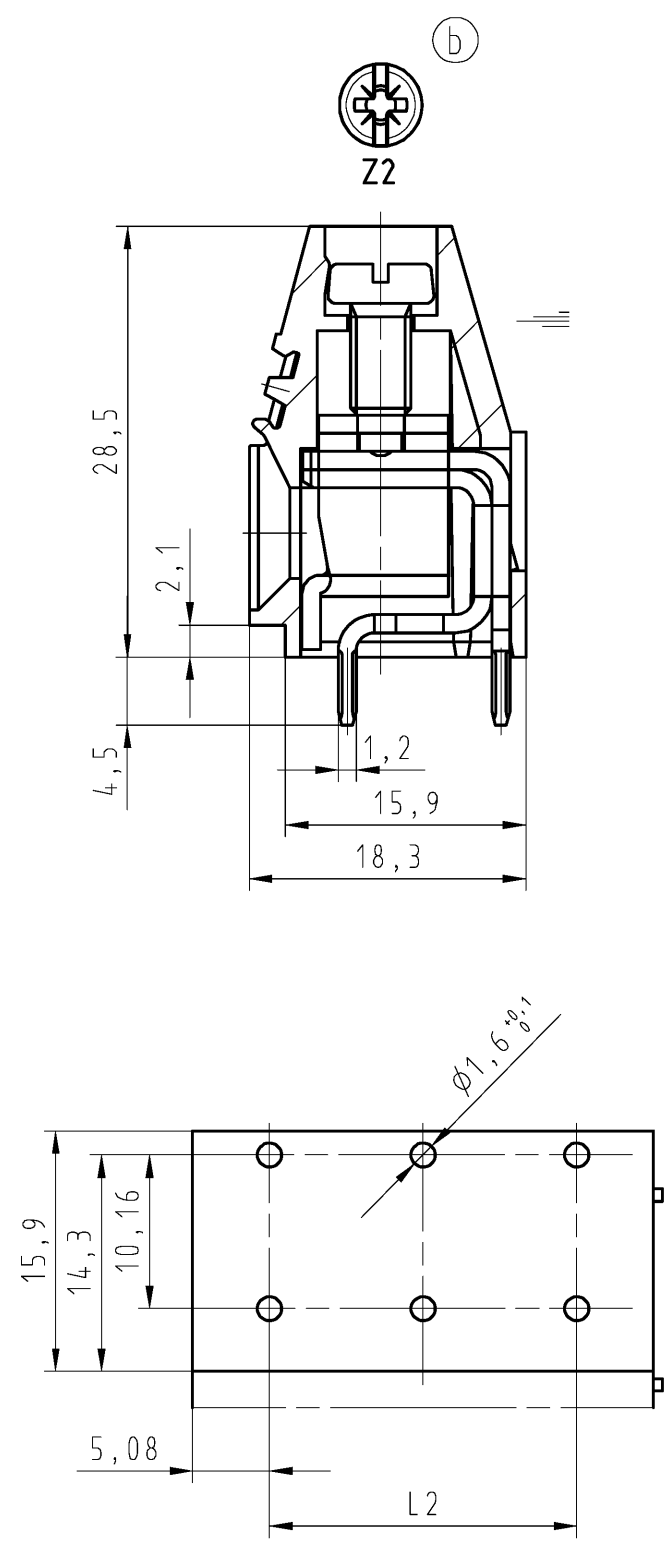
ROHS conformity status	Compliant
REACH-SVHC conformity status	Compliant

These dimensions will be especially checked at delivery
Only inspection dimensions
With /E marked dimensions are only valid for internal use

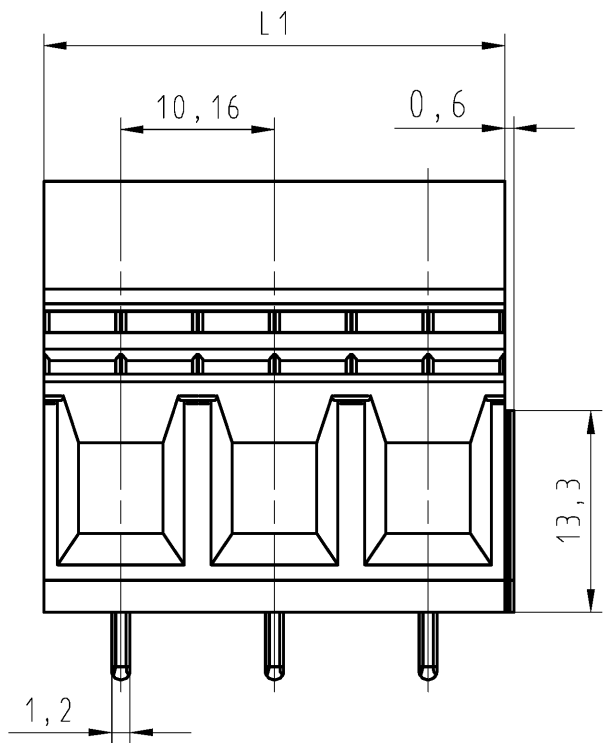
Diese Maße werden bei Abnahme besonders geprüft
Ausschließlich Prüfmaße
Mit /E gekennzeichnete Maße sind nur für interne Zwecke gültig

These dimensions will be especially checked at delivery
Only inspection dimensions
With /E marked dimensions are only valid for internal use

These dimensions will be especially checked at delivery
Only inspection dimensions
With /E marked dimensions are only valid for internal use



Lochbildtoleranzen nach DIN IEC 326 Teil 3 sehr fein
drill hole tolerances acc. to DIN IEC 326 part 3 very fine



gezeichnet/drawn:
27.002.2353.0

Technische Daten
Technical Data

	VDE	UL	CSA
Bemessungsspannung V rated voltage	630	D300 C150	D300 C150
Bemessungsstrom A rated current	57	D10 C65	D10 C60
Anschlußbereich max.mm /AWG connection range	16	6	6
Brennbarkeitsklasse UL 94 V-0 flamability rating UL 94 V-0			
Klemmschraube M4 clamping screw			
Verschmutzungsgrad 3/Überspannungskategorie III pollution degree 3/overvoltage category III			
Kontaktbasismaterial contact basis material	E-Cu 57 F 37		
Diffusionssperre diffusion barrier	≥ 3 µm Ni		
Kontaktoberfläche contact surface	Sn 4-6 µm		
Isoliermaterial insulating material	PA66		

Weitere Daten siehe Katalog
further data see catalog

Teile-Nr. part no.	Typ type	Polzahl pole	L1	L2
27.002.2253.0	7572 L2 / 2 OB	2	20,32	10,16
27.002.2353.0	7572 L2 / 3 OB	3	30,48	20,32

Tolerierung Size ISO 14405 (E)/Tolerance system Size ISO 14405 (E). (This ISO-standard describes the envelope principle. According to the envelope principle the deviations of form and parallelism are limited by the size tolerances).		ja/yes <input checked="" type="checkbox"/> Stoffverbots- und Deklarationsliste nach WN 5020.010 ist einzuhalten. Conformity with Wieland document WN 5020.010 e (list of prohibited / declarable hazardous substances) to be declared!	
Freitoleranz nach General tolerance	CAD - Zeichnung, keine manuellen Änderungen CAD - drawing, no manual modifications allowed	1.Verwendung: First Use:	Blatt: 1 von 1 Sheet: of 1
Werkstoff/Material Farbe: grau, ähnl. RAL 7032 colour: grey, sim. to RAL 7032	2002 Tag/Date Name	Zeichnung Nr./Drawing No. Index	
Maßstab/Scale 2:1	gezeichnet/drawn 30.04. Bauer F. geprüft/checked Normgepr. Stand. check	T 27.002.2253.0 01K b	
Vol. mm ³ Of l./Surf. mm ²	Ersatz für/Replacement for: -		
b 14.07.2015/ a 17.05.2006/ Index Datum / Blatt Date / Sheet	Type Benennung/Title		Maße in mm/Dimensions are in mm
Änderung/Revision	www.wieland-electric.com 7572 L2/.. OB		LP_KLEMME Rastermaß 10,16 PCB-Terminal pitch 10,16

Weitergabe sowie Vervielfältigung dieses Dokuments, Verwertung und Mitteilung seines Inhalts sind verboten, soweit nicht ausdrücklich gestattet.
The reproduction, distribution and utilization of this document as well as the communication of its contents to others without express authorization is prohibited.