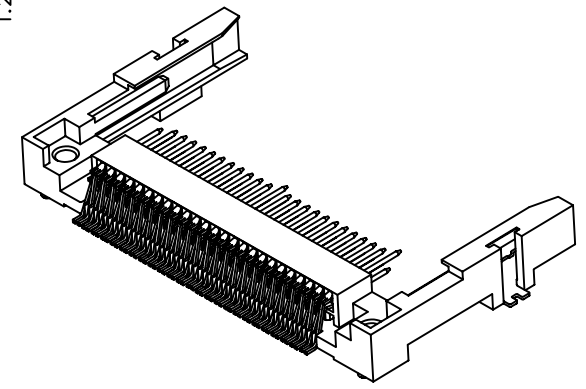
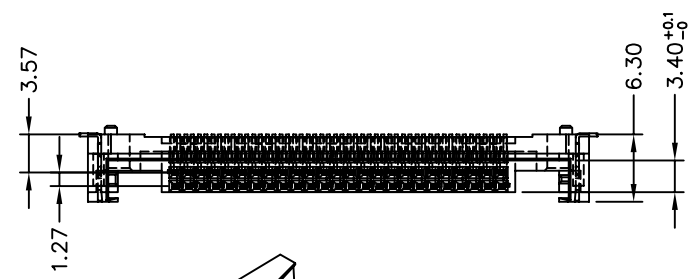


**NOTE:**

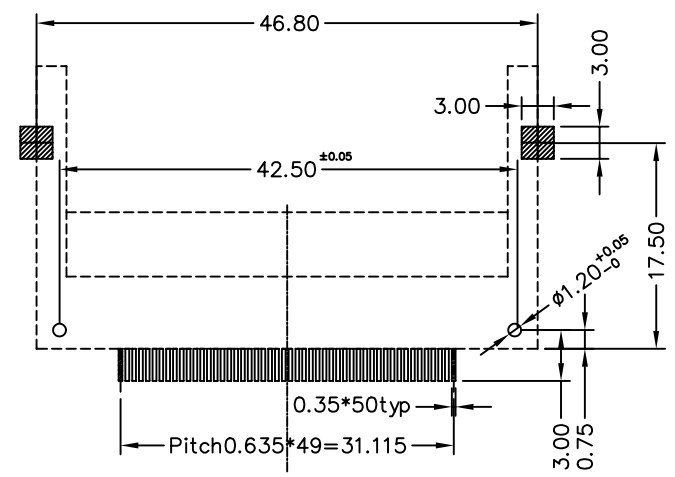
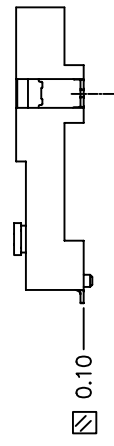
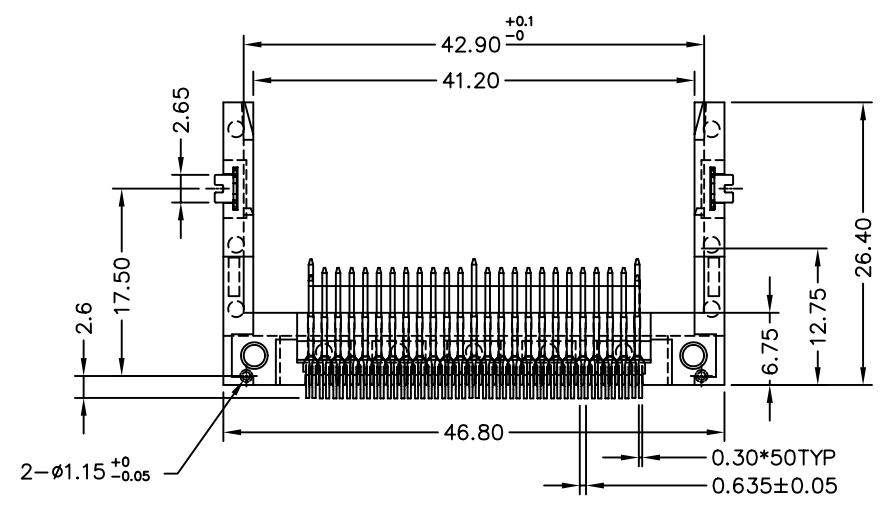
- A. Material:**  
 1. Housing : LCP 30% G.F. , UL94-V0 rated  
 2. Contact : Copper allpy  
 3. Pad : Brass
- B. Plating**  
 1. Contact : Underplating 50u" min Nickel,  
 Contact area 15u" AU over Nickel plated.  
 Solder tail 100u" min Sn/Pb over Nickel plated.  
 2. Ped : 100u" min Sn/Pb over 50u" min Nickel plated.



No push

Dimension L

Pin type	Circuit No.	Dimensions mm
Detect	1,13,38,50	5.0 ± 0.1
General	2 to 12 , 14 to 24 27 to 37 , 39 to 49	4.25 ± 0.1
Power	25 , 26	3.5 ± 0.1



PCB Layout

		<b>PART NO. CFC-PW222-50</b>									
		<b>DWG NO. CFC-PW222-50</b>		<b>APPROVED BY CY</b>		<b>TOLERANCES ARE</b>		<b>DESCRIPTION:</b> Compact Flash Card Socket SMT TYPE ( Reverse type fit Type II CF Card) Stand Off : 2.1mm & POST L=42.5mm			
		<b>FILE NO.</b>		<b>DRAWING BY</b>		.X ±0.125 .XX ±0.050 .XXX±0.010					
<b>UNIT / mm</b>		<b>SCALE 1:1</b>		<b>PROJECTION</b>				<b>AREA</b>	<b>REVISIONS</b>	<b>HK</b>	<b>DATE</b>