

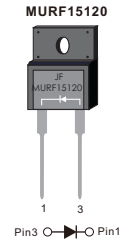
FEATURES

- Plastic package has Underwriters Laboratory Flammability Classification 94V-0
- Fast switching for high efficiency
- Low forward voltage drop
- Ultrafast Recovery Time
- High surge current capability
- For use in free wheeling, snubber, clamp, inversion welder, PFC, Plating Power Supply
- High temperature soldering guaranteed:260°C/10 seconds, 0.25"(6.35mm)from case
- Component in accordance to RoHS 2011/65/EU

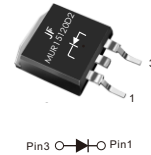
TO-220AC



ITO-220AC



TO-263AC
MUR15120D2



MECHANICAL DATA

- Case: JEDEC ITO-220AC molded plastic body
- Terminals: Lead solderable per MIL-STD-750,method 2026
- Polarity: As marked
- Mounting Position: Any

ABSOLUT MAXIMUM RATINGS (T_c=25°C unless otherwise specified)

Symbol	Parameter/Test Conditions		Values	Unit
V _R	Maximum DC blocking voltage		1200	V
V _{RRM}	Maximum repetitive peak reverse voltage		1200	V
I _{F(AV)}	Average forward current	T _c =100°C	15	A
I _{F(RMS)}	RMS forward current	T _c =100°C	21	A
I _{FSM}	NON Repetitive Surge Forward Current	T _j =45°C, t=10ms, 50HZ, Sine	150	A
P _D	Power Dissipation		62	W
T _J	Junction temperature		-55 to+175	°C
T _{STG}	Storage temperature range		-55 to+175	°C
Torque	Module to Sink	Recommended (M3)	1.1	Nm
R _{θJC}	Junction to Case Thermal Resistance		2.0	°C/W

MUR15120\MURF15120\MUR15120D2

ELECTRICAL CHARACTERISTICS (T_c=25°C unless otherwise specified)

Symbol	Parameter/Test Conditions		Min.	Typ.	Max.	Unit
I _{RM}	Maximum Reverse Leakage Current	V _R =1200V			10	μA
I _{RM}	Maximum Reverse Leakage Current	V _R =1200V, T _J =125°C			1	mA
V _F	Forward Voltage	I _F =15A		2.0	2.4	V
V _F	Forward Voltage	I _F =15A, T _J =125°C		1.6		V
t _{rr}	Reverse Recovery Time (I _F =1A, dI _F /dt=-200A/μs, V _R =30V)			25	30	ns
t _{rr}	Reverse Recovery Time (I _F =0.5A, I _R =1A, I _{RR} =0.25A)			50	60	ns
t _{rr}	Reverse Recovery Time	I _F =8A, V _R =600V dI _F /dt=-200A/μs		72		ns
I _{RRM}	Maximum Reverse Recovery Current			5		A
t _{rr}	Reverse Recovery Time	I _F =8A, V _R =600V dI _F /dt=-200A/μs, T _J =125°C		240		ns
I _{RRM}	Maximum Reverse Recovery Current			7.5		A

RATINGS AND CHARACTERISTIC CURVES

FIG.1-Forward Voltage Drop vs Forward Current

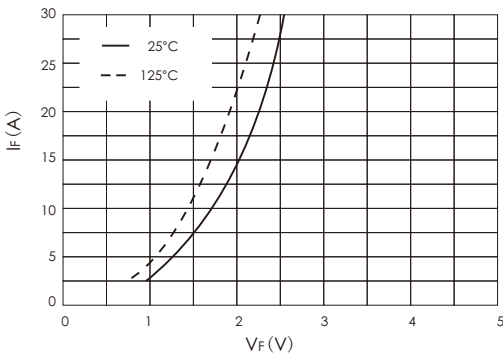
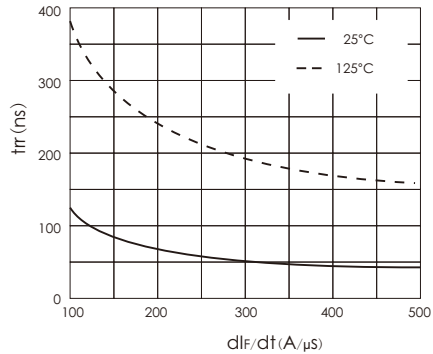


FIG.2-Reverse Recovery Time vs dI_F/dt



MUR15120\MURF15120\MUR15120D2

FIG.3-Forward Current vs Case temperature

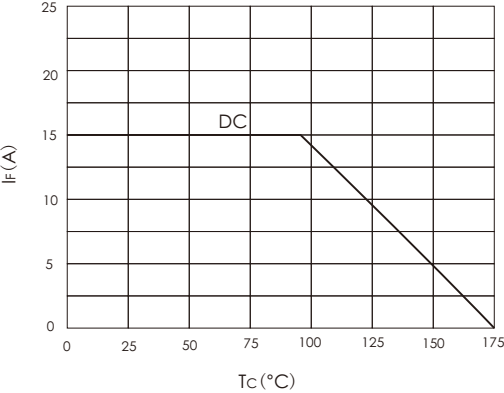
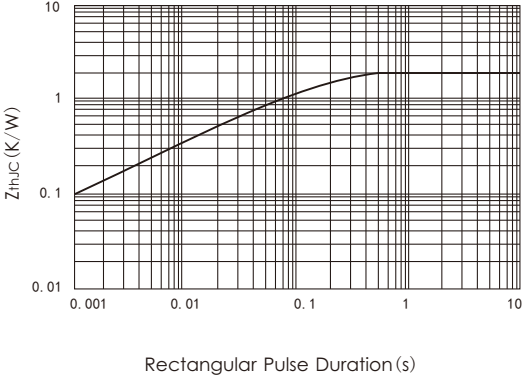
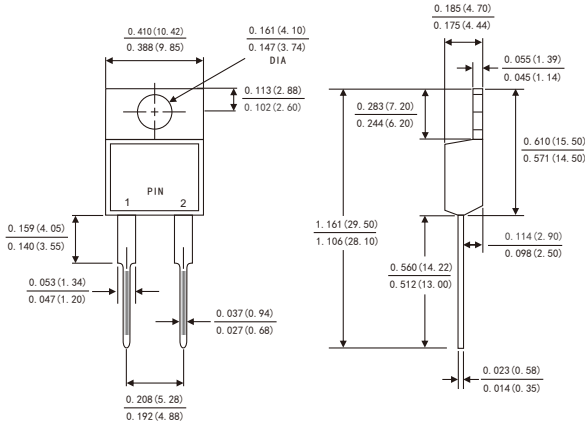


FIG.4-Forward Current vs Case temperature

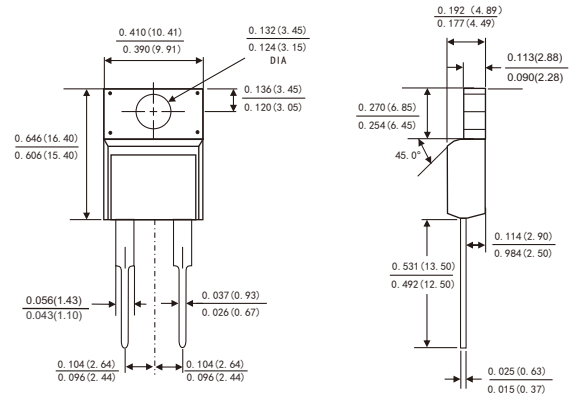


MUR15120\MURF15120\MUR15120D2

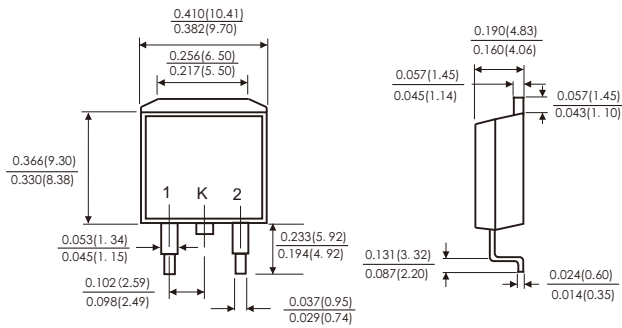
TO-220AC



ITO-220AC



TO-263AC D2PAK



Dimensions in inches and (millimeters)