

Data sheet

Commercial Art.No.: 57.904.6855.0

Fuse terminal WK 4/THSI6,3 GL 500U/V0

Fuse terminal block with screw connection for mounting on TS 35 and TS 32, nominal cross section 4 mm², width 6 mm, color gray



Commercial Art.No.	57.904.6855.0
EAN	4015573528390
Order Unit	50

Certificates / Approvals



Technical data

General

Nominal cross section	4 mm ²
Color	Grey
Number of levels	1
Width/grid dimension	10 mm
Insulating housing	PA666
Inflammability class of insulation material acc. with UL94	V0
Mounting method	DIN rail (top hat rail)/G-rail
Terminal blocks for electrical installations	No
Fuse insert	G-fuse 6.3x32 mm

Technical data

Rated current	10 A
Rated voltage	500 V
Rated impulse voltage	8 kV
Pollution degree	3
Closing plate required	No
Type of insulation material	Thermoplastic
Length	77.2 mm

Connection Data

Connection type 1	screw connection
Connection type 2	screw connection

Minimum cross section solid	0.5 mm ²
Maximum cross section solid	6 mm ²
Minimum cross section fine stranded	0.5 mm ²
Maximum cross section fine stranded	4 mm ²
Wire strip length	8 mm
Torque conductor mounting	0.5 Nm

Technical Data UL/CSA

Cross section UL	22-10 AWG
Voltage UL	500 V
Current factory wiring	15 A
Current field wiring	15 A
Cross section CSA	22-10 AWG
Voltage CSA	500 V
Current CSA	10 A

Note

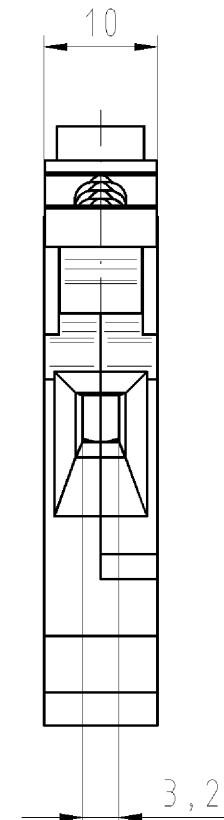
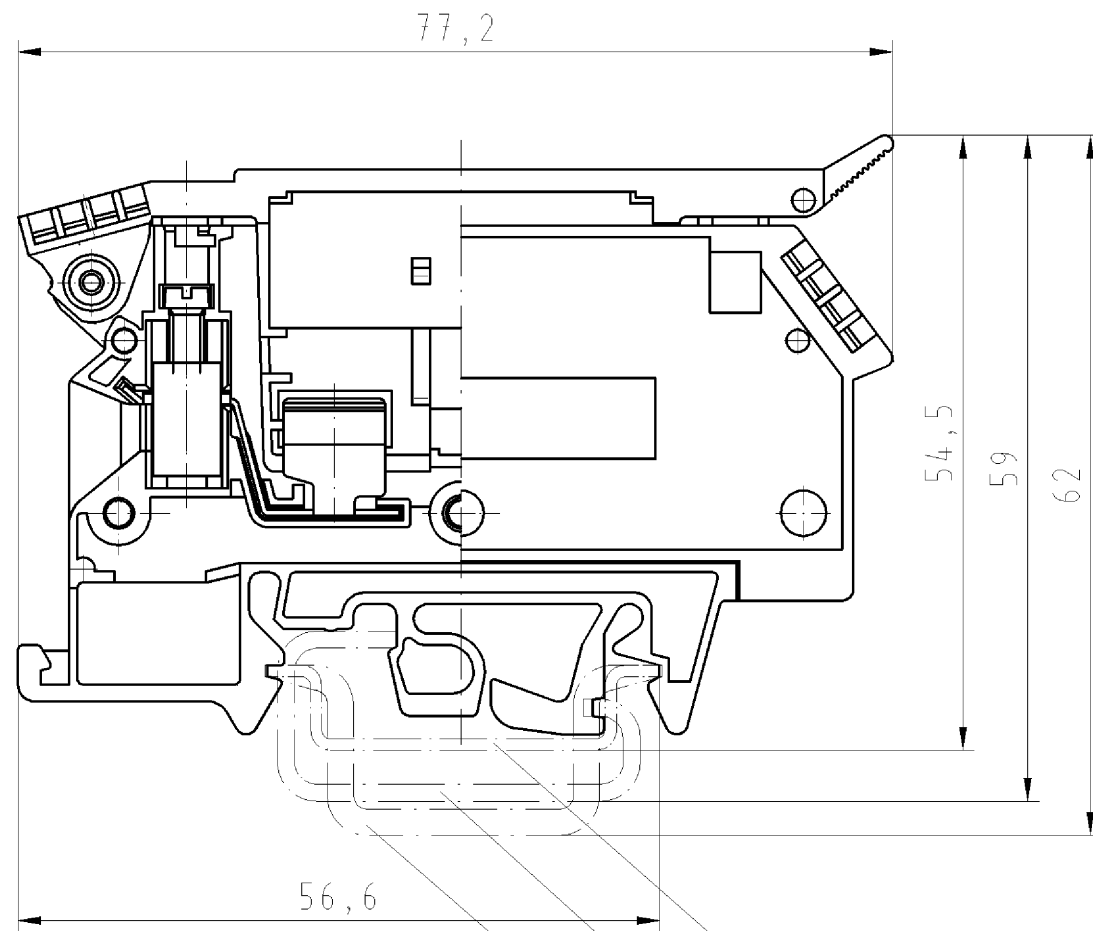
Remark to rated voltage	Note max power loss
Remark to rated current	Note max power loss
Defect indicator	Glow lamp
Voltage type for defect indication	AC/DC
Minimum operating voltage of defective display	380 V
Maximum operating voltage of defective display	500 V

Classification

ECLASS 11	
ECLASS 8.1	27141116
ETIM 7.0	EC000899
ETIM 6.0	EC000899
ETIM 5.0	EC000899
ETIM 4.0	EC000899
ETIM 3.0	EC000899

Product compliance

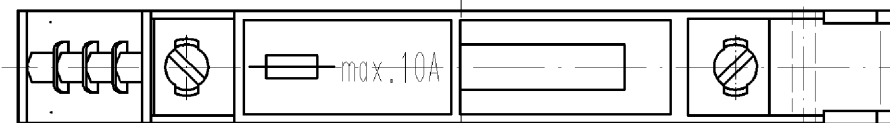
ROHS conformity status	Compliant/Exempted
ROHS exceptions	III-6(c)
REACH-SVHC conformity status	Duty-To-Declare
REACH-SVHC substances	Lead
REACH-SVHC CAS numbers	7439-92-1



Hutschiene EN 60715-35x7,5
mounting rail EN 60715-35x7,5

G-Schiene EN 60715-G 32
g-rail EN 60715-G 32

Hutschiene EN 60715-35x15
mounting rail EN 60715-35x15



Weitere Daten siehe Katalog
further data see catalog

Teile-Nr./part-nr.	Farbe/colour	Typ
57.904.6355.0	grau/grey	WK4/THSI 6,3...U
57.904.6455.0	grau/grey	WK4/THSI 6,3 LED 12 U
57.904.6555.0	grau/grey	WK4/THSI 6,3 LED 24 U
57.904.6655.0	grau/grey	WK4/THSI 6,3 LED 60 U
57.904.6755.0	grau/grey	WK4/THSI 6,3 GL 250 U
57.904.6855.0	grau/grey	WK4/THSI 6,3 GL 500 U

Freitoleranz nach DIN		CAD - Zeichnung, keine manuellen Änderungen			1.Verwendung: -		Bl.: 1 von 1	
	/	Maßstab	Werkstoff und Oberfläche:		2003	Tag	Name	
	/	%			Entworfen	22.04.	Lunz S.	
	/				Geprüft	-	-	
	/				Normgepr.	-	-	
	/	 wieland Elektrische Verbindungen		Typ siehe Tabelle		Benennung		
	/					SICHERUNGSKLEMME fuse terminal		
Buchstabe	Datum / Blatt	Änderung		Zeichnung Nr.		T		57.904.6355.0 01K
				Ersatz für: -		Index		

○ Diese Maße werden bei Abnahme besonders geprüft

□ Ausschließlich Prüfmaße

MIT JE REKONSTRUIERTER MAßSTAB NUR FÜR INTERNE ZWECKE GÜLTIG

Weitergabe sowie Vervielfältigung dieses Dokuments, Verwertung und Mitteilung seines Inhalts sind verboten, soweit nicht ausdrücklich gestattet. The reproduction, distribution and utilization of this document as well as the communication of its contents to others without express authorization is prohibited.

1
2
3
4
5
6
7
8
9
10
11
12
13
14
15
16
17
18
19
20
M1
M2
M3
L
G
1.1
2.1
1.1