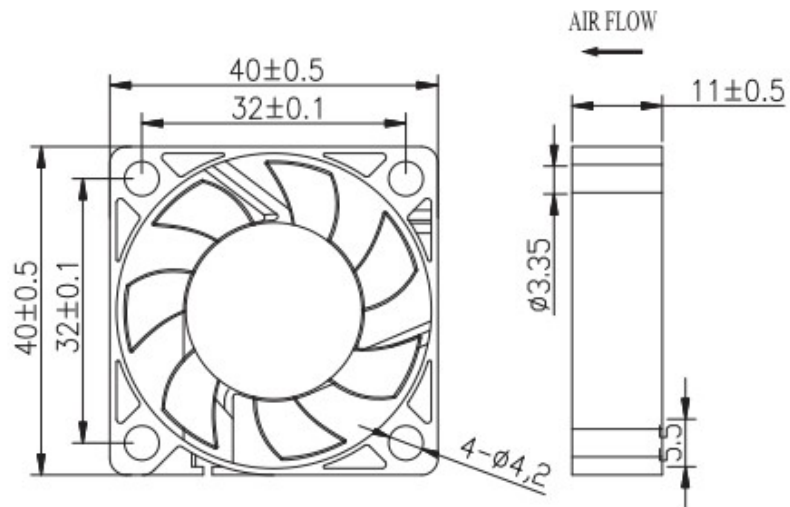


DIMENSIONS DRAWING



DC AXIAL FAN 40*40*10MM SERIES

Material

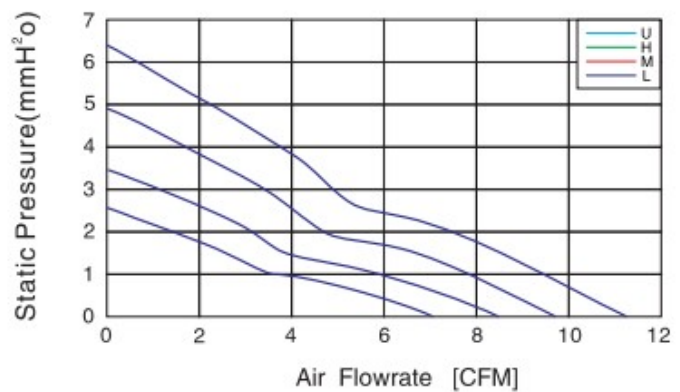
UL 1007 AWG # 28 OR Equivalent

Red Wire:Positive (+)

Black Wire:Negative (-)

Yellow wire:FG or RD Signal

P & Q CURVE (AT RATED VOLTAGE)



MODEL NO	RATED VOLTAGE V	OPERATING VOLTAGE V	RATED CURRENT A	ACTUAL CURRENT A	RATED POWER	RATED SPEED RPM (±10%)	MAX. AIR FLOW		MAX.STATIC AIR PRESSURE		NOISE LEVEL db(A)
							CMM	CFM	InH ₂ O	mmH ₂ O	
JL4010H05Y	5	4.5~5.5	0.25	0.22	1.25	7000	0.280	9.88	0.20	4.97	30.5
JL4010M05Y	5	4.5~5.5	0.20	0.17	1.0	6000	0.240	8.47	0.14	3.65	27.2
JL4010L05Y	5	4.5~5.5	0.13	0.11	0.65	5000	0.200	7.06	0.10	2.54	23.2
JL4010U12Y	12	9.5~13.2	0.18	0.16	2.16	8000	0.32	11.29	0.26	6.49	33.4
JL4010H12Y	12	9.5~13.2	0.12	0.10	1.44	7000	0.28	9.88	0.20	4.97	30.5
JL4010M12Y	12	9.5~13.2	0.09	0.08	1.08	6000	0.24	8.47	0.14	3.65	27.2
JL4010L12Y	12	9.5~13.2	0.08	0.07	0.96	5000	0.20	7.06	0.10	2.54	23.2

■ PS:Where Y can be S .B.