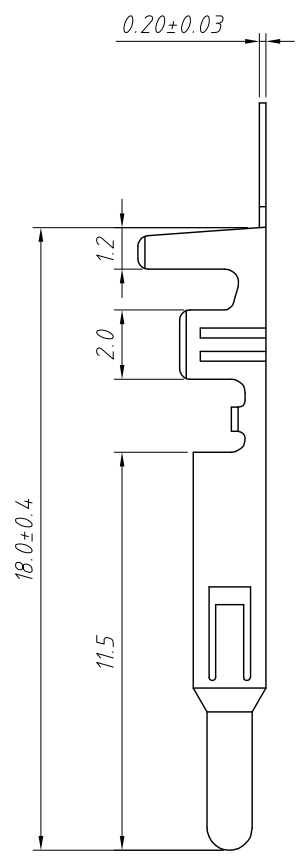
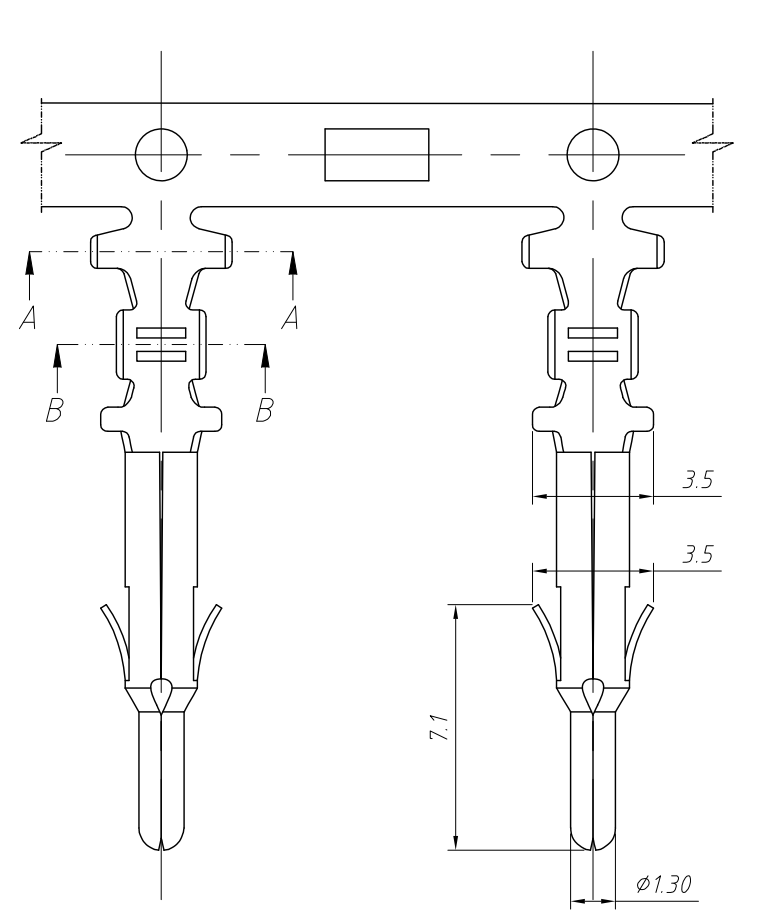


1
RoHS Compliance



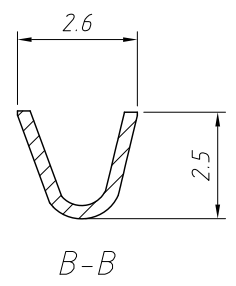
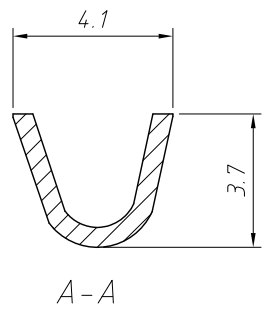
Material:
 Terminal: Phosphor Bronze
 Plating: Tin plated or Nickel
 Applicable wires: AWG #20 ~ # 26
 Insulation O.D.: 2.7mm
 Qty/reel: 4000 pcs

Electrical Characteristics:
 Rated Current: 10.0AMP
 Voltage rating: 300V AC, DC
 Temperature range: -25°C ~ + 85°C
 Insulator Resistance: 1000MΩ Min
 Withstanding Voltage: 1500V AC/minute
 Contact Resistance: 20mΩ Max

Order Information:
 L-KLS1-XM1-4.50-MT

L: RoHS
 Pitch: 4.50mm
 Type: _____

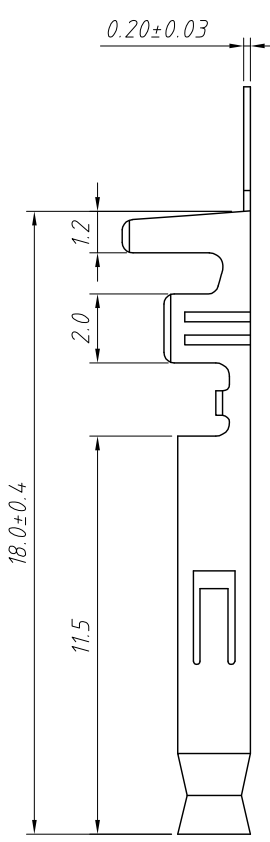
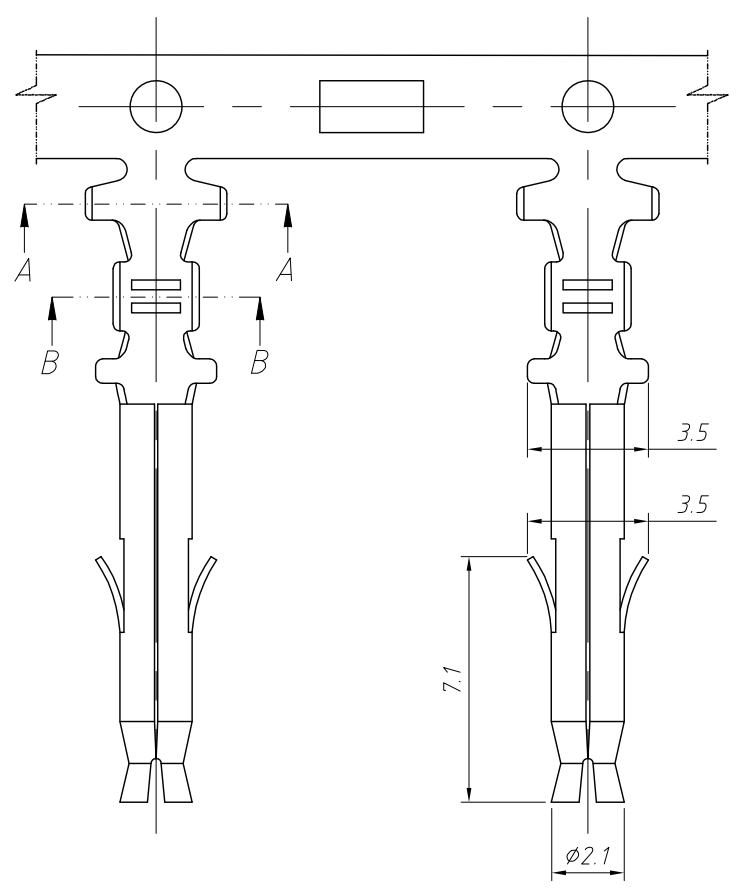
FH-Female Hosing MH-Male Hosing
 FT-Female Terminal MT-Male Terminal



ANGLE TOLERANCE	PROJECTION	Description:		
±3°		4.50mm Pitch JST EL 4501 4502 Wire To Wire Connector		
GENERAL TOLERANCE	UNITS	mm	KLS P/N:	L-KLS1-XM1-4.50-MT
x.x ±0.30	SHEET SIZE	A4		
x.xx ±0.20	Draw:	Daniel	2021-01-11	
x.xxx ±0.10	Check:	Daniel	2021-01-11	

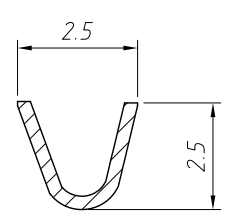
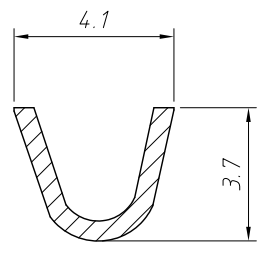
NingBo KLS ELECTRONIC CO.,L TD.

1
RoHS Compliance



Material:
 Terminal: Phosphor Bronze
 Plating: Tin plated or Nickel
 Applicable wires: AWG #20 ~ # 26
 Insulation O.D: 2.7mm
 Qty/reel: 4000 pcs

Electrical Characteristics:
 Rated Current: 10.0AMP
 Voltage rating: 300V AC, DC
 Temperature range: -25°C ~ + 85°C
 Insulator Resistance: 1000MΩ Min
 Withstanding Voltage: 1500V AC/minute
 Contact Resistance: 20mΩ Max



Order Information:
 L-KLS1-XM1-4.50-FT

L: RoHS
 Pitch: 4.50mm
 Type: _____
 FH-Female Hosing MH-Male Hosing
 FT-Female Terminal MT-Male Terminal

ANGLE TOLERANCE	PROJECTION	Description:		
±3°		4.50mm Pitch JST EL 4501 4502 Wire To Wire Connector		
GENERAL TOLERANCE	UNITS	mm	KLS P/N:	L-KLS1-XM1-4.50-FT
x.x ±0.30	SHEET SIZE	A4		
x.xx ±0.20	Draw:	Daniel	2021-01-11	
x.xxx ±0.10	Check:	Daniel	2021-01-11	

NingBo KLS ELECTRONIC CO.,L TD.